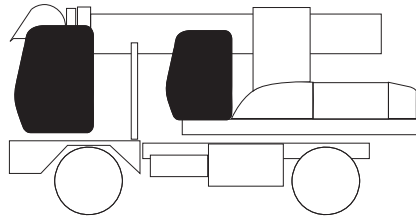
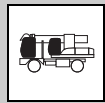


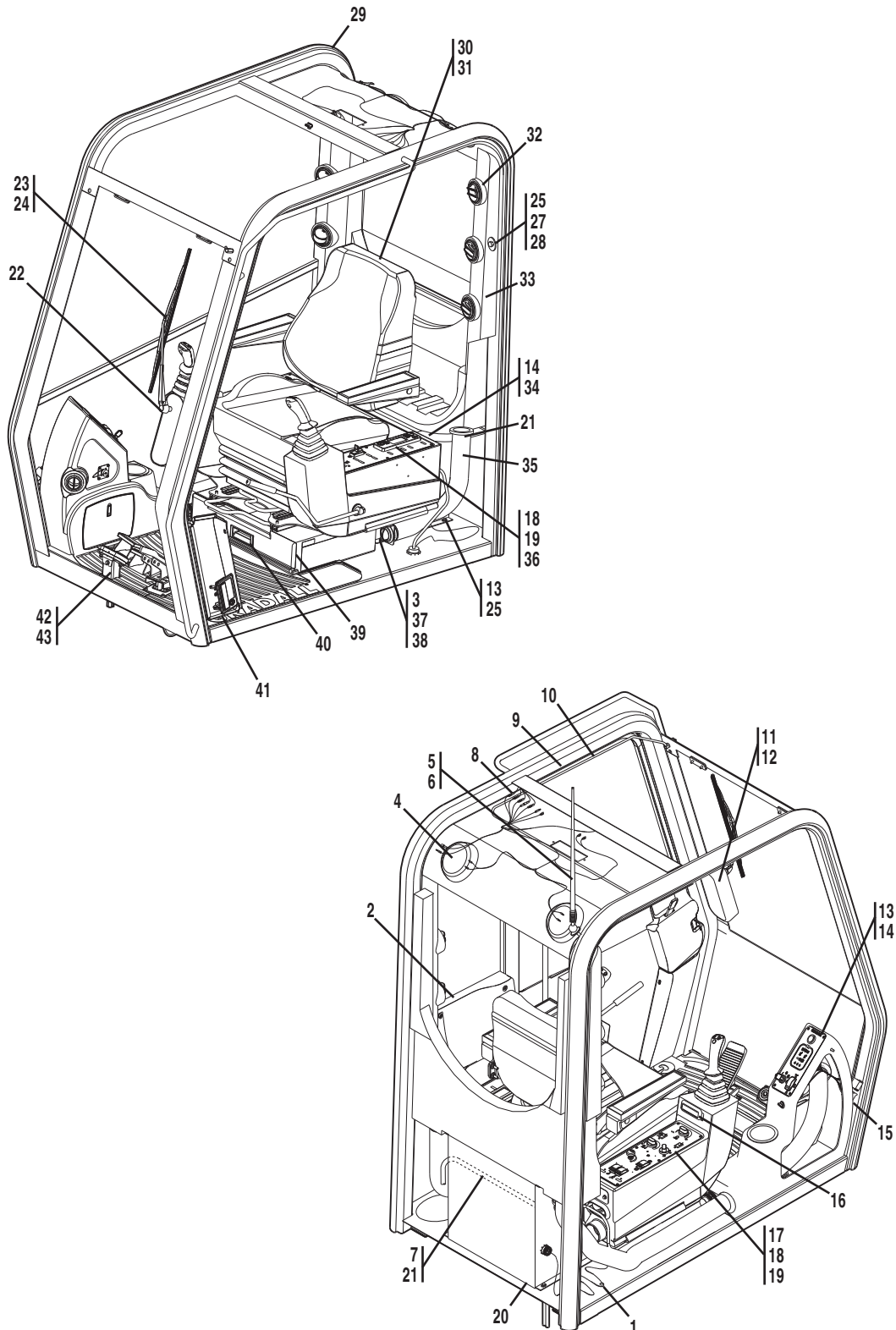
# SECTION 6 - CAB

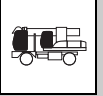




# CAB

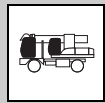
## Operators Cab Assembly, Upperstructure





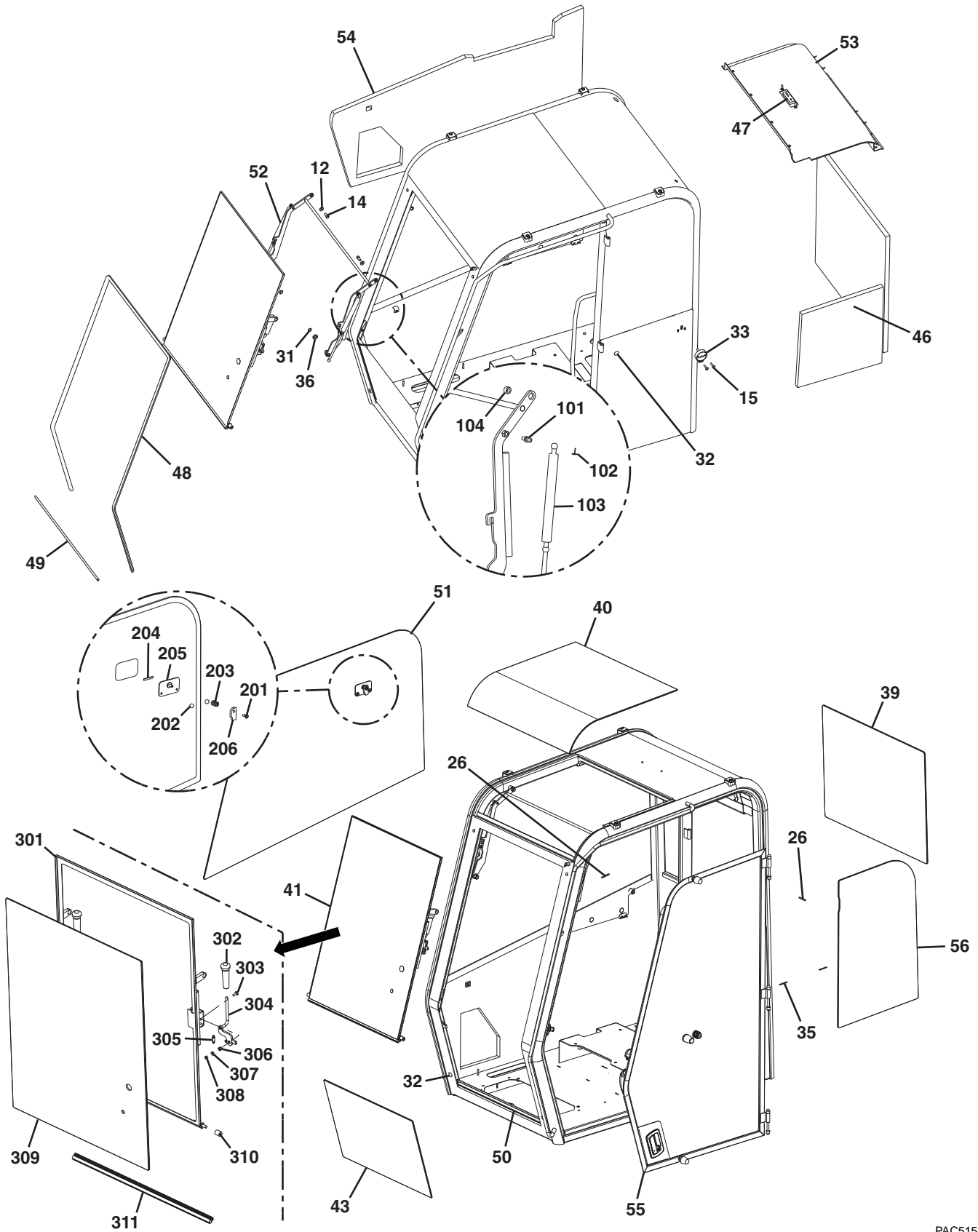
**Operators Cab Assembly, Upperstructure**

Item	Part Number	Qty.	Description	Rev.
	<i>Consult Factory</i>	Ref	OPERATORS CAB ASSY, UPPERSTRUCTURE, , (includes all items)	F1
1	77163117	1	GROMMET, 1/4 I.D.	
2	80363105	1	LATCH COVER	
3	88551009	1	LOCKWASHER, 1/4	
4	80263029	2	SPEAKER ASSY	
5	80263030	1	ANTENNA ASSY	
6	80363120	1	ANTENNA LEAD, 48"	
7	80763087	1	UPPER CAB HARNESS	
8	90028960	5	MALE SPADE TERMINAL, (insulated)	
9	80363122	1	WINDSHIELD WIPER HARNESS	
10	82033997	16'	HOSE	
11	86983193	1	MALE BULLET TERMINAL	
12	77163105	1	FEMALE BULLET TERMINAL	
13	80263012	4	WHIZ-LOCK SCREW, 1/4-20X3/4	
14	88561003	3	FLAT WASHER, 5/16	
15		Ref	UPPER CAB CONSOLE ELECTRIC ASSY, (see page 6-12 for details)	
16	80363107	2	LIGHT POD	
17		Ref	POD PANEL ELECTRICAL ASSY, R.H., (see page 6-14 for details)	
18	80363033	12	FLAT HD CAPSCREW, #10-24X1	
19	80363034	12	TINNERMAN NUT, #10-24	
20		Ref	EVAPORATOR & HEATER ASSY, (see page 6-34 for details)	
21	90027187	7	TY-RAP	
22	80763090	1	WINDSHIELD WIPER MOTOR	
23	80263080	1	WINDSHIELD WIPER HOLDER	
24	80363046	1	WINSHIELD WIPER BLADE	
25	88561002	5	FLAT WASHER, 1/4	
26	<i>Not Used</i>			
27	91083533	2	FENDER WASHER	
28	88521304	2	HEX LOCKNUT, 1/4-20	
29		1	OPERATORS CAB, UPPERSTRUCTURE, (see page 6-4 for details)	
30	80565003	1	CAB SEAT ASSY, (see page 6-18 for details)	
31	88212223	4	HEX SOCKET HD CAPSCREW, 5/16-18X1/2	
32	80363106	6	AIR DIFFUSER VENT	
33	80363193	1	AIR PLENUM	
34	77143013	2	WHIZ-LOCK NUT, 1/4-20	
35	71492152	3'	AIR HOSE, 2-1/2", (sold in 6' sections)	
36		Ref	POD PANEL ELECTRICAL ASSY, L.H., (see page 6-14 for details)	
37	88201005	1	HEX HD CAPSCREW, 1/4-20X1, GR5	
38	88561107	1	FLAT WASHER, 1/4	
39	80363059	1	CAB STORAGE DRAWER	
40	80363060	1	CAB DRAWER LATCH	
41	80563003	1	FLOOR MAT	
42		Ref	FOOT PEDAL PLATE ASSY, (see page 7-6 for details)	
43	80261029	6	BUTTON HD CAPSCREW, 3/8-16X1	

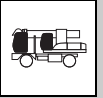


# CAB

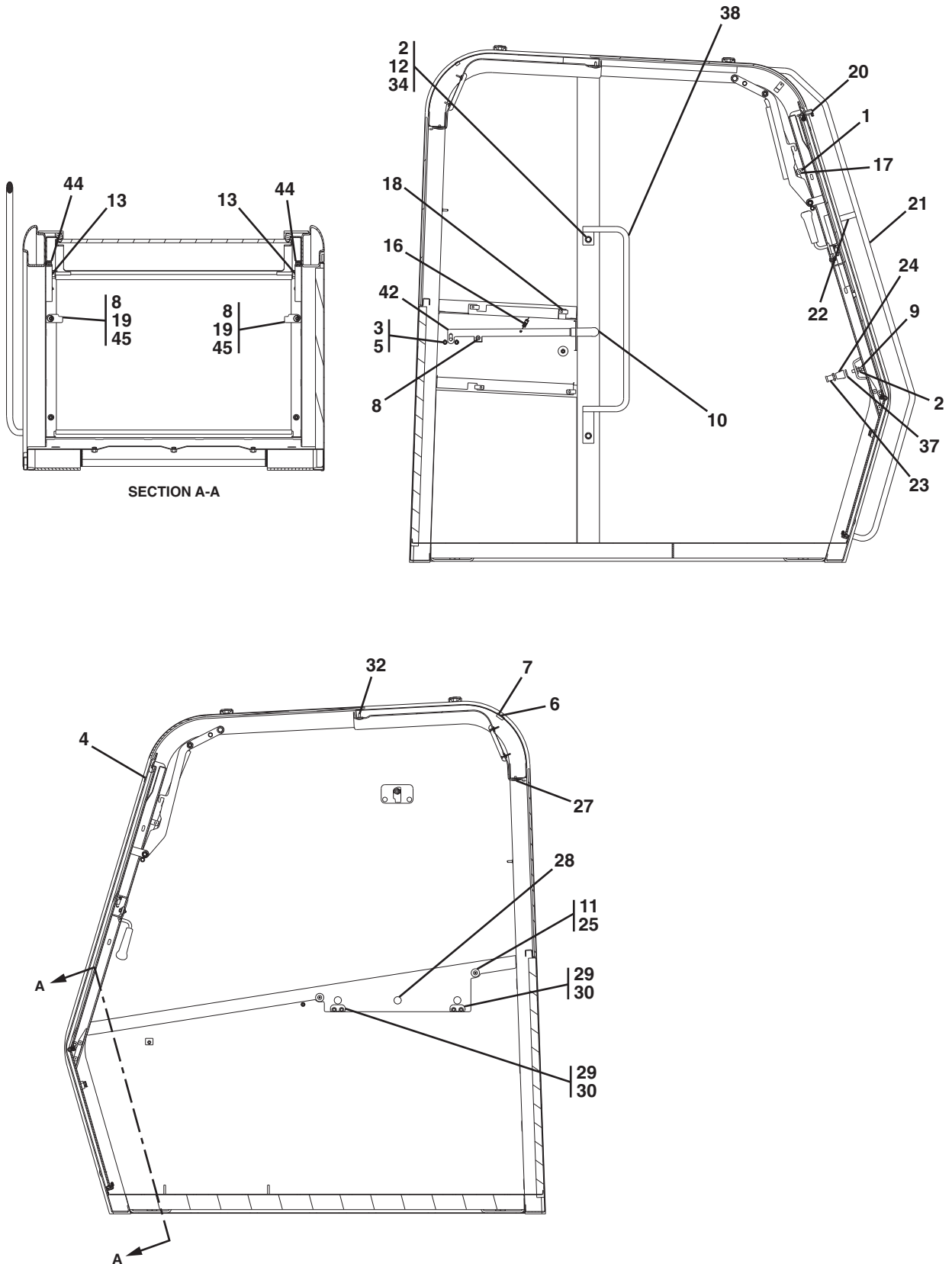
## Operators Cab, Upperstructure



PAC5152



Operators Cab, Upperstructure

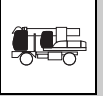




# CAB

## Operators Cab, Upperstructure

Item	Part Number	Qty.	Description	Rev.
	80763086	1	OPERATORS CAB, UPPERSTRUCTURE, (includes all items)	B
1	80264098	2	WASHER	
2	80364021	3	LOCKWASHER, 3/8	
3	80364042	2	FLAT WASHER	
4	80514028	2	HOLE PLUG	
5	91344040	4	HEX LOCKNUT, 1/4-20	
6	80764172	1	ROUND PLUG	
7	80264071	1	ROUND PLUG	
8	80264059	3	SHOULDER BOLT, 5/16-18X3/4	
9	91334017	1	HEX HD CAPSCREW, 3/8-16X1-1/4, GR8	
10	80364148	1	GRIP	
11	80364028	2	FLAT WASHER	
12	80364037	4	FELT WASHER	
13	80264053	4	TORX HD SCREW, 1/4-20X3/4	
14	80364036	2	HEX HD CAPSCREW, 3/8-16X3/4, GR5	
15	91344017	2	TORX SCREW, 1/4-20X1.25, GR5	
16	80264058	1	SPRING	
17	80264097	2	STUD	
18	80464037	4	HEX NUT, 1/4-20	
19	80364018	3	COMPRESSION SPRING	
20	83683103	1	WASHER NOZZLE KIT, (includes nozzle, washer, rubber washer & nut)	
21	80384342	1	GRAB RAIL	
22	80384343	1	GRAB RAIL POST	
23	80364023	1	STRIKER, 3/8-16	
24	80364022	1	STRIKER BOLT GUARD	
25	80264069	2	INSIDE RELEASE KNOB	
26	80264031	7	SETTING BLOCK, 1/8X1/4X2	
27	80514006	2	FASTENER	
28	80364029	3	BUMPER	
29	91334005	2	WINDOW CLIP	
30	80514024	4	SCREW, #10-32	
31	80364058	2	RETAINING RING	
32	80364052	8	FASTENER	
33	80364044	1	DOOR RETAINER	
34	80464034	2	HEX BOLT, .38-16X1, GR5	
35	80514217	2	SETTING BLOCK	
36	80364057	2	WASHER	
37	80514004	2	FLAT WASHER	
38	80364038	1	GRAB RAIL WELDMENT	
39	80364033	1	REAR WINDOW	
40	80384198	1	SKYLIGHT	
41	80364007	1	FRONT WINDOW ASSY, (includes items 301 thru 311)	
42	80364043	1	HOLD OPEN LEVER	
43	80364002	1	FRONT LOWER WINDOW	
44	80364015	2	BOTTOM RAIL INSERT	
45	80364017	3	LATCH BLOCK	
46	80764173	1	FOAM GROUP	
47	80764126	1	DOME LIGHT, 24V, (includes bulb)	
	80764128	1	BULB	



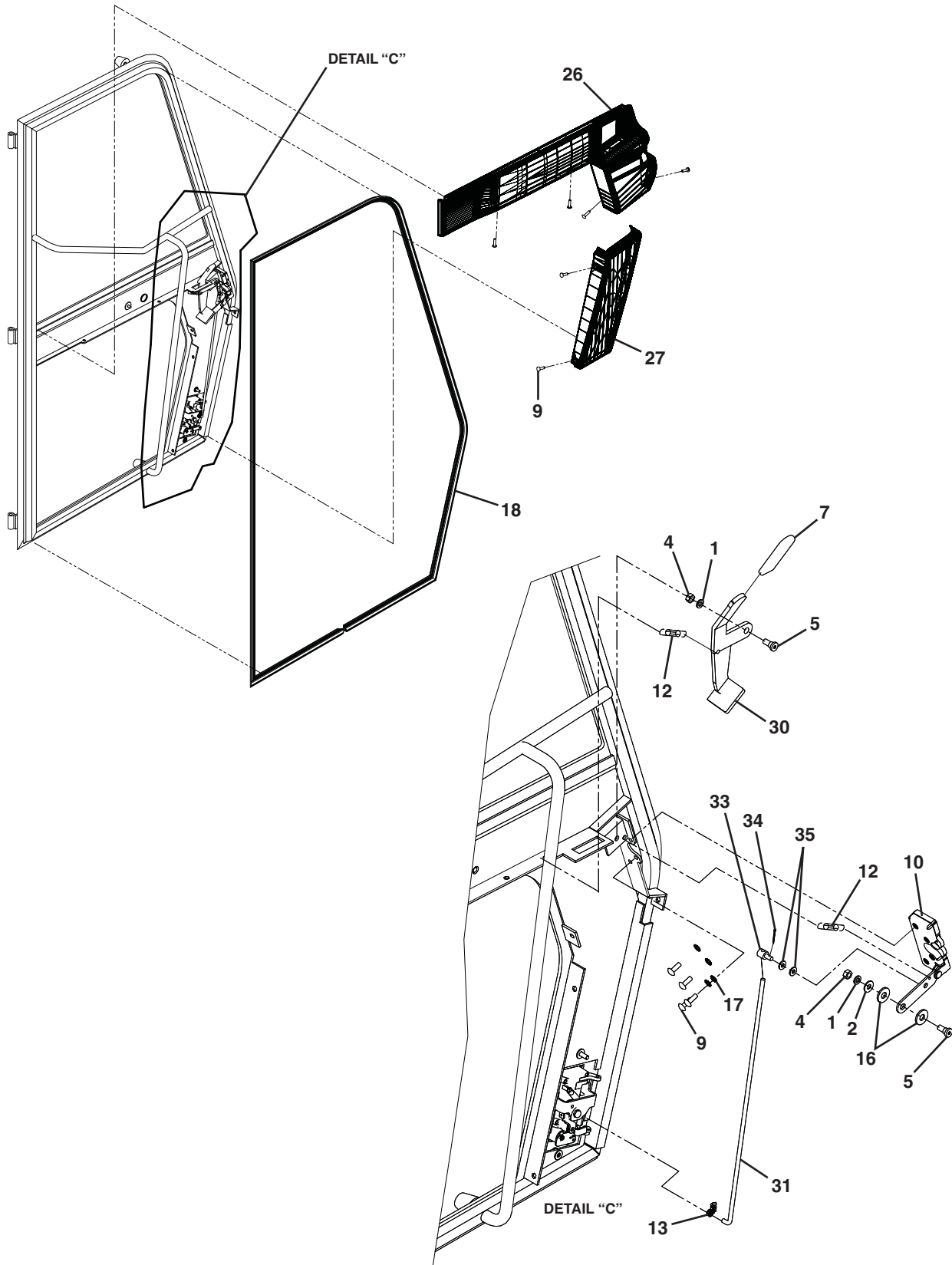
**Operators Cab, Upperstructure**

Item	Part Number	Qty.	Description	Rev.
48	80764175	1	FRONT GLASS SEAL	
49	80764176	1	LOWER WINDOW EDGE TRIM	
50	80764183	1	LOWER WINDOW SEAL	
51	80764177	1	R.H. WINDOW PANEL ASSY, (includes items 201 thru 206)	
52	80764178	1	LINK WELDMENT ASSY, (includes items 101 thru 104)	
53	80384195	1	HEADLINER ASSY, (includes item 47)	
54	80514018	1	RIGHT SIDE FOAM	
55		Ref	DOOR ASSY, (see page 6-8 for details)	
56	80364030	1	WINDOW, L.H. SIDE	
101	80264097	2	STUD	
102	80264095	4	CLIP	
103	80264096	2	GAS SPRING, (100 lb.)	
104	80364056	2	BUSHING	
201	80264059	1	SHOULDER BOLT, 5/16-18X3/4	
202	80364024	2	BUMPER, 5/8 O.D., (60 durometer)	
203	80364018	1	COMPRESSION SPRING	
204	80264031	1	SETTING BLOCK, 1/8X1/4X2	
205	80364025	1	TOP STORAGE BRACKET WELDMENT	
206	80364017	1	LATCH BLOCK	
301	80364014	1	WINDOW FRAME WELDMENT	
302	80364059	2	KNOB	
303	80264053	2	TORX HD SCREW, 1/4-20X3/4	
304	80364061	1	WINDOW LATCH HANDLE WELDMENT, L.H., (shown in illustration)	
	80364060	1	WINDOW LATCH HANDLE WELDMENT, R.H., (not illustrated)	
305	80364064	2	SPRING	
306	80364062	2	BUSHING	
307	80364063	2	FLAT WASHER	
308	91344040	2	HEX LOCKNUT, 1/4-20	
309	80364008	1	FRONT WINDOW (glass only)	
310	80264094	2	FRONT WINDOW ROLLER, L.H.	
311	80364221	1	FRONT WINDOW LEDGE SEAL	



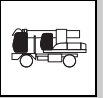
# CAB

## Operators Cab Door, Upperstructure

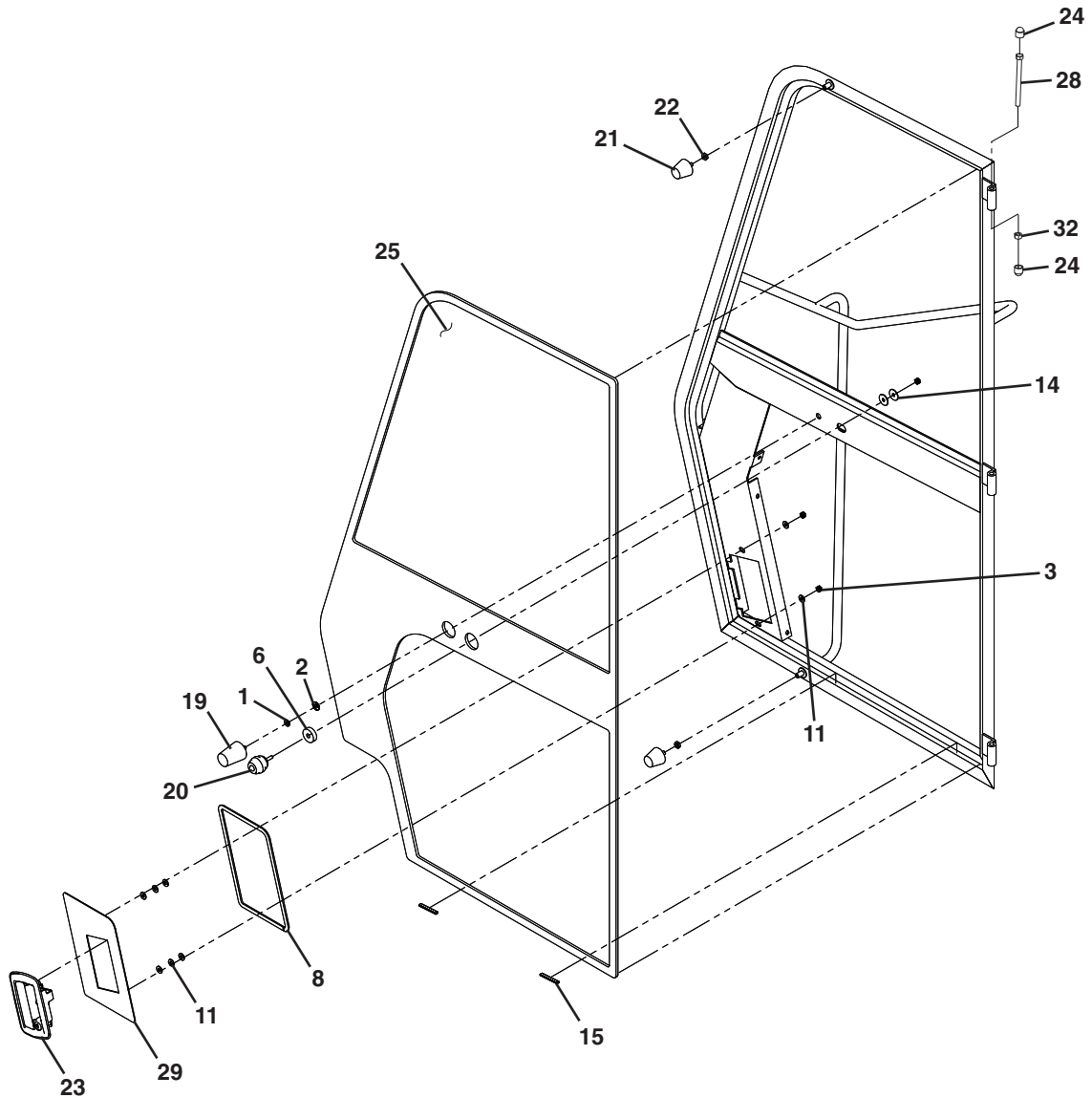


PAC1822





Operators Cab Door, Upperstructure

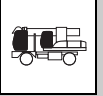




# CAB

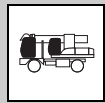
## Operators Cab Door, Upperstructure

Item	Part Number	Qty.	Description	Rev.
	80514017	1	OPERATORS CAB DOOR ASSY, UPPERSTRUCTURE, (includes all items)	
1	80264098	3	LOCKWASHER	
2	91334032	2	FLAT WASHER	
3	80264072	2	HEX NUT, 1/4-20	
4	91334031	2	HEX NUT, .31-18	
5	80264059	2	SHOULDER BOLT	
6	80364141	1	SHOCK MOUNT BUSHING	
7	80364148	1	BLACK PLASTIC GRIP	
8	80464053	1	RELEASE MOUNT SEAL	
9	80264053	10	BOLT	
10	91344037	1	R.H. CAM LATCH	
11	80364063	8	FLAT WASHER	
12	80264058	2	BLACK TENSION SPRING	
13	80384185	1	ROD END RETAINER CLIP	
14	80264082	2	FLAT WASHER	
15	80514217	2	SETTING BLOCK	
16	80514041	2	FLAT WASHER	
17	80514219	4	WASHER	
18	80464054	1	DOOR SEAL	
19	91404300	1	RUBBER BUMPER	
20	80364140	1	MALE DOOR RETAINER	
21	80364199	2	RUBBER BUMPER	
22	80514036	2	JAM NUT	
23	80384184	1	PADDLE LATCH W/KEY	
	91144470	1	PADDLE LATCH KEY	
24	80364004	6	HEX CAP	
25	80364138	1	DOOR WINDOW, (1 piece)	
26	80364146	1	DOOR COVER, (upper plastic)	
27	80364147	1	DOOR COVER, (lower plastic)	
28	80384205	3	HEX BOLT	
29	80364142	1	RELEASE MOUNT WELDMENT	
30	80364144	1	DOOR HANDLE	
31	80514042	1	LATCH CONNECTOR ROD	
32	80364006	3	HEX NUT	
33	80514039	1	SWIVEL, 1/4-28 THREAD	
34	80514079	1	COTTER PIN	
35	80364042	2	FLAT WASHER	



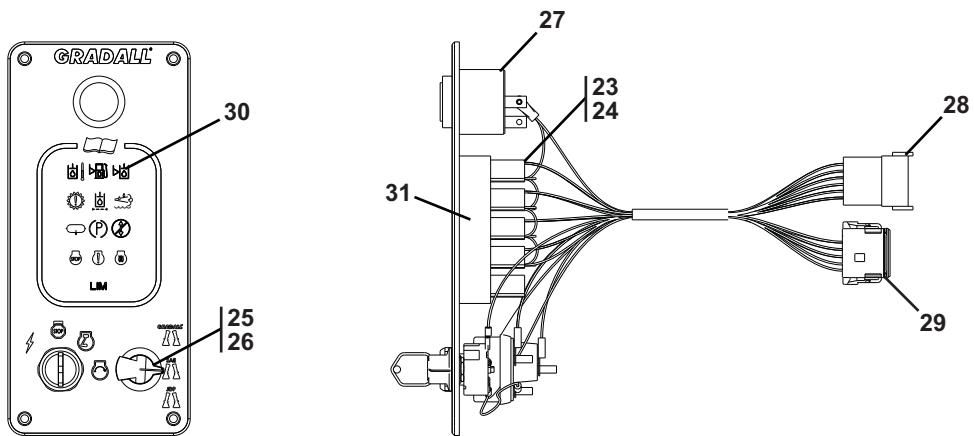
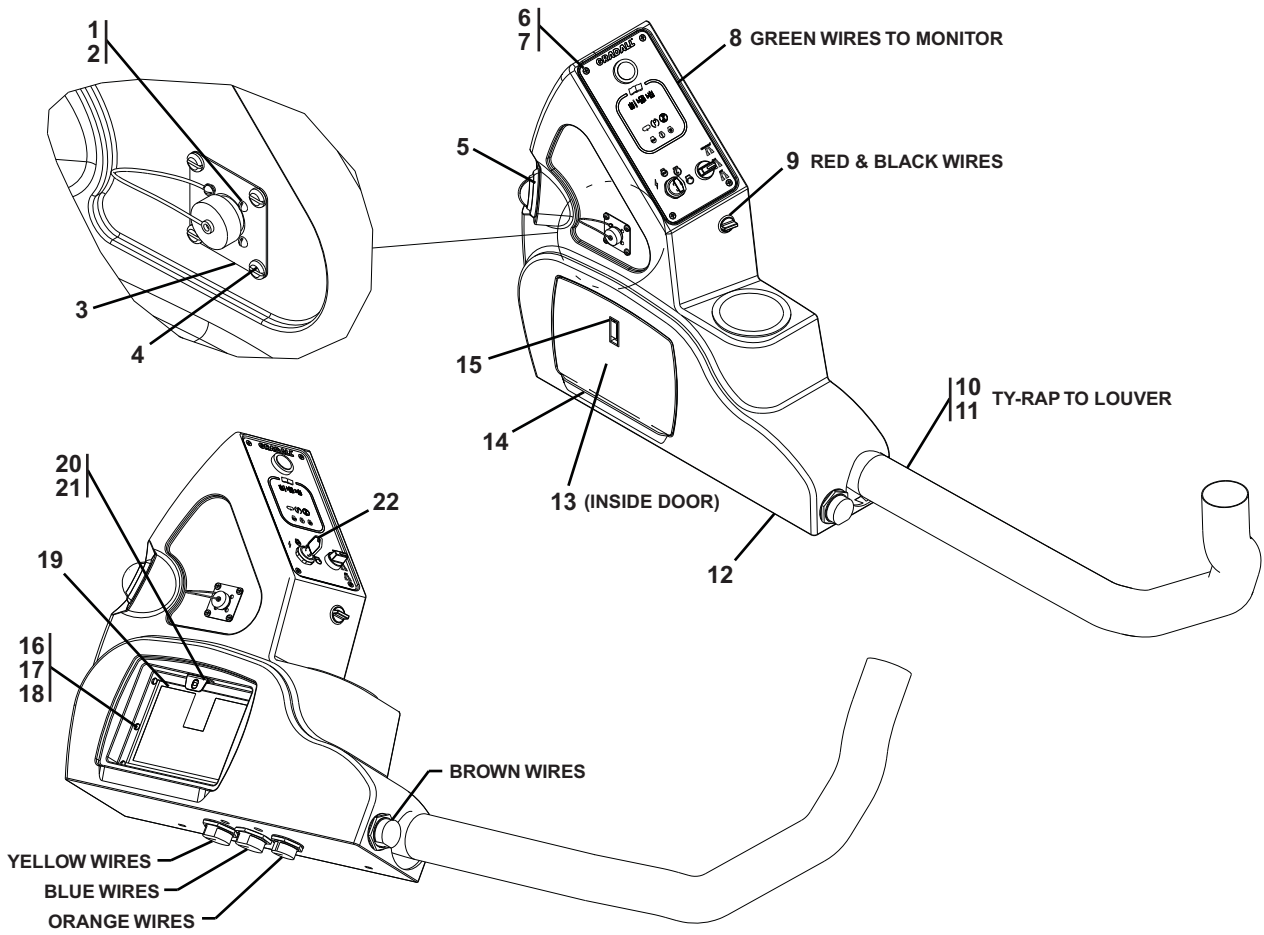
**Operators Cab Door, Upperstructure**

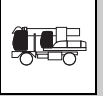
Item	Part Number	Qty.	Description	Rev.



# CAB

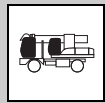
## Operators Cab Console, Upperstructure





**Operators Cab Console, Upperstructure**

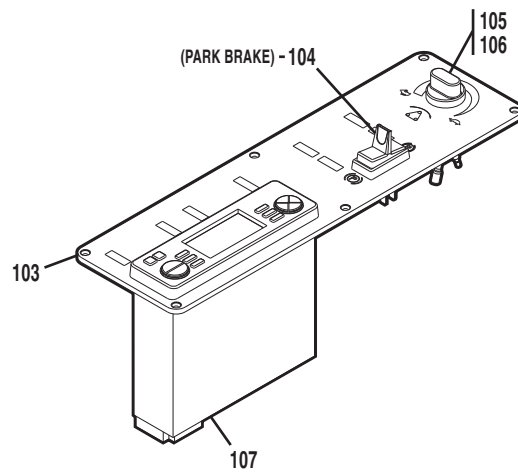
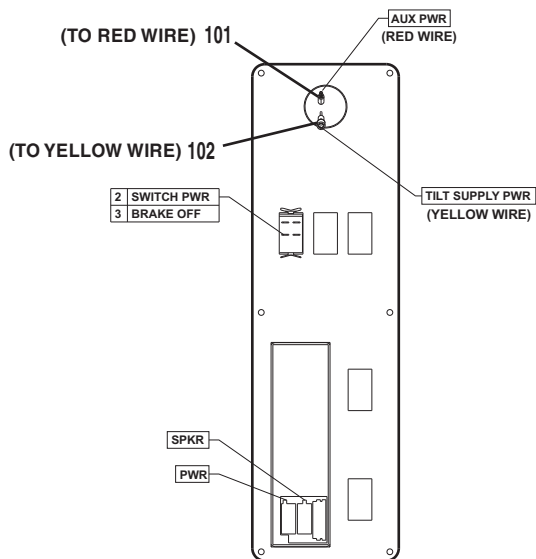
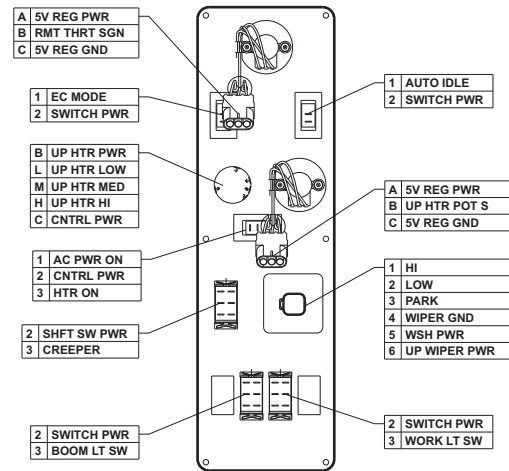
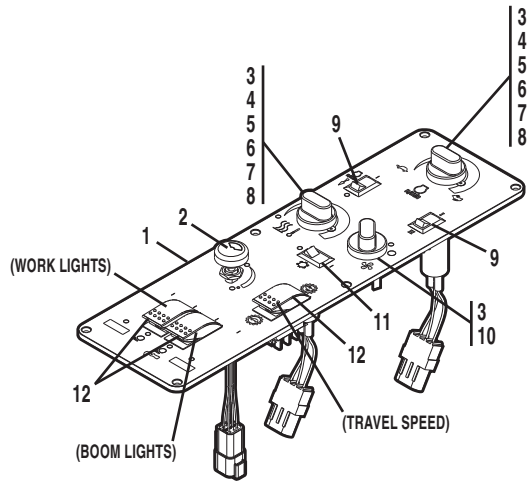
Item	Part Number	Qty.	Description	Rev.
1	88501604	4	HEX NUT, #4-40	
2	83301023	4	ROUND HD MACHINE SCREW, #4-40X3/8	
3	80461205	1	DIAGNOSTIC CONNECTOR BRACKET	
4	80373157	4	SCREW, #8-32, (plastite)	
5	80363229	1	AIR PLENUM LOUVER	
6	80363033	4	FLAT HD CAPSCREW, #10-24X1	
7	80363034	4	TINNERMAN NUT, #10-24	
8	80763144	1	ELECTRICAL MONITOR ASSY, (includes items 22 thru 31)	A
9	80363244	1	POWER SUPPLY, (12 volt)	
10	71492152	70"	AIR HOSE, 2-1/2", (sold in 6' sections)	
11	4240018	1	TIE-STRAP CABLE	
12	0861796	1	CAB CONSOLE BOX	
13	80763098	1	FUSE IDENTIFICATION DECAL	
14	80363039	1	CONSOLE DOOR	
15	80363066	1	LATCH	
16	80363185	6	WASHER, 7/32, (nylon), (thick)	
17	88501612	6	HEX NUT, #10-24	
18	88302093	6	ROUND HD MACHINE SCREW, #10-24X3/4, GR8	
19		1	PRINTED CIRCUIT BOARD, (see page 10-18 for details)	
20	80361020	1	LATCH PLATE RECEIVER	
21	88321030	2	SELF-TAPPING SCREW, #10-24X1/2	
22	91033317	1	IGNITION SWITCH	
	77384578	1	IGNITION SWITCH KEY	
23	7026437	13	LAMP SOCKET	
24	7026438	26	TERMINAL	
25	80764060	1	3-POSITION ROTARY SWITCH, (does not include knob)	
26	80764061	1	ROTARY SWITCH KNOB	
27	77383433	1	MINI SIREN	
28	80363178	1	CONNECTOR	
29	91504046	1	CONNECTOR	
30	80784082	12	BULB, 24V	
31	80384485	1	BULB HOUSING	



# CAB

Before S/N's  
 XL3100IV - 3120000294 (4x2); 3140000340 (4x4)  
 XL4100IV - 4100000602 (6x4); 4160000061 (6x6)  
 XL5100IV - 5100000603 (6x4 & 6x6)

## Pod Panel Assemblies, Upperstructure



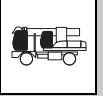
Before S/N's

XL3100IV - 3120000294 (4x2); 3140000340 (4x4)

XL4100IV - 4100000602 (6x4); 4160000061 (6x6)

XL5100IV - 5100000603 (6x4 & 6x6)

CAB



**Pod Panel Assemblies, Upperstructure**

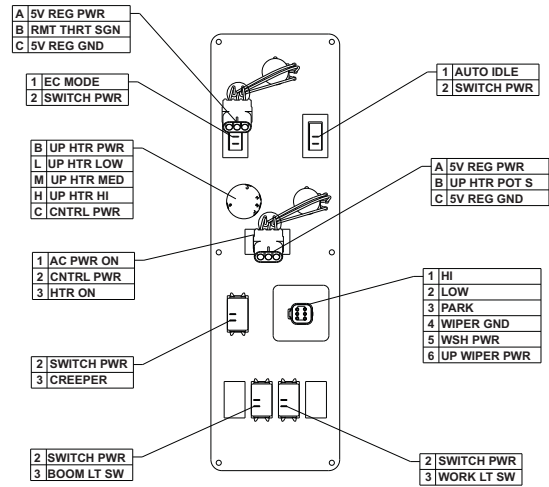
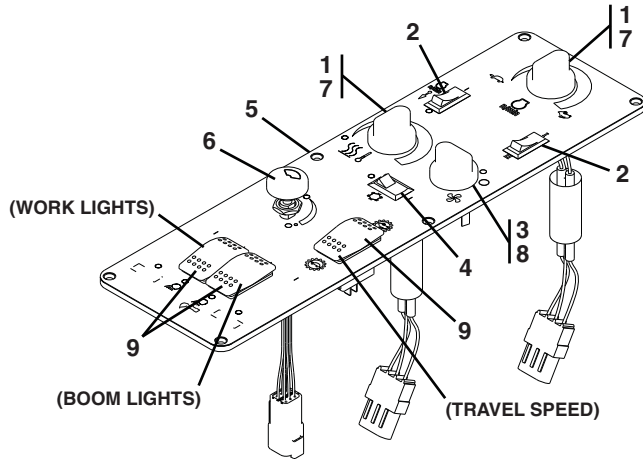
Item	Part Number	Qty.	Description	Rev.
	80765055	1	POD PANEL ELECTRICAL ASSY, R.H., (includes items 1 thru 12) (no longer available; order 80765070 (located on page 6-16) for complete pod panel replacement)	A
1	1671253	1	R.H. POD PANEL COVER	
2	80765051	1	INTERMITTENT WIPER SWITCH ASSY, (includes the following items)	
	80763081	1	INTERMITTENT WIPER & WASHER SWITCH	
	91503103	1	DEUTSCH 6-PIN RECEPTACLE CONNECTOR	
	91503104	1	DEUTSCH 6-PIN LOCKING WEDGE	
	80463057	6	DEUTSCH CONTACT	
3	80363069	3	KNOB	
4	80765073	2	POTENTIOMETER SERVICE KIT, (includes qty. 1 of item 1 & qty 1 of item 7 on page 6-16)	-
5	88241014	4	FLAT HD SOCKET SCREW, #6-32X5/8	
6	88501608	4	HEX NUT, #6-32	
7	88561103	4	FLAT WASHER, #6	
8	88691387	2	WIRE HARNESS CLAMP	
9	80363030	2	MINI ROCKER SWITCH	
10	80964001	1	BLOWER SWITCH	
11	80363157	1	MINI ROCKER SWITCH	
12	91403304	3	ROCKER SWITCH	
	80565005	1	POD PANEL ELECTRICAL ASSY, L.H., (includes items 101 thru 107)	D
101	86983193	1	MALE BULLET TERMINAL	
102	77163105	1	FEMALE BULLET TERMINAL	
103	1671254	1	L.H. POD PANEL COVER	
104	80363111	1	CONTURA PADDLE SWITCH	
105	80363029	1	KNOB	
106	80964002	1	RHEOSTAT SWITCH	
107	80963314	1	VDO STEREO	



# CAB

After (& including) S/N's  
 XL3100IV - 3120000294 (4x2); 3140000340 (4x4)  
 XL4100IV - 4100000602 (6x4); 4160000061 (6x6)  
 XL5100IV - 5100000603 (6x4 & 6x6)

## Pod Panel Assemblies, Upperstructure

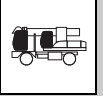


NOTE: THE L.H. ARM POD FOR THIS SERIAL NUMBER RANGE IS STILL 80565005, LOCATED ON PREVIOUS PAGE.



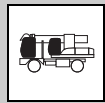
After (& including) S/N's  
 XL3100IV - 3120000294 (4x2); 3140000340 (4x4)  
 XL4100IV - 4100000602 (6x4); 4160000061 (6x6)  
 XL5100IV - 5100000603 (6x4 & 6x6)

CAB



**Pod Panel Assemblies, Upperstructure**

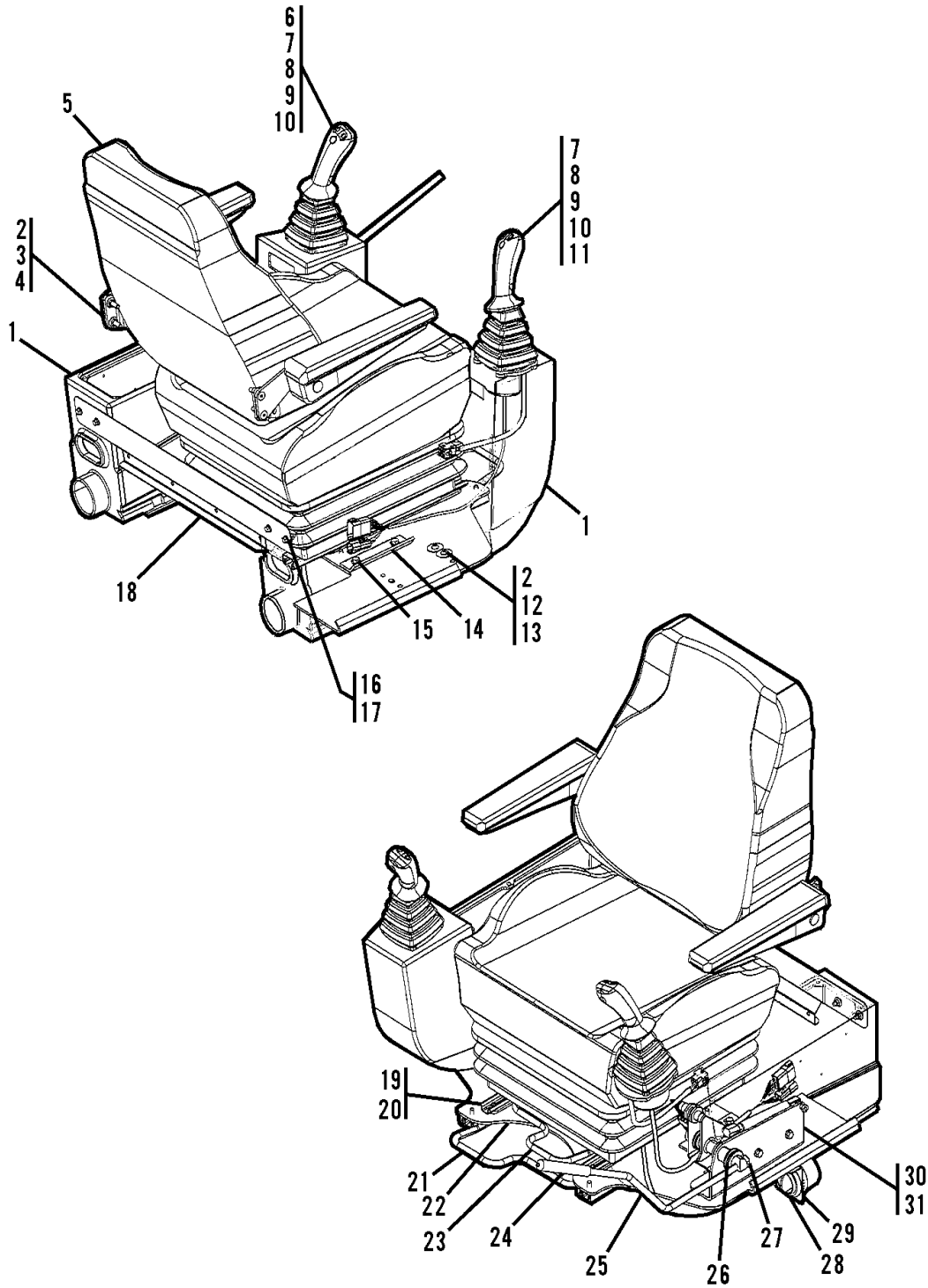
Item	Part Number	Qty.	Description	Rev.
	80765070	1	POD PANEL ELECTRICAL ASSY, R.H., (includes items 1 thru 9)	-
1	80363029	2	KNOB	
2	80363030	2	MINI ROCKER SWITCH	
3	80363069	1	KNOB	
4	80363157	1	MINI ROCKER SWITCH	
5	80763149	1	R.H. POD PANEL COVER	
6	80765051	1	INTERMITTENT WIPER SWITCH ASSY, (includes the following items)	
	80763081	1	INTERMITTENT WIPER & WASHER SWITCH	
	91503103	1	DEUTSCH 6-PIN RECEPTACLE CONNECTOR	
	91503104	1	DEUTSCH 6-PIN LOCKING WEDGE	
	80463057	6	DEUTSCH CONTACT	
7	80765069	2	POTENTIOMETER ASSY, (10k ohms w/resistors), (includes the following items)	-
	80563012	1	POTENTIOMETER, (10k, 27mm rotary)	
	80563013	1	POTENTIOMETER HARNESS	
8	80964001	1	BLOWER SWITCH	
9	91403304	3	ON-OFF SWITCH	



# CAB

Before S/N's  
 XL3100IV - 3120000309 (4x2); 3140000347 (4x4)  
 XL4100IV - 4100000621 (6x4); 4160000066 (6x6)  
 XL5100IV - 5100000605 (6x4 & 6x6)

## Operators Cab Seat Assembly (cloth), Upperstructure



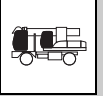
Before S/N's

XL3100IV - 3120000309 (4x2); 3140000347 (4x4)

XL4100IV - 4100000621 (6x4); 4160000066 (6x6)

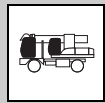
XL5100IV - 5100000605 (6x4 & 6x6)

**CAB**



**Operators Cab Seat Assembly (cloth), Upperstructure**

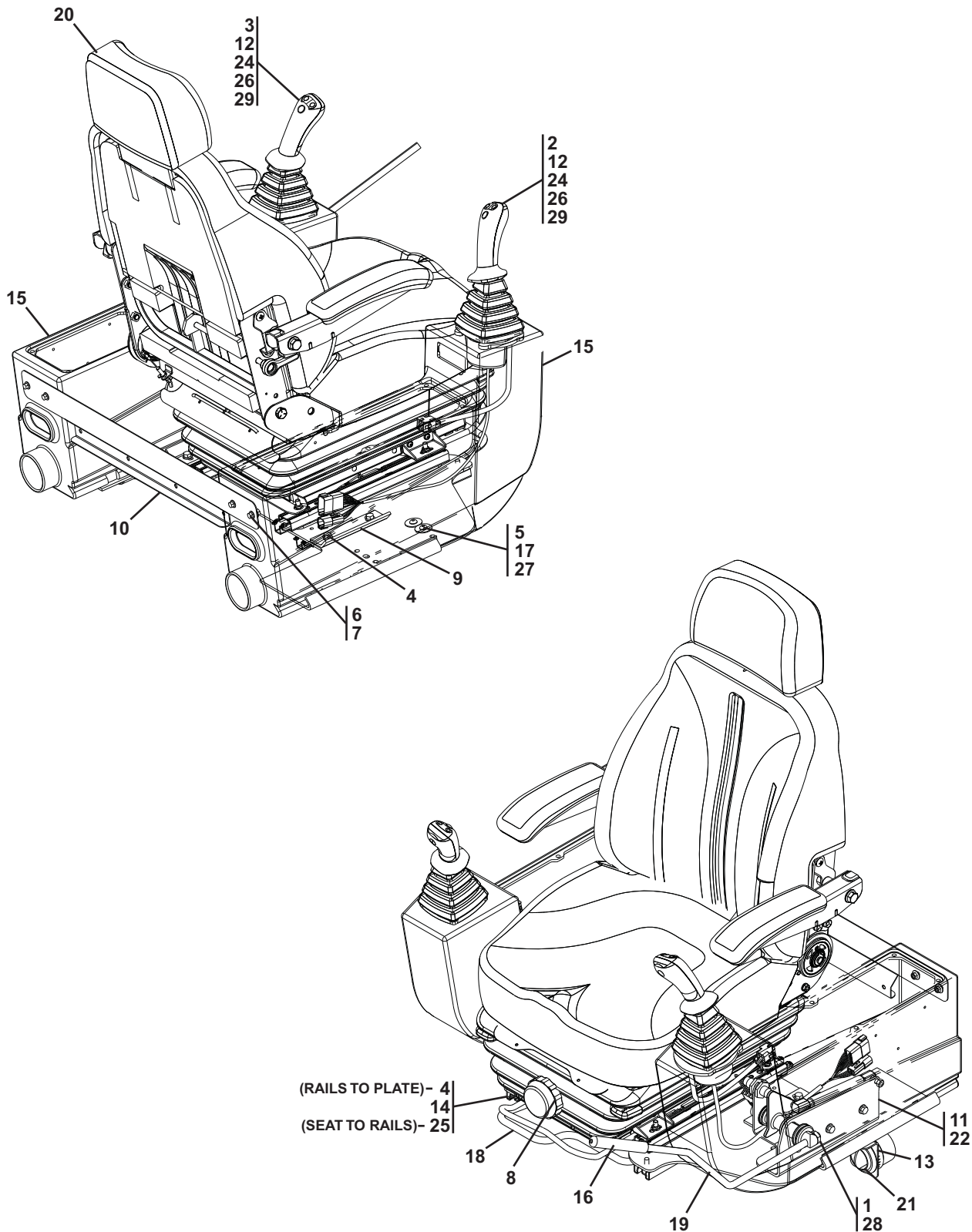
Item	Part Number	Qty.	Description	Rev.
1	80363006	2	POD ARM	
2	77143006	6	WHIZ-LOK NUT, 5/16-18	
3	88241043	4	SOCKET HD SHOULDER BOLT, 1/2X2-1/2, (10-24 thread)	
4	80361021	2	SEAT ARM MOUNT PLATE	
5		Ref	OPERATORS CAB SEAT, (see page 6-24 for details)	
6	88561002	8	FLAT WASHER, 1/4	
7	88551009	8	LOCKWASHER, 1/4	
8	88211042	8	HEX SOCKET HD CAPSCREW, 1/4-20X1, GR8	
9	80361043	2	TAPPED PLATE	
10	1600426	1	L.H. JOYSTICK ASSY	
11	1600425	1	R.H. JOYSTICK ASSY	
12	88261024	2	BUTTON HD CAPSCREW, 5/16-18X1	
13	91023098	2	FENDER WASHER, 11/32X1-1/4	
14	80361002	2	ANGLE CLAMP	
15	77143003	4	WHIZ-LOK SCREW, 5/16-18X5/8	
16	80263012	4	WHIZ-LOK SCREW, 1/4-20X3/4	
17	77143013	4	WHIZ-LOCK NUT, 1/4-20	
18	80361003	1	HARNESS SUPPORT	
19	88212223	8	HEX SOCKET HD CAPSCREW, 5/16-18X1/2	
20	80363005	1	SLIDE RAIL KIT	
21	80363062	1	BOTTOM SLIDE RELEASE LEVER	
22	80361001	1	FORMED SEAT PLATE	
23	80363061	1	TOP SLIDE RELEASE LEVER	
24	80363045	1	RUBBER GRIP	
25	80363083	1	BAR LEVER	
26	85131075	1	GROMMET	
27	88501108	1	HEX JAM NUT, 1/2-13	
28	80363229	1	AIR PLENUM LOUVER	
29	80361100	1	LOUVER BRACKET	
30		Ref	PILOT CUT-OFF SWITCH ASSY, (see page 6-30 for details)	
31	91363018	4	WHIZ-LOK SCREW, 5/16-18X1	



# CAB

After (& including) S/N's  
 XL3100IV - 3120000309 (4x2); 3140000347 (4x4)  
 XL4100IV - 4100000621 (6x4); 4160000066 (6x6)  
 XL5100IV - 5100000605 (6x4 & 6x6)

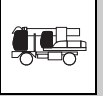
## Operators Cab Seat Assembly (cloth), Upperstructure



PAC13140  
 PAC13150

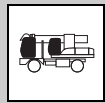
After (& including) S/N's  
 XL3100IV - 3120000309 (4x2); 3140000347 (4x4)  
 XL4100IV - 4100000621 (6x4); 4160000066 (6x6)  
 XL5100IV - 5100000605 (6x4 & 6x6)

**CAB**



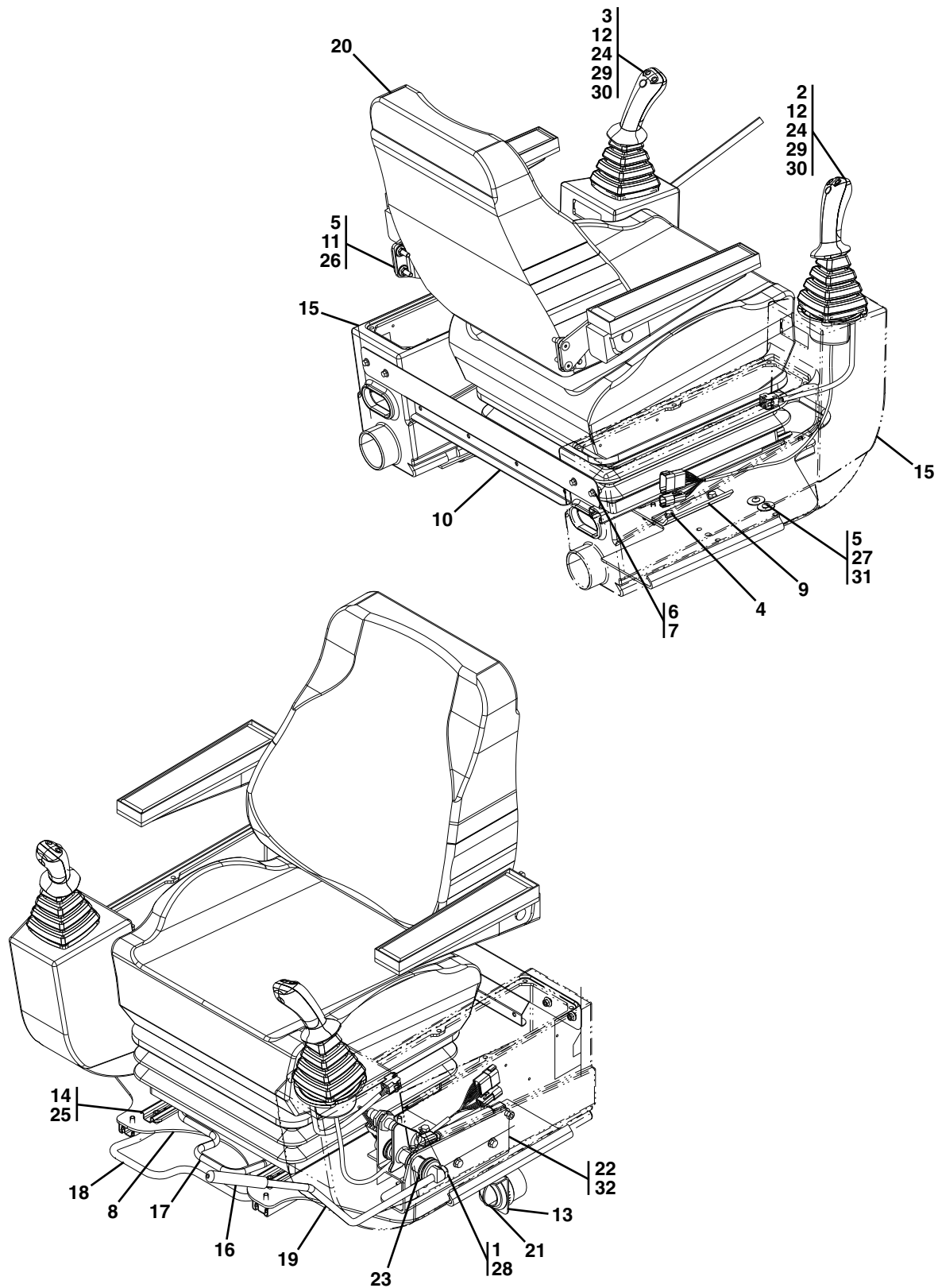
**Operators Cab Seat Assembly (cloth), Upperstructure**

Item	Part Number	Qty.	Description	Rev.
1	14403364	A/R	LOCTITE, 242 BLUE	
2	1600425	1	R.H. JOYSTICK ASSY	
3	1600426	1	L.H. JOYSTICK ASSY	
4	77143003	8	WHIZ-LOK SCREW, 5/16-18X5/8	
5	77143006	2	WHIZ-LOK NUT, 5/16-18	
6	77143013	4	WHIZ-LOK NUT, 1/4-20	
7	80263012	4	WHIZ-LOK SCREW, 1/4-20X1/2	
8	80361001	1	FORMED SEAT PLATE	
9	80361002	2	CLAMP ANGLE	
10	80361003	1	HARNESS SUPPORT	
11	91363018	4	WHIZ-LOK SCREW, 5/16-18X1	
12	80361043	2	TAPPED PLATE	
13	80361100	1	LOUVER BRACKET	
14	80763153	1	6" TRACK SET	
15	80363006	2	ARM POD	
16	80363045	1	RUBBER GRIP	
17	91023098	2	FENDER WASHER	
18	80363062	1	BOTTOM SLIDE RELEASE LEVER	
19	80363083	1	BAR LEVER	
20		Ref	SEAT, (see page 6-24 for details)	
21	80363229	1	AIR PLENUM LOUVER	
22		Ref	PILOT CUT-OFF ASSY, (see page 6-30 for details)	
23	85131075	1	GROMMET, 1" I.D.	
24	88211042	8	SOCKET HD CAPSCREW, 1/4-20X1	
25	88212223	4	SOCKET HD CAPSCREW, /16-18X1/2	
26	88561002	8	FLAT WASHER, 1/4	
27	88261024	2	BUTTON HD SCREW, 5/16-18X1	
28	88501108	1	HEAVY HEX JAM NUT, 1/2-13	
29	88551009	8	LOCKWASHER, 1/4	

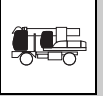


# CAB

## Operators Cab Seat Assembly (vinyl), Upperstructure

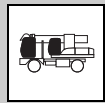


PAE13450



**Operators Cab Seat Assembly (vinyl), Upperstructure**

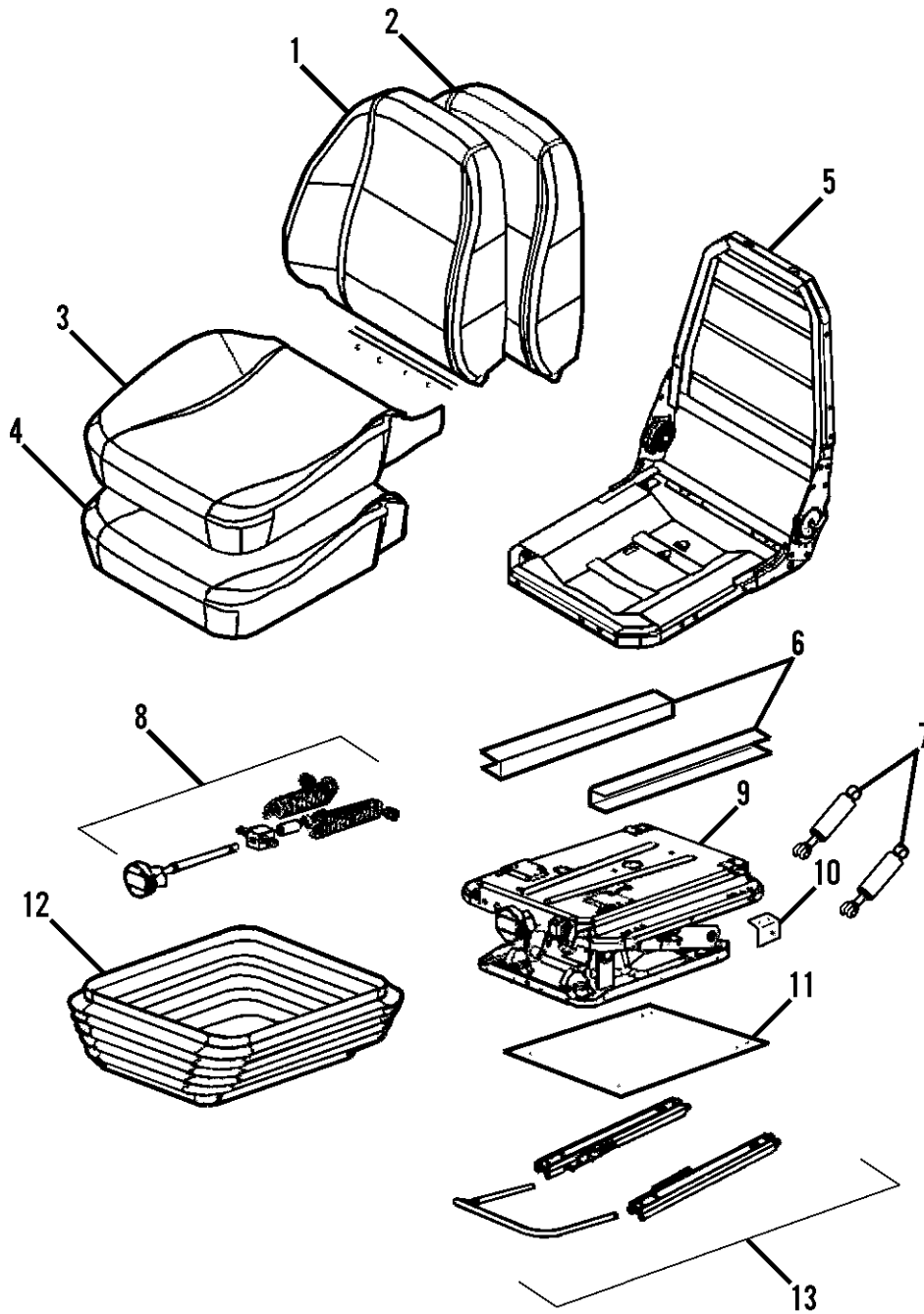
Item	Part Number	Qty.	Description	Rev.
1	14403364	A/R	LOCTITE, 242 BLUE	
2	1600425	1	R.H. JOYSTICK ASSY	
3	1600426	1	L.H. JOYSTICK ASSY	
4	77143003	4	WHIZ-LOK SCREW, 5/16-18X5/8	
5	77143006	6	WHIZ-LOK NUT, 5/16-18	
6	77143013	4	WHIZ-LOK NUT, 1/4-20	
7	80263012	4	WHIZ-LOK SCREW, 1/4-20X1/2	
8	80361001	1	FORMED SEAT PLATE	
9	80361002	2	CLAMP ANGLE	
10	80361003	1	HARNESS SUPPORT	
11	80361021	2	SEAT ARM MOUNT PLATE	
12	80361043	2	TAPPED PLATE	
13	80361100	1	LOUVER BRACKET	
14	80363005	1	SLIDE RAIL KIT	
15	80363006	2	ARM POD	
16	80363045	1	RUBBER GRIP	
17	80363061	1	TOP SLIDE RELEASE LEVER	
18	80363062	1	BOTTOM SLIDE RELEASE LEVER	
19	80363083	1	BAR LEVER	
20		Ref	OPERATORS CAB SEAT, (see page 6-28 for details)	
21	80363229	1	AIR PLENUM LOUVER	
22		Ref	PILOT CUT-OFF SWITCH ASSY, (see page 6-30 for details)	
23	85131075	1	GROMMET, 1" I.D.	
24	88211042	8	SOCKET HD CAPSCREW, 1/4-20X1	
25	88212223	8	SOCKET HD CAPSCREW, /16-18X1/2	
26	88241043	4	FLAT HEAD SOCKET SET SCREW, 5/16-18X1-1/2	
27	88261024	2	BUTTON HD SCREW, 5/16-18X1	
28	88501108	1	HEAVY HEX JAM NUT, 1/2-13	
29	88551009	8	LOCKWASHER, 1/4	
30	88561002	8	FLAT WASHER, 1/4	
31	91023098	2	FENDER WASHER	
32	91363018	4	WHIZ-LOK SCREW, 5/16-18X1	



# CAB

Before S/N's  
XL3100IV - 3120000309 (4x2); 3140000347 (4x4)  
XL4100IV - 4100000621 (6x4); 4160000066 (6x6)  
XL5100IV - 5100000605 (6x4 & 6x6)

## Operators Cab Seat (cloth), Upperstructure





Before S/N's

XL3100IV - 3120000309 (4x2); 3140000347 (4x4)

XL4100IV - 4100000621 (6x4); 4160000066 (6x6)

XL5100IV - 5100000605 (6x4 & 6x6)

**CAB**



**Operators Cab Seat (cloth), Upperstructure**

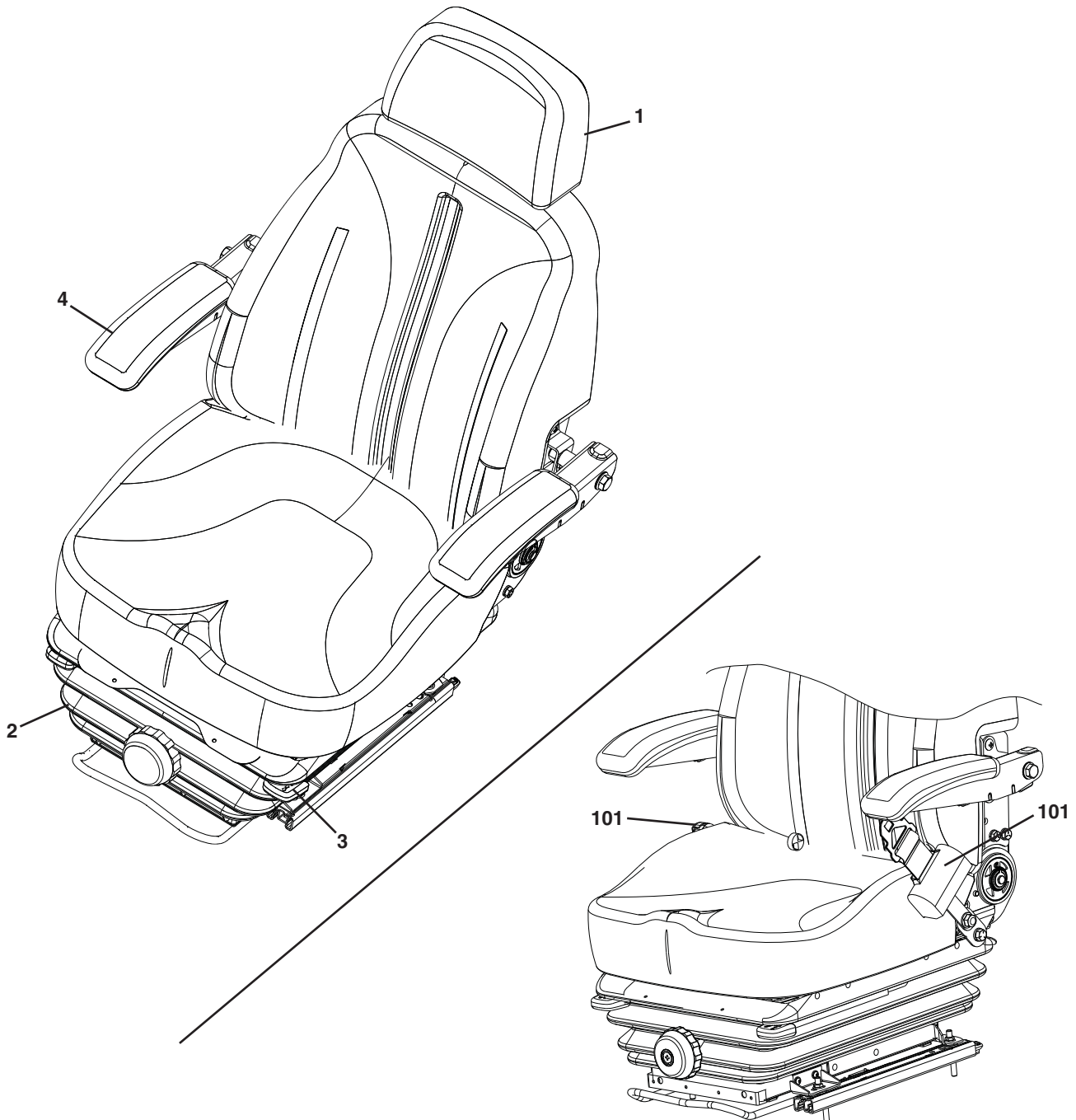
Item	Part Number	Qty.	Description	Rev.
	80363223	1	OPERATORS CAB SEAT, UPPER, (cloth), (includes all items), (no longer available. For complete seat replacement, order seat 80763152 located on page 6-26).	A
1	80264003	1	SEAT BACK COVER	
2	80264002	1	SEAT BACK FOAM	
3	80264005	1	SEAT BOTTOM COVER	
4	80264004	1	SEAT BOTTOM FOAM	
5	80364183	1	SEAT FRAME	
6	80364184	1	SEAT MOUNTING CHANNEL, R.H.	
	80364185	1	SEAT MOUNTING CHANNEL, L.H.	
7	80364186	1	DAMPER KIT	
8	80364187	1	WEIGHT ADJUSTER KIT	
9	80364188	1	SUSPENSION	
10	80364189	1	SEAT BELT BRACKET, R.H.	
	80364190	1	SEAT BELT BRACKET, L.H.	
11	80364191	1	SLIDERAIL MOUNTING BRACKET	
12	80364192	1	SUSPENSION COVER	
13	80363005	1	SLIDERAIL KIT	
14	80364175	2	ARM REST, (not illustrated; includes 2 arm rests)	
15	80264126	1	HEAD REST, (cloth), (not illustrated)	



# CAB

After (& including) S/N's  
XL3100IV - 3120000309 (4x2); 3140000347 (4x4)  
XL4100IV - 4100000621 (6x4); 4160000066 (6x6)  
XL5100IV - 5100000605 (6x4 & 6x6)

## Operators Cab Seat (cloth), Upperstructure



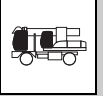
IF YOUR SEAT IS EQUIPPED WITH AN ORANGE SEAT BELT, USE ITEM 101 FOR SERVICE.

IF YOUR SEAT IS EQUIPPED WITH A BLACK SEAT BELT, USE PAGE 12-100 FOR SERVICE PARTS IDENTIFICATION.

PAE5531

After (& including) S/N's  
 XL3100IV - 3120000309 (4x2); 3140000347 (4x4)  
 XL4100IV - 4100000621 (6x4); 4160000066 (6x6)  
 XL5100IV - 5100000605 (6x4 & 6x6)

**CAB**



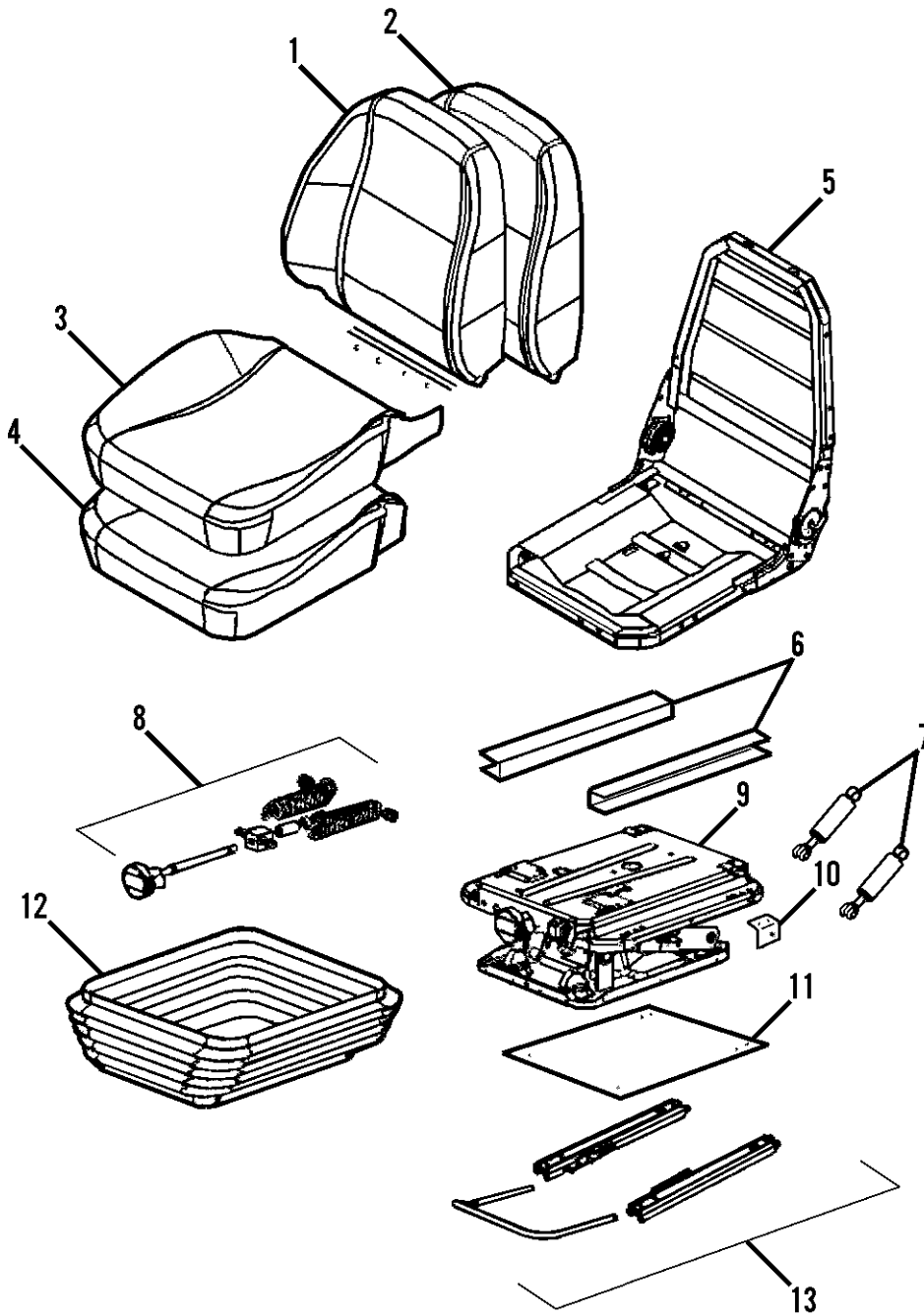
**Operators Cab Seat (cloth), Upperstructure**

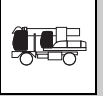
Item	Part Number	Qty.	Description	Rev.
1	80763152	1	OPERATORS CAB SEAT, (includes all items)	B
	80764162	1	HEAD REST, (gray)	
	80764219	1	HEAD REST, (black)	
2	80764163	1	SUSPENSION ASSY	
3	80764164	1	HEIGHT ADJUSTMENT HANDLE	
4	80764165	1	ARM REST (SET OF 2)	
101	80764205	1	ORANGE SEAT BELT KIT, (includes retractor, buckle & hardware)	



# CAB

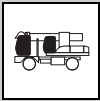
## Operators Cab Seat (vinyl), Upperstructure





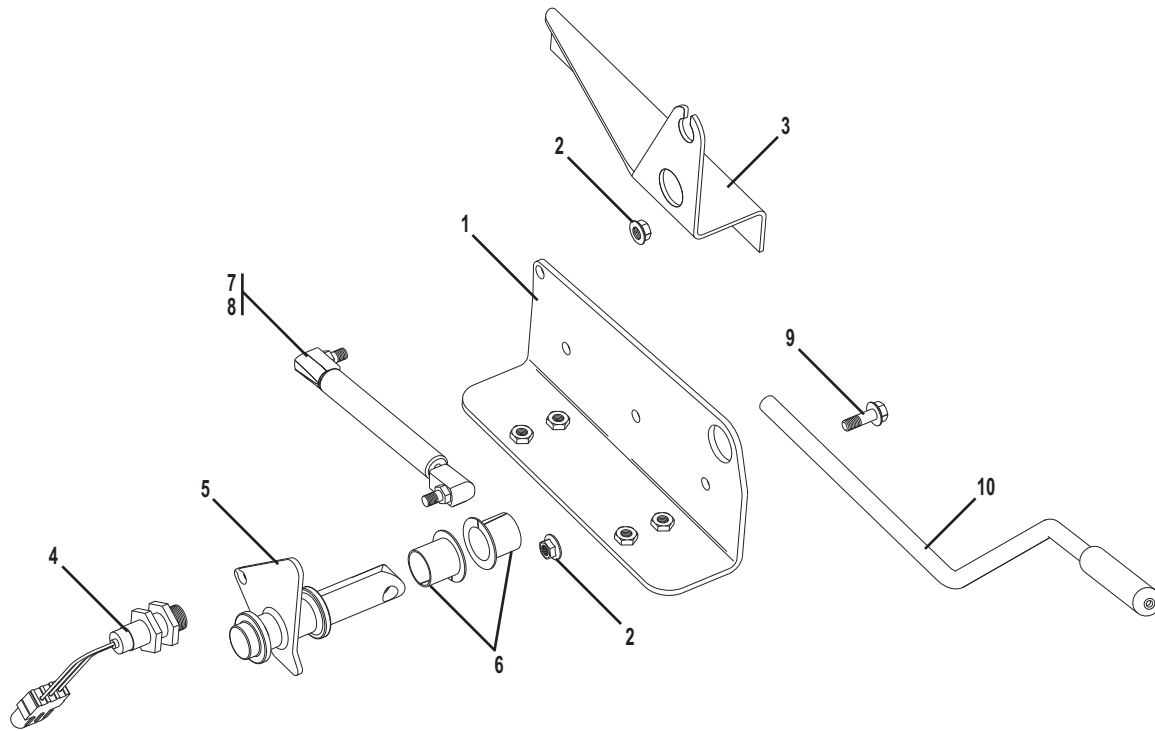
**Operators Cab Seat (vinyl), Upperstructure**

Item	Part Number	Qty.	Description	Rev.
	80763129	1	OPERATORS CAB SEAT, UPPER, (black vinyl), (includes all items)	-
1	80264003	1	SEAT BACK COVER	
2	80264002	1	SEAT BACK FOAM	
3	80264005	1	SEAT BOTTOM COVER	
4	80264004	1	SEAT BOTTOM FOAM	
5	80364183	1	SEAT FRAME	
6	80364184	1	SEAT MOUNTING CHANNEL, R.H.	
	80364185	1	SEAT MOUNTING CHANNEL, L.H.	
7	80364186	1	DAMPER KIT	
8	80364187	1	WEIGHT ADJUSTER KIT	
9	80364188	1	SUSPENSION	
10	80364189	1	SEAT BELT BRACKET, R.H.	
	80364190	1	SEAT BELT BRACKET, L.H.	
11	80364191	1	SLIDERAIL MOUNTING BRACKET	
12	80364192	1	SUSPENSION COVER	
13	80363005	1	SLIDERAIL KIT	
14	80364175	2	ARM REST, (not illustrated; includes 2 arm rests)	
15	80764157	1	HEAD REST, (black vinyl), (not illustrated)	

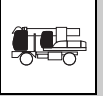


CAB

### Pilot Cut-off Assembly, Upperstructure



PAC0551



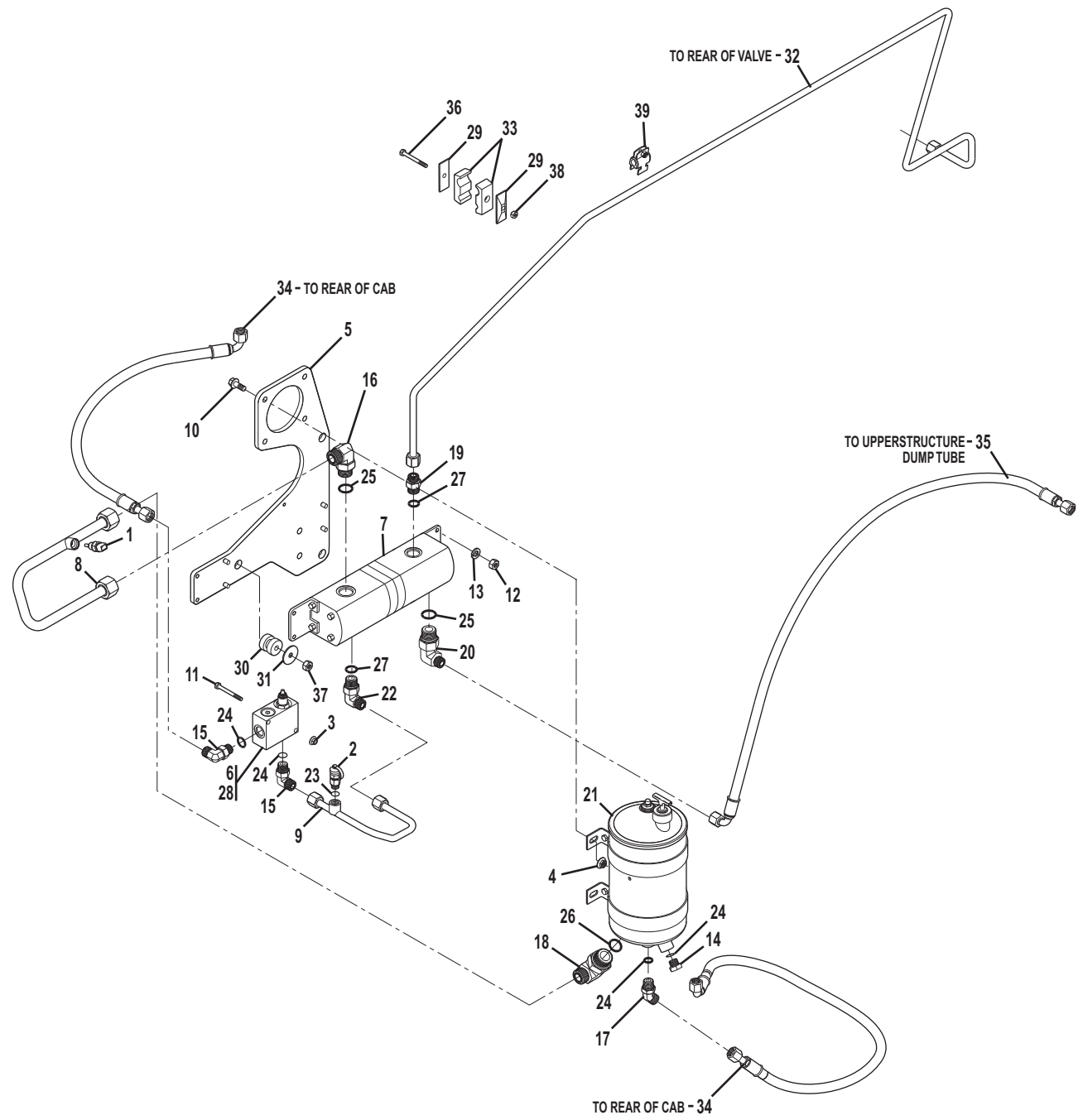
**Pilot Cut-off Assembly, Upperstructure**

Item	Part Number	Qty.	Description	Rev.
1	80361026	1	OUTSIDE MOUNT BRACKET	
2	77143006	5	WHIZ-LOK NUT, 5/16-18	
3	80361093	1	INSIDE MOUNT BRACKET	
4	80363166	1	PROXIMITY SENSOR	
5	80363210	1	PIVOT LEVER	
6	80363043	2	BUSHING	
7	80363037	1	GAS SPRING	
8	80363082	2	BALL STUD	
9	91363018	3	WHIZ-LOK SCREW, 5/16-18X1	
10		Ref	BAR LEVER & RUBBER GRIP, (see page 6-2 for details)	

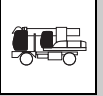


# CAB

## Cab Heater Installation, Upperstructure





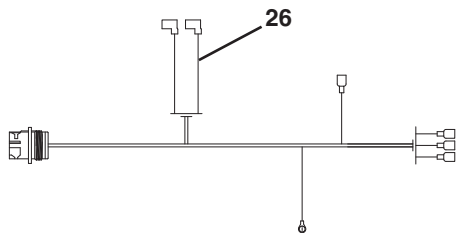
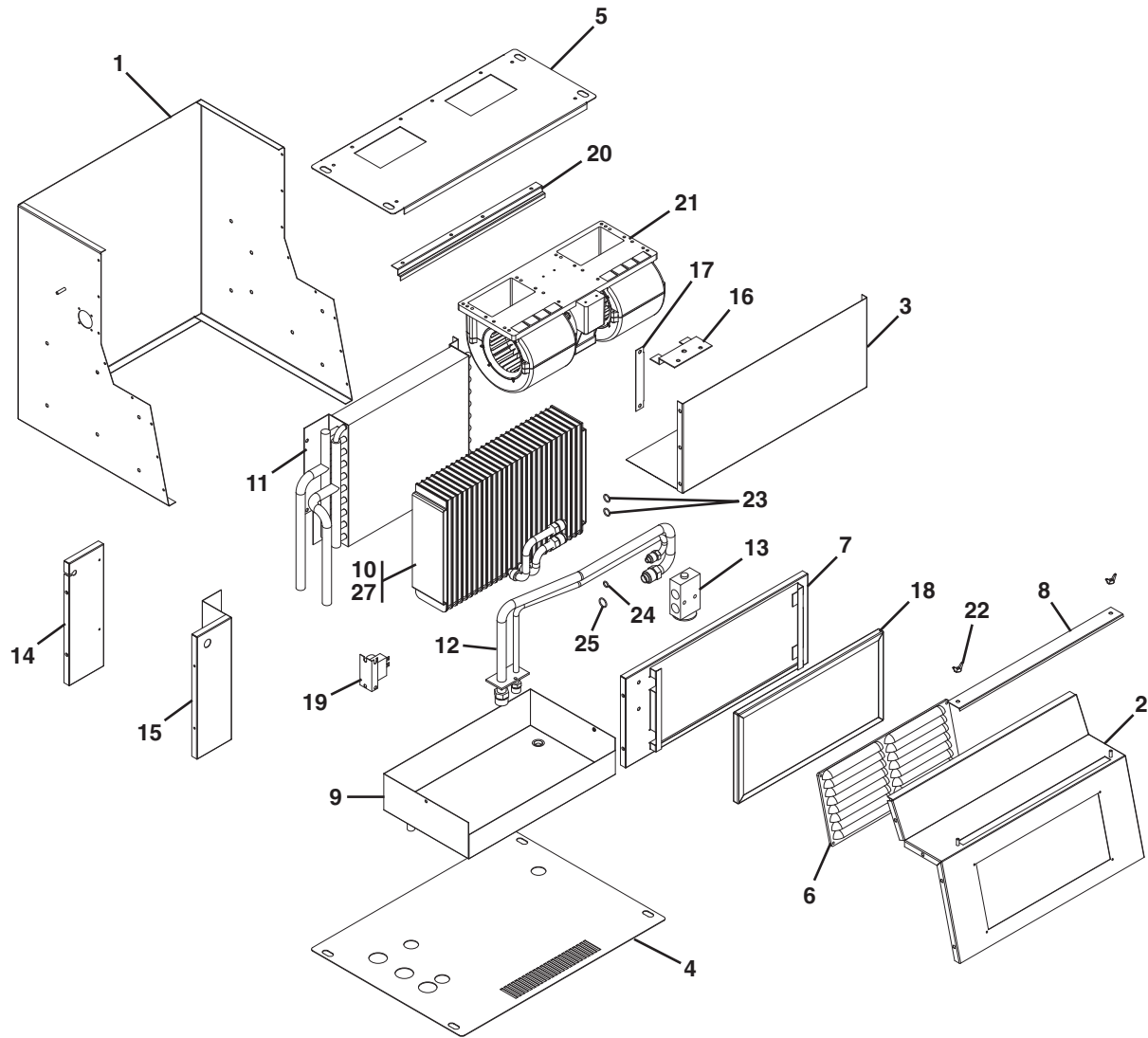


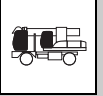
**Cab Heater Installation, Upperstructure**

Item	Part Number	Qty.	Description	Rev.
1	4000012	1	TEMPERATURE SENSOR	
2	77133089	1	MINI-CHECK COUPLING, (includes item 23)	
3	77143013	2	WHIZ-LOCK NUT, 1/4-20	
4	77143015	4	WHIZ-LOCK NUT, 3/8-16	
5	80531003	1	HEATER MOUNT PLATE	
6	80533014	1	HEATER VALVE, (includes item 28)	
7		Ref	HYDRAULIC HEATER PUMP ASSY, (cassapa), (see page 9-98 for details)	
8	80533024	1	TUBE ASSY	
9	80533025	1	TUBE ASSY	
10	80973025	4	WHIZ-LOK SCREW, 3/8-16X1	
11	88201011	2	HEX HD CAPSCREW, 1/4-20X2-1/2, GR5	
12	88501106	4	HEX NUT, 3/8-16	
13	88551011	4	LOCKWASHER, 3/8	
14	88662175	1	HEX PLUG, (includes item 24)	
15	88662330	2	ELBOW, 90 DEGREES, (includes item 24)	
16	88662332	1	ELBOW, 90 DEGREES, (includes item 25)	
17	88662419	1	ELBOW, 45 DEGREES, (included item 24)	
18	88662429	1	ELBOW, 90 DEGREES, (includes item 26)	
19	88662430	1	STRAIGHT CONNECTOR, (includes item 27)	
20	88662436	1	ELBOW, 90 DEGREES, (includes item 25)	
21		Ref	POWER STEERING RESERVOIR ASSY, (see page 4-14 for details)	
22	88662435	1	ELBOW, 90 DEGREES, (includes item 27)	
23	83763056	1	VITON O-RING, (lubricate lightly)	
24	88591205	4	O-RING	
25	88591207	2	O-RING	
26	88591209	1	O-RING	
27	88591206	2	O-RING	
28	80534034	1	RELIEF VALVE	
29	77133137	2	COVER PLATE	
30	80473061	3	RUBBER MOUNT	
31	80473062	3	REBOUND WASHER	
32	80533023	1	TUBE ASSY, (Before S/N's XL3100IV - 3120000421 (4x2); 3140000401 (4x4); XL4100IV - 4100000788 (6x4); 4160000086 (6x6); XL5100IV - 5100000620 (6x4 & 6x6)	
	80733129	1	TUBE ASSY, (After & including S/N's XL3100IV - 3120000421 (4x2); 3140000401 (4x4); XL4100IV - 4100000788 (6x4); 4160000086 (6x6); XL5100IV - 5100000620 (6x4 & 6x6)	
33	80933123	1	CLAMP SET	
34	84719567	2	HOSE ASSY	
35	84719568	1	HOSE ASSY	
36	88201026	1	HEX HD CAPSCREW, 5/16-18X2-1/2, GR5	
37	88501006	3	HEX NUT, 3/8-16	
38	88521304	1	HEX LOCKNUT, 1/4-20	
39	91083216	1	CUSHION CLAMP, 1/2	



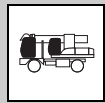
Evaporator & Heater Assembly, Upperstructure





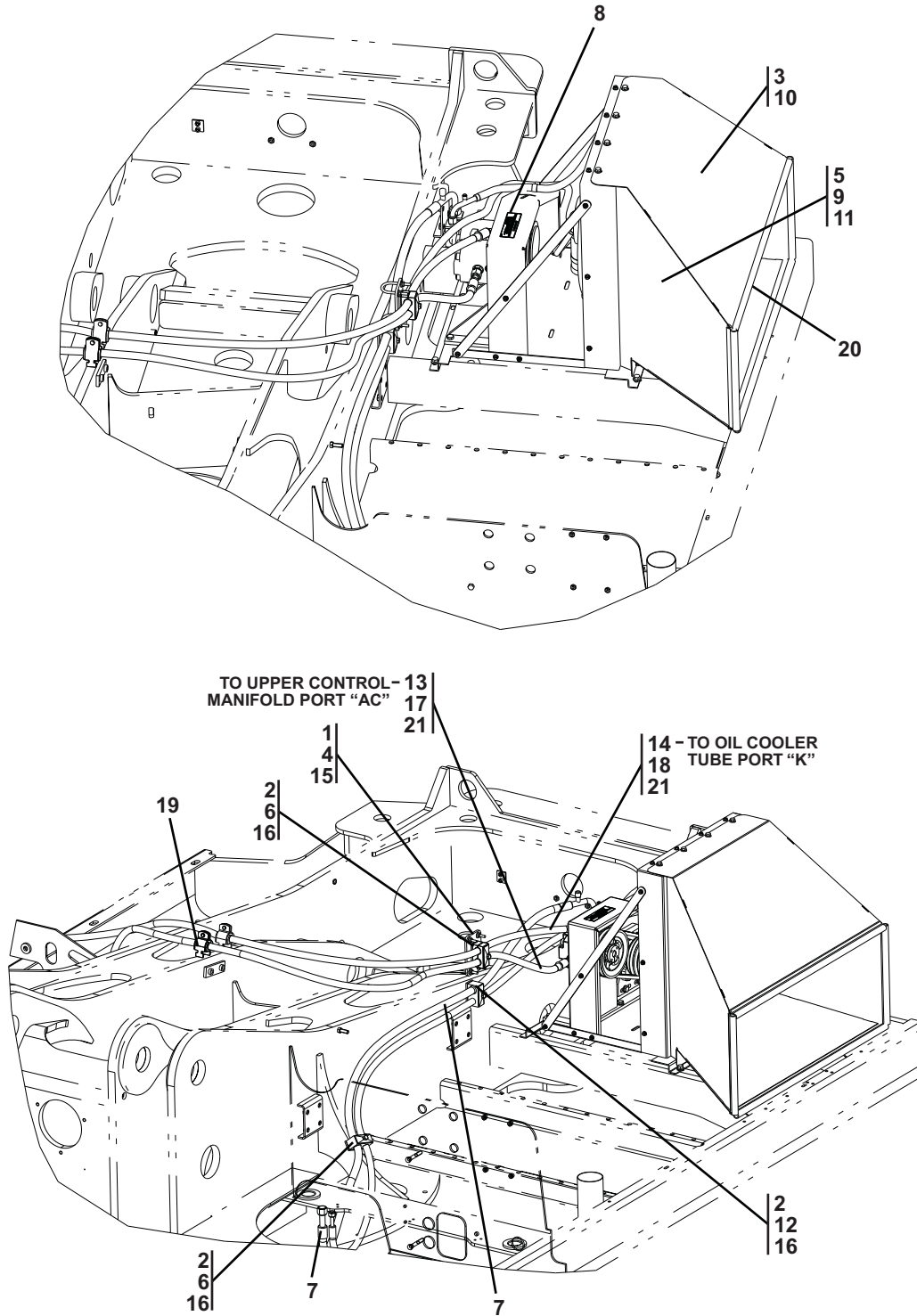
**Evaporator & Heater Assembly, Upperstructure**

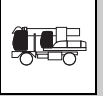
Item	Part Number	Qty.	Description	Rev.
	80763084	1	EVAPORATOR & HEATER ASSY, (includes all items)	A
1	80784018	1	MAIN HOUSING	
2	80784019	1	FRONT HOUSING	
3	80784020	1	DIVIDER PLATE	
4	80784021	1	BOTTOM MOUNTING PLATE	
5	80784022	1	TOP/BLOWER HOUSING	
6	80784023	1	GRILLE	
7	80784024	1	FILTER PLATE	
8	80784025	1	FILTER COVER	
9	80784026	1	DRAIN PAN	
10	80784027	1	A/C EVAP COIL	
11	80784044	1	HEATER COIL	
12	80784029	1	TUBE ASSY	
13	80784030	1	EXPANSION BLOCK VALVE	
14	80784031	1	HEATER COIL PLATE	
15	80784032	1	BLOCK OFF PLATE	
16	80784033	1	BLOWER SUPPORT BRACKET	
17	80784034	1	COIL SUPPORT BRACKET	
18	80784035	1	FILTER	
19	80763057	1	THERMOSTAT	
20	80784037	1	LOWER BLOWER MOUNTING BRACKET	
21	80784038	1	BLOWER ASSY	
22	80784039	2	WING NUT	
23	80363103	2	O-RING	
24	80363102	1	O-RING	
25	80363104	1	O-RING	
26	80784043	1	BLOWER HARNESS	
27	80764202	2	FOAM, (trim to fit)	



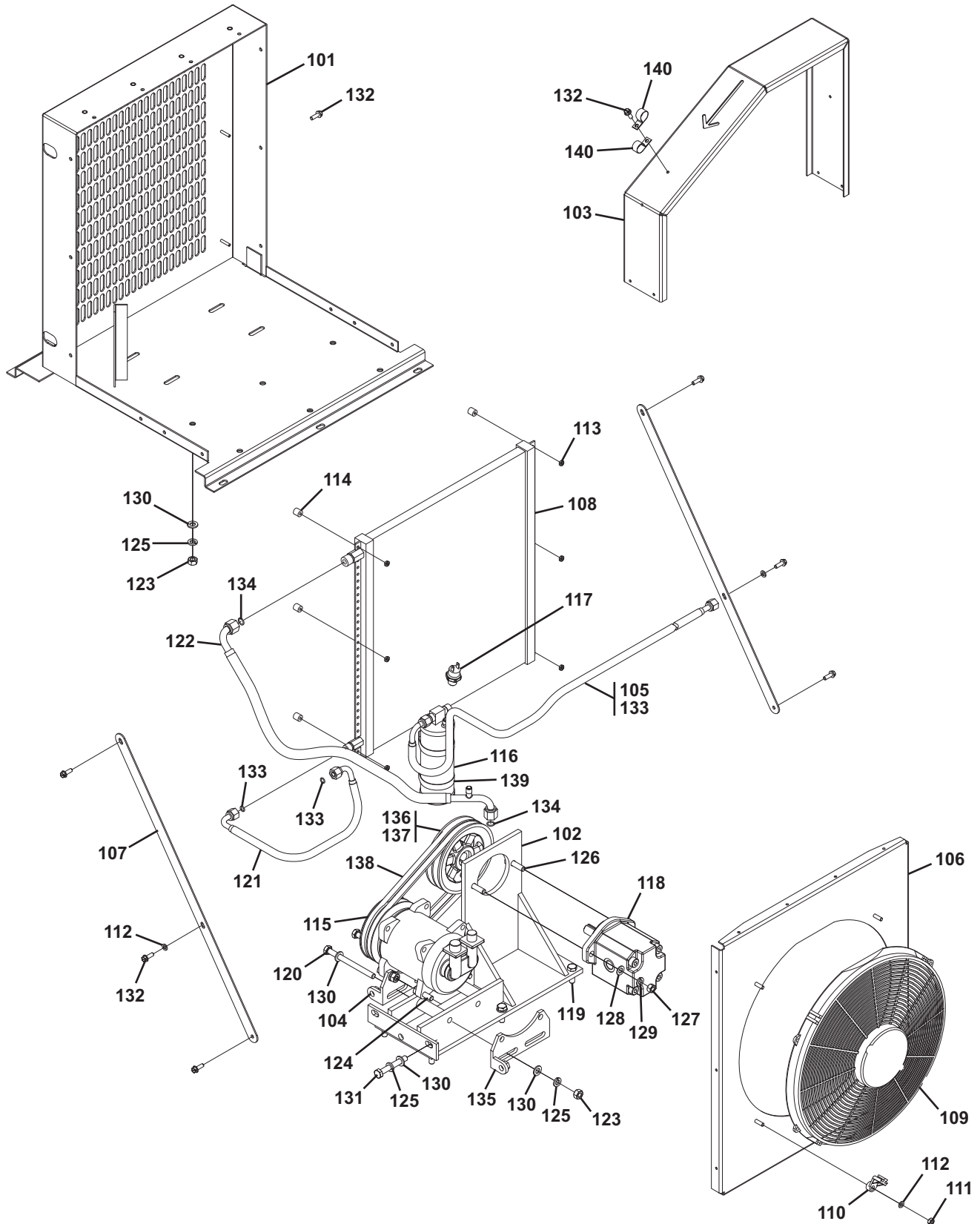
# CAB

## Air Conditioning Installation, Upperstructure





### Air Conditioning Installation, Upperstructure

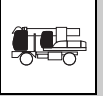




# CAB

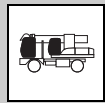
## Air Conditioning Installation, Upperstructure

Item	Part Number	Qty.	Description	Rev.
1	4341298	1	WELD PLATE	
2	77133137	3	TWIN CLAMP COVER PLATE	
3	77143003	8	WHIZ-LOK SCREW, 5/16-18X5/8	
4	77143013	4	WHIZ-LOK NUT, 1/4-20	
5	77143015	4	WHIZ-LOK NUT, 3/8-16	
6	77323029	1	CLAMP SET	
7	80763100	1	HOSE ASSY	
8	80763113	1	A/C WARNING DECAL	
9	80763085	1	UPPER A/C UNIT, (includes items 101 thru 141)	B
10	80766013	1	A/C SHROUD WELDMENT	
11	80973025	4	WHIZ-LOK SCREW, 3/8-16X1	
12	83663119	2	CLAMP SET	
13	84719597	1	HOSE ASSY	
14	84721075	1	HOSE ASSY	
15	86661066	2	U-BOLT, 1/4-20X2.75	
16	88201023	3	HEX HD CAPSCREW, 5/16-18X1-3/4, GR5	
17	88662302	1	STRAIGHT ADAPTER, (includes item 21)	
18	88662330	1	ELBOW, 90 DEGREES, (includes item 21)	
19	91343012	2	CUSHION CLAMP, 27/32	
20	80463040	90"	BULB SEAL	
21	88591205	2	O-RING	
101	80764070	1	CONDENSOR HOUSING	
102	80764071	1	MOTOR MOUNTING WELD	
103	80764072	1	BELT GUARD	
104	80764073	1	ADJUSTING BRACKET, R.H.	
105	80764099	1	HOSE ASSY	
106	80764074	1	FAN HOUSING	
107	80764075	2	SUPPORT BRACE	
108	80763073	1	CONDENSOR COIL	
109	80764076	1	FAN	
110	80764077	4	FAN BRACKET	
111	88521004	4	HEX LOCKNUT, 1/4-20	
112	88561006	6	FLAT WASHER, 1/4	
113	88521605	6	HEX LOCKNUT, #10-24	
114	80764078	6	NYLON SPACER, 1/2X1/2	
115	80764079	1	COMPRESSOR	
116	80783121	1	RECIEVER/DRYER	
117	80363099	1	HI/LO PRESSURE SWITCH	
118	80533037	1	MOTOR	
119	80764081	6	HEX HD BOLT, M10X1.5X30	
120	80764082	2	HEX HD BOLT, M10X1.5X120	
121	80764083	1	HOSE ASSY	
122	80764084	1	DISCHARGE HOSE	
123	80764085	12	HEX NUT, M10X1.5	
124	80764086	4	HEX HD BOLT, M10X1.5X35	
125	80764087	14	LOCKWASHER, M10	
126	88201037	2	HEX HD CAPSCREW, 3/8-16X1.5	



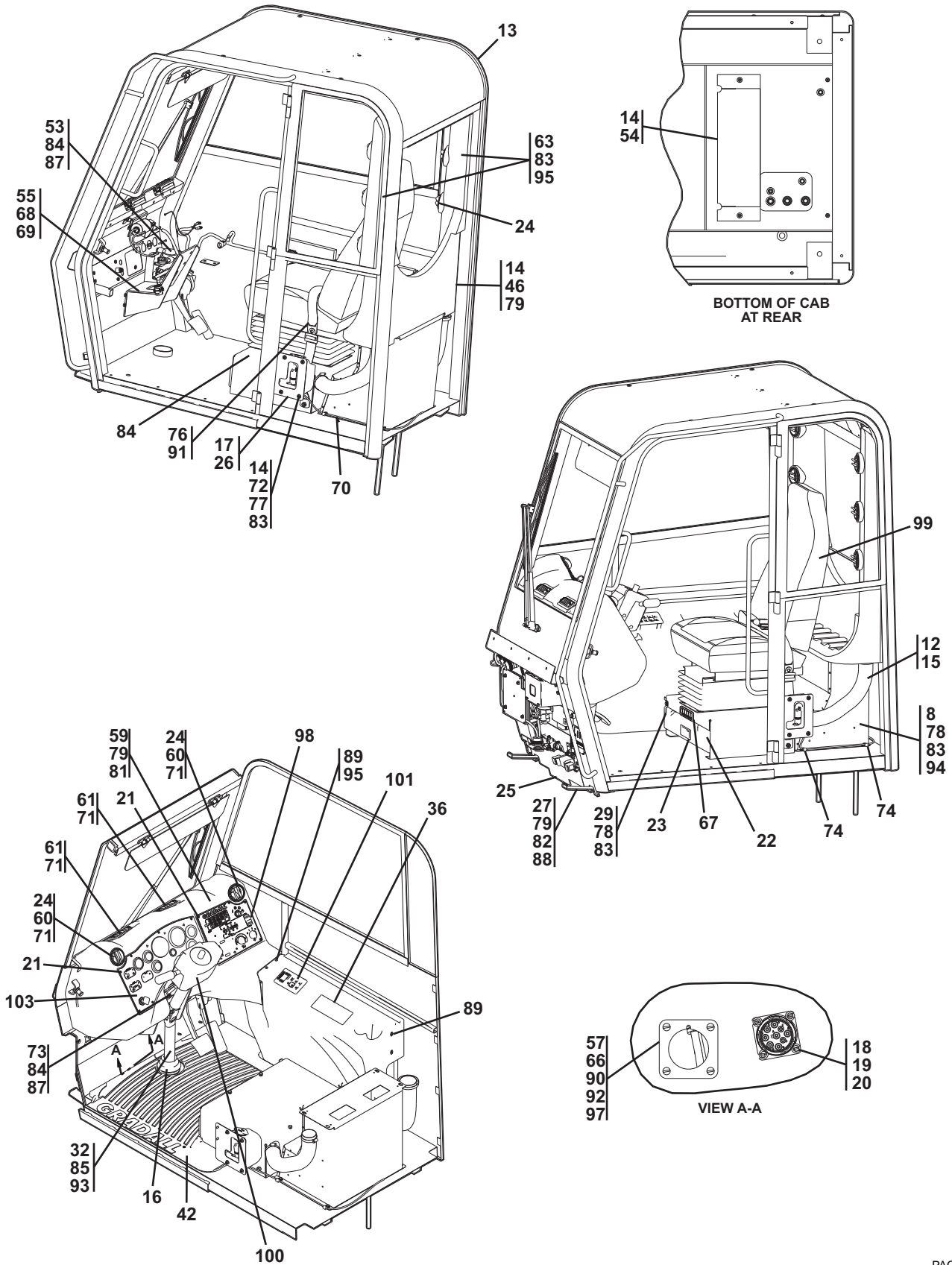
**Air Conditioning Installation, Upperstructure**

Item	Part Number	Qty.	Description	Rev.
127	88501006	2	HEX NUT, 3/8-16	
128	88561004	2	FLAT WASHER, 3/8	
129	88551011	2	LOCKWASHER, 3/8	
130	80764088	18	PLAIN WASHER, M10	
131	80764089	2	FULL THREAD BOLT, M10X1.5X70	
132	88201003	19	HEX BOLT, 1/4-20X3/4	
133	80764090	4	O-RING	
134	80764091	2	O-RING	
135	80764098	1	ADJUSTING BRACKET, L.H.	
136	80764092	1	PULLEY BUSHING	
137	80764093	1	PULLEY	
138	80764094	2	BELT	
139	80764095	2	DRYER CLAMP	
140	80764096	2	CLAMP	
141	80764097	1	WIRE HARNESS, (not illustrated)	

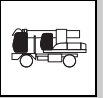


# CAB

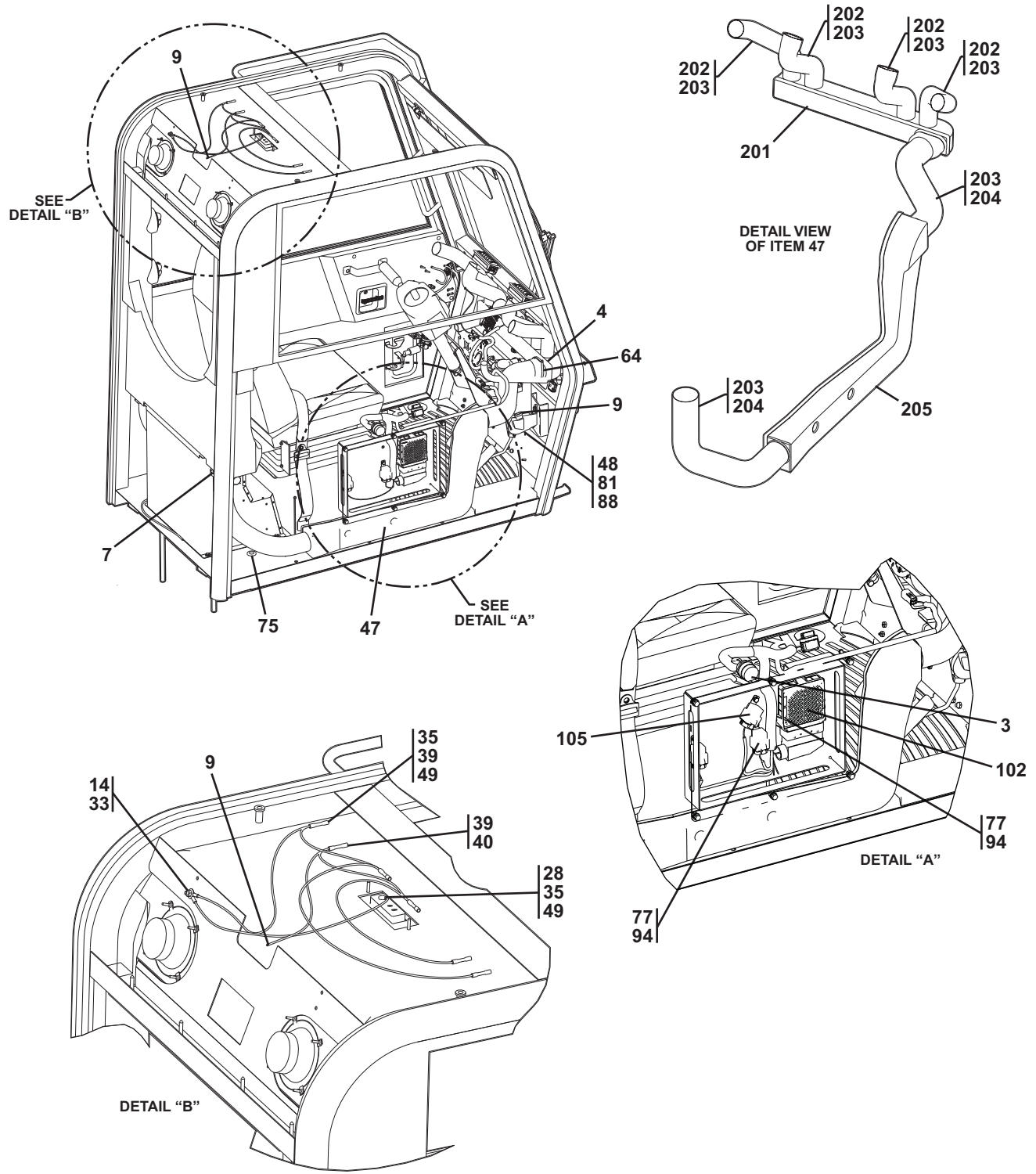
## Operators Cab Assembly, Undercarriage



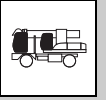




Operators Cab Assembly, Undercarriage (Continued)







---

**Operators Cab Assembly, Undercarriage (Continued)**

---

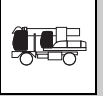
**THIS PAGE LEFT BLANK INTENTIONALLY**



# CAB

## Operators Cab Assembly, Undercarriage

Item	Part Number	Qty.	Description	Rev.
	<i>Consult Factory</i>	Ref	OPERATORS CAB ASSY, UNDERCARRIAGE, (includes all items)	
1		Ref	PRINTED CIRCUIT BOARD, (see page 10-20 for details)	
2	0903544	1	PRINTED CIRCUIT BOARD BRACKET	
3	80783154	1	TRANSMISSION CONTROLLER HARNESS, (Before S/N's XL3100 (4x2) - 3120000350 XL3100 (4x4) - 3140000371 XL4100 (6x4) - 4100000684 XL4100 (6x6) - 4160000075 XL5100 (6x4 & 6x6) - 5100000611)	
	80783316	1	TRANSMISSION CONTROLLER HARNESS, (After & including S/N's XL3100 (4x2) - 3120000350 XL3100 (4x4) - 3140000371 XL4100 (6x4) - 4100000684 XL4100 (6x6) - 4160000075 XL5100 (6x4 & 6x6) - 5100000611)	
4	01043892	3	TY-RAP	
5	80763080	1	CHASSIS CONTROLLER	
6	80783190	1	CIRCUIT BOARD DECAL	
7	85111214	1	HOSE CLAMP	
8		Ref	EVAPORATOR/HEATER ASSY, (see page 6-78 for details)	
9	80783106	1	UNDERCARRIAGE CAB HARNESS	
10	14402466	A/R	LOCTITE 222, (purple)	
11	14404579	A/R	BETASEAL PRIMERLESS ADHESIVE	
12	71492152	22"	HOSE DUCT, 2-1/2, (sold in 6' sections)	
13		Ref	OPERATORS CAB, UNDERCARRIAGE, (see page 6-48 for details)	
14	77143013	11	WHIZ-LOK NUT, 1/4-20	
15	84231107	2	HOSE CLAMP	
16	VA38020012	1	STEERING COLUMN BOOT	
17	80263012	2	WHIZ-LOK SCREW, 1/4-20X1/2	
18	88302027	4	ROUND HD MACHINE SCREW, #4-40X5/8, GR8	
19	88501604	4	HEX NUT, #4-40	
20	88561102	8	FLAT WASHER, #4	
21	80363033	13	FLAT HD MACHINE SCREW, #10-24X1	
22	80363059	1	CAB STORAGE DRAWER	
23	80363060	1	CAB DRAWER LATCH	
24	80363106	8	AIR DIFFUSER VENT	
25	80363233	1	RUBBER FLAP	
26	80781114	1	WATER BOTTLE MOUNT PLATE	
27	80381241	2	FRONT COVER SUPPORT	
28	77163102	1	ELECTRICAL CONNECTOR, 1/4 FEMALE SPADE, (blue)	
29	80381298	1	DRAWER LATCH	
30	89981036	4	PAN HD SCREW, #8-32	
31	88501613	4	HEX NUT, #10-32	
32		Ref	STEERING SHAFT, (see page 7-4 for details)	
33	88302125	1	ROUND HD MACHINE SCREW, 1/4-20X5/8, GR8	
34	88201006	4	HEX HD CAPSCREW, 1/4-20X1-1/4, GR5	
35	86983191	2	ELECTRICAL CONNECTOR, 1/4"	
36	80783088	1	UNDERCARRIAGE CAB CONSOLE	
37	80383094	1	LOW AIR SWITCH JUMPER	
38	80383095	1	BRAKE SWITCH JUMPER	



**Operators Cab Assembly, Undercarriage (Continued)**

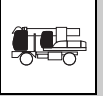
Item	Part Number	Qty.	Description	Rev.
39	86683480	6	ELECTRICAL CONNECTOR, 14GA.-16GA.	
40	86661154	A/R	WIRE, 16GA., (yellow)	
41	80383232	4	RUBBER ISOLATION MOUNT, 1/4-20	
42	80383266	1	FLOOR MAT	
43	80383277	1	BULKHEAD FITTING	
44	80383279	3	BULKHEAD FITTING	
45	80383358	8	NYLON WASHER, 1/4	
46	80383369	1	AIR PLENUM	
47	80383370	1	AIR DUCT KIT, (includes items 201 thru 205)	A
48	Consult Factory	1	ELECTRIC THROTTLE PEDAL	
49	86661147	A/R	WIRE, 16GA., (black)	
50		Ref	SWING BRAKE VALVE ASSY, (see page 6-82 for details)	
51		Ref	4-WAY AIR VALVE ASSY, (see page 6-82 for details)	
52		Ref	DOUBLE CHECK VALVE ASSY, (see page 6-80 for details)	
53		Ref	BRAKE PEDAL ASSY, (see page 6-80 for details)	
54	80381150	1	HEATER VENT COVER	
55	80386037	1	STEERING COLUMN MOUNT	
56	80481110	1	BULKHEAD PLATE	
57	80481111	1	DIAGONAL PLUG MOUNTING PLATE	
58	80781199	1	ENGINE VCU MOUNT	
59	80483072	1	UNDERCARRIAGE CAB DASH	
60	91403596	2	REDUCER VENT	
61	91403538	2	DEFROST VENT	
62	91363018	5	WHIZ-LOK SCREW, 5/16-18X1	
63	91083533	2	FENDER WASHER	
64	90027187	1	TIE-WRAP	
65	88561105	2	FLAT WASHER, #10	
66	88561103	4	FLAT WASHER, #6	
67	80963136	1	VENT ASSY	
68	80973025	3	WHIZ-LOK SCREW, 3/8-16X1	
69	80973096	1	WHIZ-LOK SCREW, 3/8-16X1-1/2	
70	82033997	150"	WASHER HOSE	
71	83664133	4	TY-RAP	
72	80783116	1	WASHER FLUID BOTTLE, 24V	
73	88561004	4	FLAT WASHER, 3/8	
74	90021705	2	SUPPORT CLAMP, 3/8	
75	86961044	1	GROMMET, 3/4-10	
76	86883173	1	SEAT BELT KIT, 2" WIDE, (standard)	
	80363222	1	SEAT BELT KIT, 3" WIDE, (optional)	
	80363117	1	SEAT BELT KIT, 2" WIDE RETRACTABLE, (optional)	
			<i>Note: The seat belts listed are black seat belts. If your seat belt is orange, see page 6-60.</i>	
77	88201003	11	HEX HD CAPSCREW, 1/4-20X3/4, GR5	
78	88201005	9	HEX HD CAPSCREW, 1/4-20X1, GR5	
79	88561003	12	FLAT WASHER, 5/16	
80	88201018	4	HEX HD CAPSCREW, 5/16-18X3/4, GR5	
81	88201020	8	HEX HD CAPSCREW, 5/16-18X1, GR5	
82	88201021	4	HEX HD CAPSCREW, 5/16-18X1-1/4, GR5	
83	88561002	19	FLAT WASHER, 1/4	



# CAB

## Operators Cab Assembly, Undercarriage (Continued)

Item	Part Number	Qty.	Description	Rev.
84	88201035	11	HEX HD CAPSCREW, 3/8-16X1, GR5	
85	88201039	1	HEX HD CAPSCREW, 3/8-16X2, GR5, (hand torque to 30-35 lb-ft)	
86	88211036	2	SOCKET HD CAPSCREW, #10-24X2, GR8	
87	88551011	7	LOCKWASHER, 3/8	
88	88551010	10	LOCKWASHER, 5/16	
89	88261018	6	BUTTON HD SCREW, 1/4-20X1	
90	88301056	4	PAN HD SCREW, #6-32	
91	88501307	2	HEX NUT, 7/16-20 <i>Note: Item 91 is only used on machines with black seat belts.</i>	
92	88501608	4	HEX NUT, 3/8-16	
93	88521006	1	HEX LOCKNUT, 3/8-16	
94	88551009	11	FLAT WASHER, 1/4	
95	88521304	18	HEX LOCKNUT, 1/4-20	
96	88551007	6	FLAT WASHER, #10	
97	80781261	1	RETAINING PLATE	
98		Ref	SWITCH PANEL ASSY, (see page 6-70 for details)	
99		Ref	OPERATORS CAB SEAT, UNDERCARRIAGE, (see page 6-54 for details)	
100		Ref	STEERING COLUMN ASSY, (see page 7-2 for details)	
101		1	TRANSMISSION SHIFT SELECTOR, <i>(not available from Gradall; order through an Allison Transmission dealer)</i>	
102		1	TRANSMISSION CONTROL MODULE, <i>(not available from Gradall; order through an Allison Transmission dealer)</i>	
103		Ref	DASH PANEL ASSY, (see page 6-62 for details)	
104	80784175	1	SCR FRAME MODULE	
105	83303243	3	24V RELAY	
201	80383371	1	DASH PLENUM ASSY	
202	80384468	54"	DUCT HOSE, 2"	
203	80384469	12	PAN HEAD SCREW, #8X1/2	
204	80384470	44"	DUCT HOSE, 3"	
205	80383372	1	SIDE PLENUM ASSY	



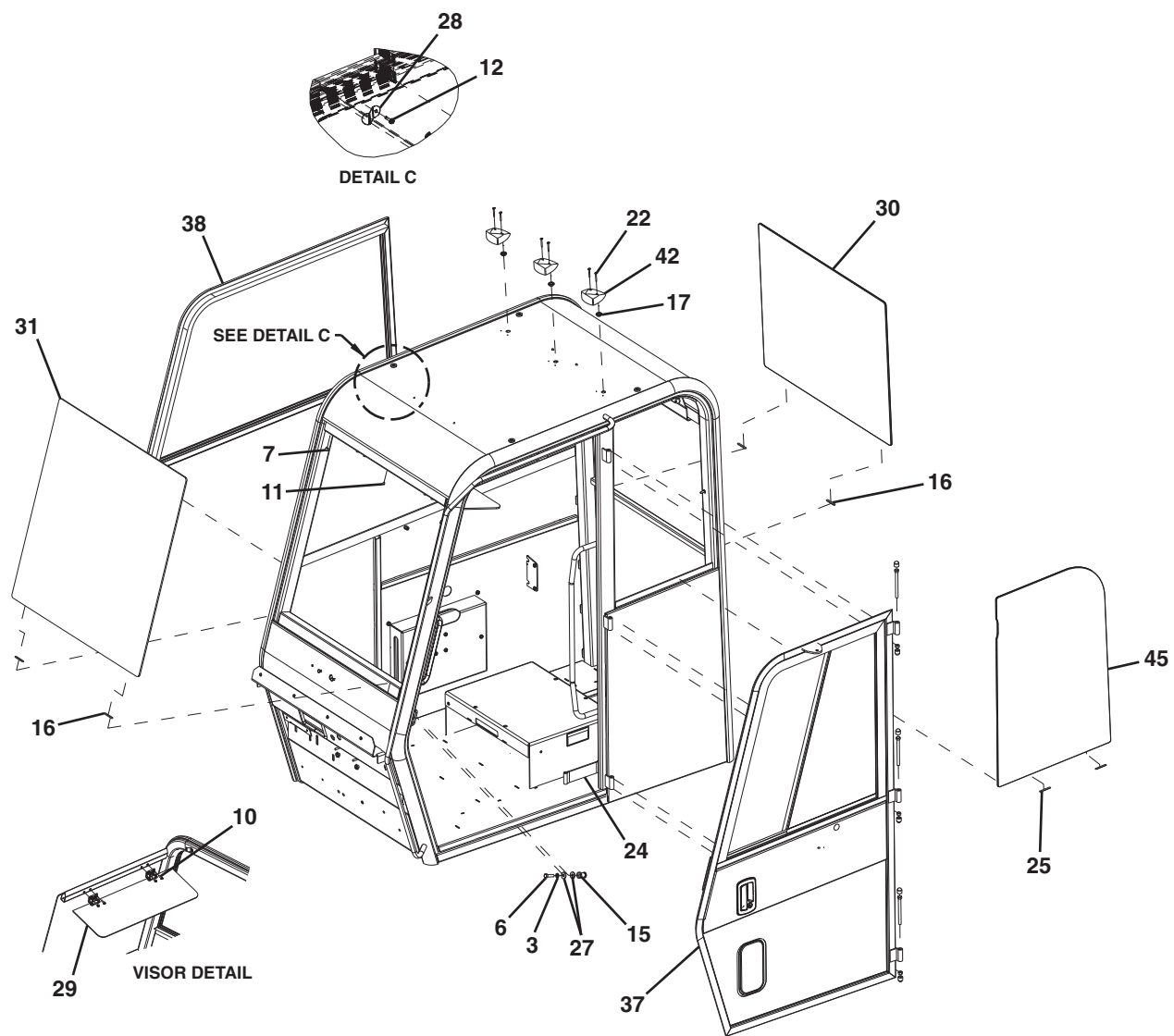
**Operators Cab Assembly, Undercarriage (Continued)**

Item	Part Number	Qty.	Description	Rev.

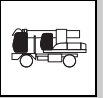


# CAB

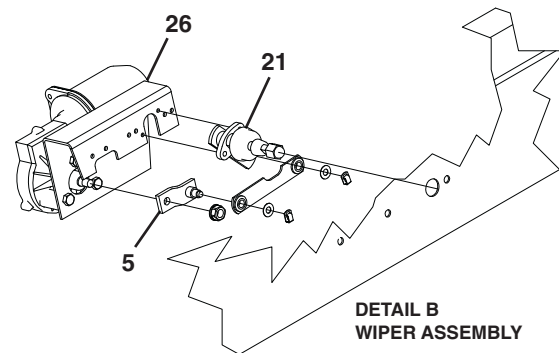
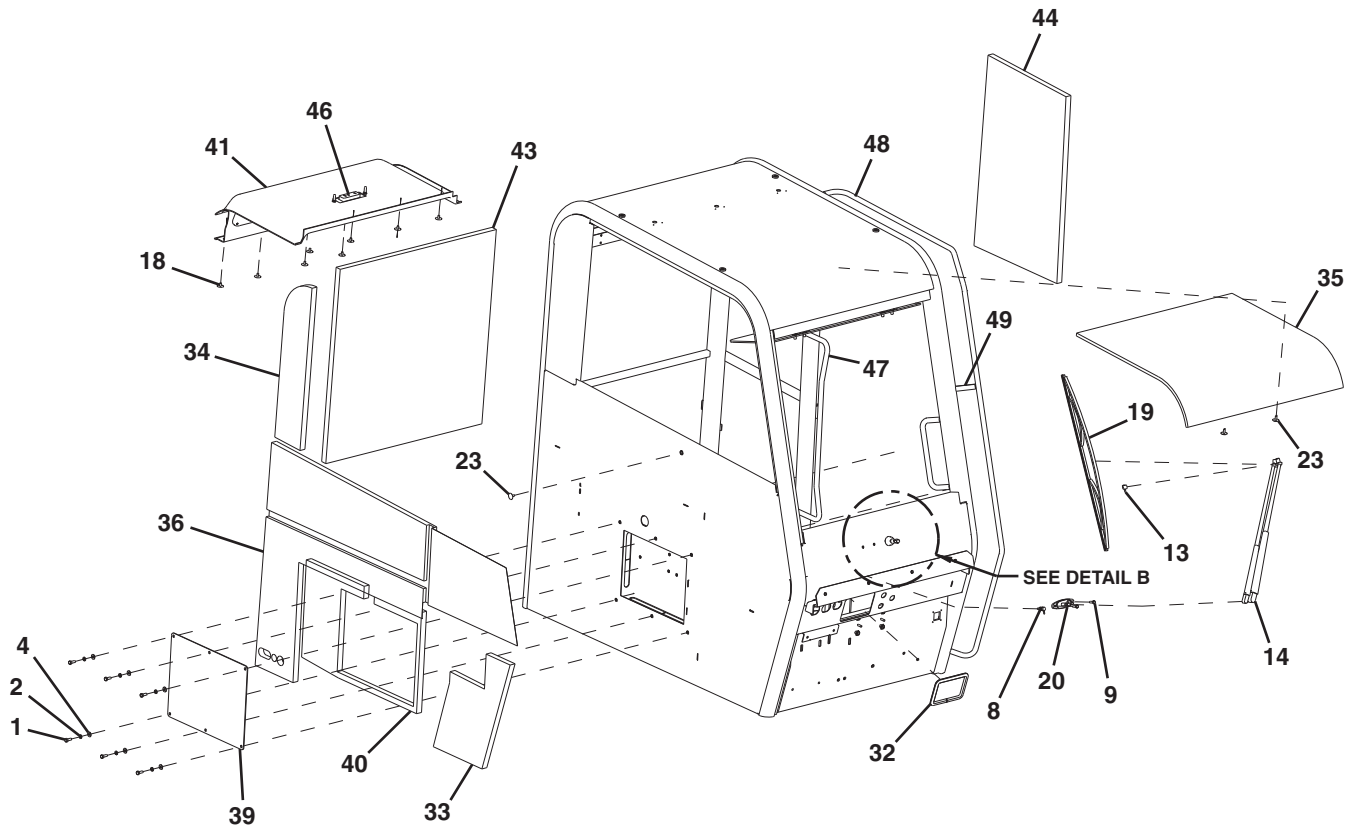
## Operators Cab, Undercarriage







Operators Cab, Undercarriage

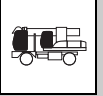




# CAB

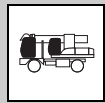
## Operators Cab, Undercarriage

Item	Part Number	Qty.	Description	Rev.
	80783087	1	OPERATORS CAB, UNDERCARRIAGE, (includes all items)	D
1	91344039	6	BOLT, 31-18X3/4, GR8	
2	80264098	6	WASHER	
3	80364021	1	LOCKWASHER, 3/8	
4	91334032	6	FLAT WASHER	
5	80384203	1	WIPER ARM	
6	91334017	1	BOLT, 3/8-16X1-1/4, GR8	
7	80514012	2	ROUND PLUG	
8	80384206	1	WET ARM ADAPTER	
9	80384207	2	SCREW, 1/4-28X3/4	
10	91344024	4	SCREW, 1/4-20X1	
11	80384208	1	PLUG	
12	80384221	1	SCREW, #10-16X3/4	
13	80384210	1	WET ARM ADAPTER	
14	80384211	1	WIPER ARM	
15	80364023	1	THREAD STRIKER, 3/8-16	
16	80264031	4	SETTING BLOCK	
17	80384212	3	GROMMET	
18	80514006	8	FASTENER	
19	80384213	1	WIPER BLADE	
20	80384214	1	ADAPTER KIT	
21	80384215	1	WIPER SHAFT	
22	80384217	6	SCREW, #8-32X1-1/2	
23	80364052	3	FASTENER	
24	80384218	1	DOOR STRAP	
25	80514217	2	SETTING BLOCK	
26	80784013	1	WIPER MOTOR	
27	80514004	2	WASHER	
28	80384222	1	VISOR CLIP	
29	80384196	1	VISOR	
30	80364033	1	REAR WINDOW	
31	80384199	1	FRONT GLASS	
32	80764185	1	EDGE TRIM	
33	80514009	1	R.H. LOWER FOAM	
34	80384219	1	RIGHT REAR FOAM	
35	80484105	1	FRONT FOAM HEADLINER	
36	80784014	1	RIGHT SIDE FOAM	
37		Ref	OPERATORS CAB DOOR, UNDERCARRIAGE, (see page 6-52 for details)	
38	80384197	1	R.H. SLIDING WINDOW	
	80384487	A/R	SLIDING WINDOW LATCH KIT	
39	80784014	1	RIGHT SIDE PANEL COVER	
40	80784017	1	R.H. SIDE PANEL ACOUSTICAL FOAM	
41	80764068	1	HEADLINER ASSY, (includes item 46)	
42	80784012	3	AMBER CLEARANCE LIGHT	
43	80364034	1	REAR FOAM	
44	80384202	1	LEFT FOAM	
45	80364030	1	L.H. SIDE WINDOW	
46	80764126	1	DOME LIGHT ASSY, 24V, (includes cover and bulb)	
		1	DOME LIGHT COVER, (not sold separately)	



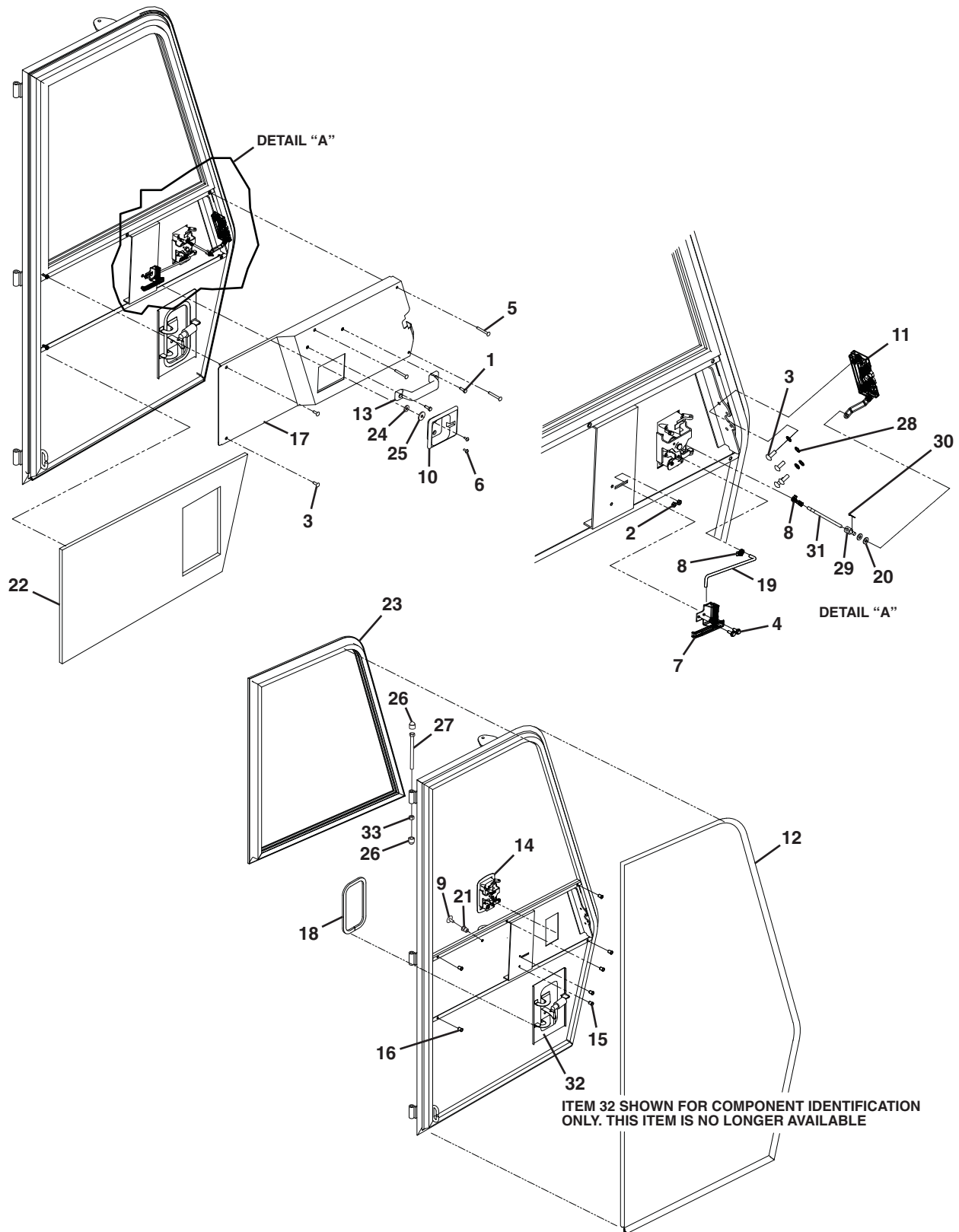
**Operators Cab, Undercarriage (Continued)**

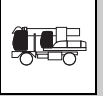
Item	Part Number	Qty.	Description	Rev.
	80764128	1	DOME LIGHT BULB	
47	80384495	1	GRAB RAIL	
48	80384342	1	GRAB RAIL	
49	80384343	1	GRAB RAIL POST	
	80514008	1	FOAM GROUP, (includes items 34, 43 & 44)	



# CAB

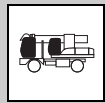
## Operators Cab Door, Undercarriage





**Operators Cab Door, Undercarriage**

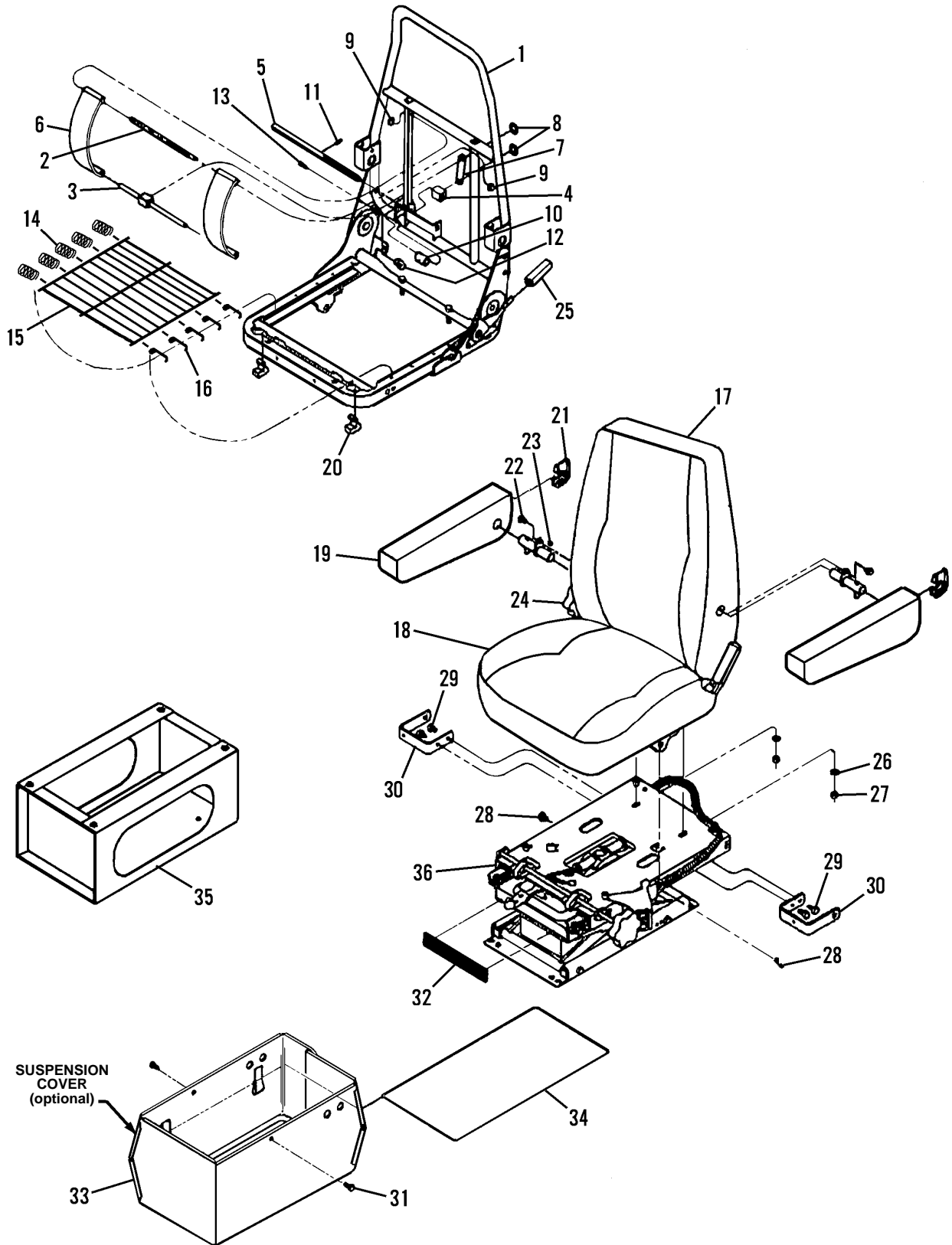
Item	Part Number	Qty.	Description	Rev.
	80514003	1	OPERATORS CAB DOOR ASSY, UNDERCARRIAGE, (includes all items)	
1	80384189	2	HEX BOLT, 1/4-20, GR8	
2	91404313	2	HEX NUT, #10-24	
3	80264053	6	SCREW, 1/4-20, GR5	
4	80384191	2	WHIZLOK SCREW, #10-24	
5	80264081	3	TORX SCREW, 1/4-20X2	
6	80514082	2	BOLT, #10-24, GR5	
7	80384192	1	L.H. HANDLE ASSY	
8	80384187	2	ROD END RETAINER CLIP	
9	80364052	1	FASTENER	
10	80384193	1	INSIDE DOOR BEZEL	
11	80364079	1	R.H. CAM LATCH	
12	80464054	1	DOOR SEAL	
13	80384188	1	RUBBER HANDLE	
14	80384184	1	PADDLE LATCH W/KEY	
	91144470	1	PADDLE LATCH KEY	
15	80514084	2	HEX ROUND NUT	
16	80264046	5	NUTSERT	
17	80384181	1	DOOR COVER WELDMENT	
18	80514227	1	VENT DOOR SEAL	
19	80384183	1	DOOR ROD	
20	80364042	2	WASHER	
21	7028939	1	HEX RIVNUT	
22	80514192	1	LOWER DOOR FOAM, <i>(due to the discontinuation of the vent door (item 32), this foam is now a solid piece and may require cutting for doors equipped with the vent door.</i>	
23	80514075	1	SLIDING DOOR WINDOW	
24	80514226	2	WASHER	
25	80514225	2	WASHER	
26	80364004	6	HEX CAP	
27	80384205	3	HEX BOLT	
28	80514219	4	WASHER	
29	80514039	1	SWIVEL, 1/4-28 THREAD	
30	80514079	1	COTTER PIN	
31	80514078	1	RELEASE ROD	
32	80514196	1	VENT DOOR ASSY, <i>(this item is no longer available from the vendor; no replacement is available. A complete cab door ordered for service will not have this item installed.)</i>	
33	80364006	3	HEX NUT	



# CAB

Before S/N's  
XL3100IV - 3120000309 (4x2); 3140000347 (4x4)  
XL4100IV - 4100000621 (6x4); 4160000066 (6x6)

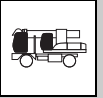
## Operators Cab Seat, Undercarriage



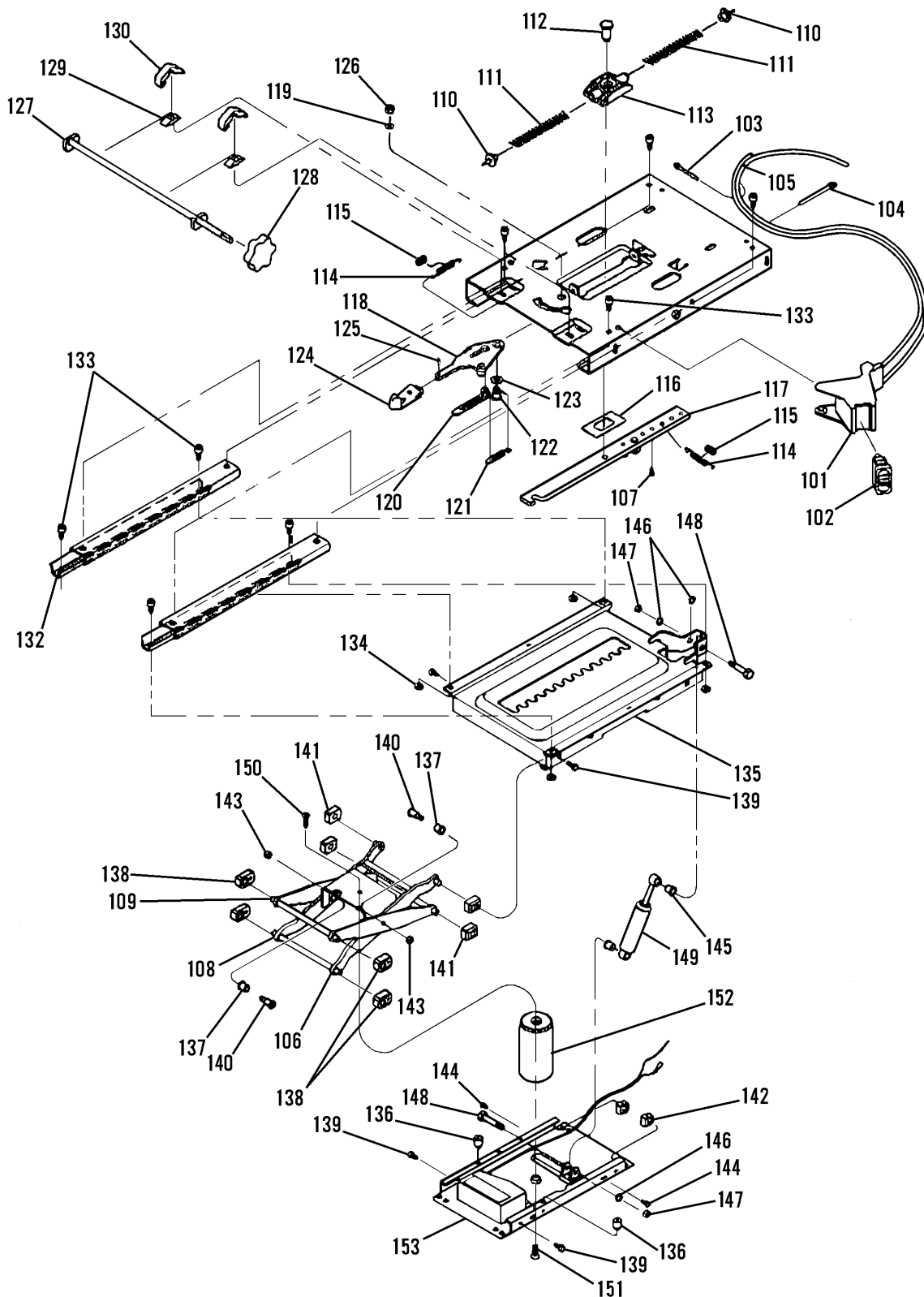
PAC0331

Before S/N's  
XL3100IV - 3120000309 (4x2); 3140000347 (4x4)  
XL4100IV - 4100000621 (6x4); 4160000066 (6x6)

CAB



### Operators Cab Seat, Undercarriage



PAC0921\_hundreds



# CAB

Before S/N's

XL3100IV - 3120000309 (4x2); 3140000347 (4x4)

XL4100IV - 4100000621 (6x4); 4160000066 (6x6)

XL5100IV - 5100000605 (6x4 & 6x6)

## Operators Cab Seat, Undercarriage

Item	Part Number	Qty.	Description	Rev.
	80383081	1	CAB SEAT, (gray), (includes all items), (no longer available. For complete seat replacement, order 80783281, located on page 6-60).	B
	X4103115	1	CAB SEAT, (black vinyl), (includes all items; optional)	
	X4103234	1	CAB SEAT W/ARMRESTS, (gray), (includes all items; optional), (no longer available. For complete seat replacement, order 80783281 & 80783286, located on page 6-60).	A
1	80384052	1	FRAME ASSY, (high back)	
2		1	LUMBAR SUPPORT SHAFT	
3		1	LUMBAR SLIDE SHAFT	
4		1	LUMBAR ADJUSTING BLOCK	
5		1	LUMBAR ADJUSTING SHAFT	
6		2	LUMBAR SPRING	
7		1	LUMBAR LINKAGE	
8		2	PUSH NUT, 3/8	
9		2	PUSH NUT, 5/16	
10		1	SPACER	
11		1	ROLL PIN	
12		1	STOP BLOCK	
13		1	SCREW, #10-32	
14		5	FLEXO-LATOR SPRING	
15		1	FLEXO-LATOR SUPPORT	
16		5	FLEX-O-LATOR CLIP	
17	80384467	1	BACK SEAT COVER, (gray), (80383081 & X4103234 seats only)	
	80384501	1	BACK SEAT COVER, (black vinyl), (X4103115 seat only)	
18	80384498	1	BOTTOM SEAT COVER, (gray), (80383081 & X4103234 seats only)	
	80384500	1	BOTTOM SEAT COVER, (black vinyl), (X41103115 seat only)	
19	80384426	2	ARMREST, (gray), (80383081 & X4103234 seats only)	
	80384502	2	ARMREST, (black vinyl), (X41103115 seat only)	
20		2	LONG SLIDE BLOCK	
21	80384061	1	ARMREST INSERT	
22		1	HEX TAP SCREW, 5/16X1/2, (lubricate & torque to 18-22 lb-ft)	
23		1	ARMREST SHAFT	
24	80384063	1	LUMBAR KNOB	
25	80384064	1	RECLINER HANDLE	
26		2	FLAT WASHER	
27		2	HEX NUT, M8-1.25	
28		2	SHOULDER BOLT, M8, (lubricate & torque to 18-22 lb-ft)	
29		4	CAPSCREW, M8, (lubricate & torque to 18-22 lb-ft)	
30		2	ICP BRACKET	
31		2	FASTENER	
32		1	VELCRO	
33		1	SUSPENSION COVER	
34		1	WIRE	
35	80384068	12	SEAT RISER	
36		Ref	SEAT SUSPENSION, (see items 101 thru 153)	
101		1	VALVE MOUNTING POD	
102		1	AIR VALVE, (height control)	



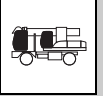
Before S/N's

XL3100IV - 3120000309 (4x2); 3140000347 (4x4)

XL4100IV - 4100000621 (6x4); 4160000066 (6x6)

XL5100IV - 5100000605 (6x4 & 6x6)

**CAB**



**Operators Cab Seat, Undercarriage (Continued)**

Item	Part Number	Qty.	Description	Rev.
103		3	TY-RAP, 3"	
104		1	TY-RAP, 6"	
105		7.5'	NYLON TUBING, 1/4	
106	80384085	1	LEVER ASSY, (includes items 108, 109, 137, 140 & 143)	
107	80384087	1	RESTRICTOR SCREW	
108		1	INNER LEVER	
109		1	OUTER LEVER	
110		2	RUBBER BUMPER	
111		2	ISOLATOR SPRING	
112		1	SHOULDER BOLT, M10, (lubricate & torque to 26-34 lb-ft)	
113		1	PIVOT BLOCK ASSY	
114		2	LATCH SPRING	
115		2	SPLIT POLY LOOM	
116		1	SPACER	
117		1	LATCH BAR	
118		1	CONTROL HANDLE	
119		1	FLAT WASHER	
120		1	DETENT PIN ASSY	
121		1	LOCKOUT SPRING	
122		1	HEX HD SHOULDER BOLT	
123		1	BELLEVILLE WASHER	
124		1	ISOLATOR KNOB	
125		1	POP RIVET	
126		1	HEX NUT, M8X1.25, (lubricate & torque to 11.7-14.3 lb-ft)	
127		1	TIE ROD WELDMENT	
128	80384063	1	TILT KNOB	
129		2	TILT ROD BRACKET	
130		2	TILT ROD BRACKET	
131		2	LONG SLIDE BLOCK	
132		2	SLIDE RAIL	
133		8	SOCKET HD CAPSCREW, M8, (lubricate & torque to 16.2-19.8 lb-ft)	
134		4	HEX NUT, M8	
135	80384077	1	UPPER PLATE	
136		2	RUBBER BUMPER	
137		2	BEARING LUBE	
138		4	BEARING BLOCK	
139		4	CAPSCREW, M8, (lubricate & torque to 22.5-27.5 lb-ft)	
140		2	SHOULDER BOLT, M8	
141		4	SLIDE BLOCK	
142		2	STOP BLOCK ASSY	
143		2	HEX NUT, M8, (lubricate & torque to 16.2-19.8 lb-ft)	
144		2	CAPSCREW, M8, (lubricate & torque to 13-14.3 lb-ft)	
145		2	BEARING MULTILUBE	
146		2	FLAT WASHER	
147		2	HEX NUT, M8	
148		2	SHOULDER BOLT, M8	
149		1	STANDARD DAMPER	
150		1	SCREW, M8, (lubricate & torque to 7-9 lb-ft)	
151		1	FLAT HD SCREW, M8, (lubricate & torque to 2-4 lb-ft)	



# CAB

Before S/N's

XL3100IV - 3120000309 (4x2); 3140000347 (4x4)

XL4100IV - 4100000621 (6x4); 4160000066 (6x6)

XL5100IV - 5100000605 (6x4 & 6x6)

## Operators Cab Seat, Undercarriage (Continued)

Item	Part Number	Qty.	Description	Rev.
152		1	AIR SPRING ASSY	
153	80384084	1	LOWER BASE ASSY	
	80384056	1	LUMBAR KIT, (includes items 2 thru 11)	
	80384057	1	BACK RESTRICTION KIT, (includes items 12 & 13)	
	80384503	1	FOAM SUPPORT KIT, (includes items 14 thru 16)	
	80384062	1	ARMREST BRACKET KIT, (includes items 21 thru 23)	
	80384065	1	FASTENER MOUNT KIT, (includes items 26 thru 28)	
	80384066	1	ICP BRACKET KIT, (includes items 29 & 30)	
	80384067	1	SUSPENSION COVER KIT, (includes items 31 thru 34)	
	80384499	1	FULL SEAT COVER KIT, (gray), (80383081 & X4103234 seats only)	
	80384069	1	AIR VALVE KIT, (includes items 101 thru 105)	
	80384072	1	ISOLATOR SPRING KIT, (includes items 110 thru 117)	
	80384073	1	CONTROL HANDLE KIT, (includes items 118 thru 126)	
	80384074	1	SEAT TILT REPLACEMENT, (includes items 127 thru 131)	
	80384075	1	SLIDE RAIL KIT, (includes items 132 thru 134)	
	80384076	1	ISOLATOR ASSY, (includes items 110 thru 117, 118 thru 126 & 132 thru 135)	
	80384078	1	SUSPENSION HARDWARE KIT, (includes items 136 thru 144)	
	80384079	1	DAMPER KIT, (includes items 145 thru 149)	
	80384080	1	AIR SPRING KIT, (includes items 150 thru 152)	

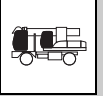
Before S/N's

XL3100IV - 3120000309 (4x2); 3140000347 (4x4)

XL4100IV - 4100000621 (6x4); 4160000066 (6x6)

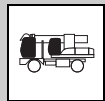
XL5100IV - 5100000605 (6x4 & 6x6)

**CAB**



**Operators Cab Seat, Undercarriage (Continued)**

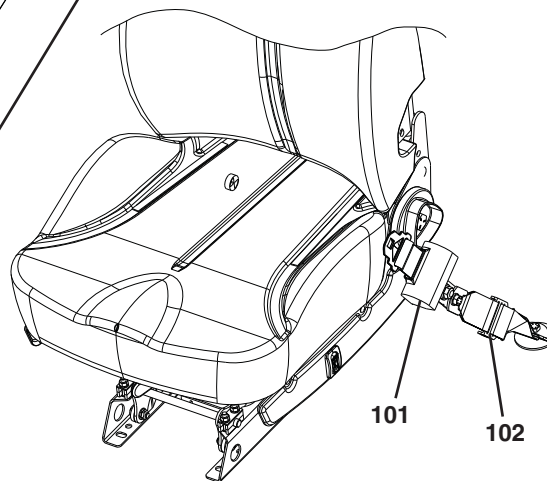
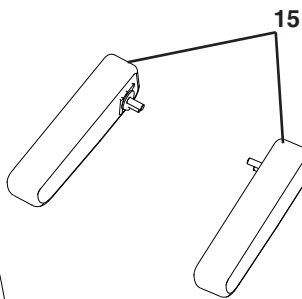
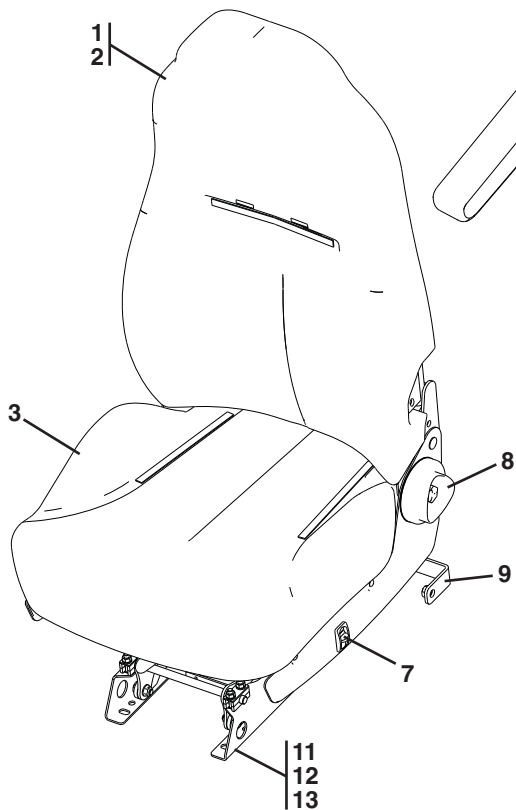
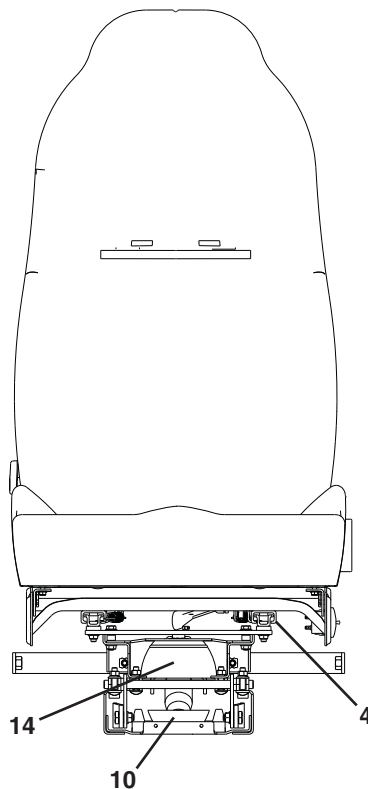
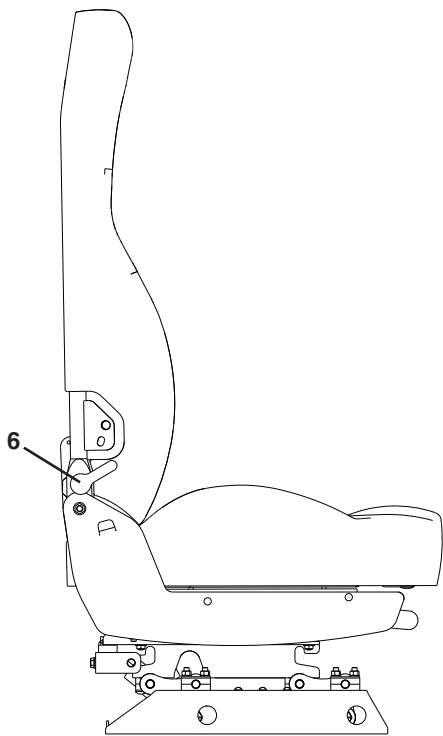
Item	Part Number	Qty.	Description	Rev.



# CAB

After (& including) S/N's  
 XL3100IV - 3120000309 (4x2); 3140000347 (4x4)  
 XL4100IV - 4100000621 (6x4); 4160000066 (6x6)  
 XL5100IV - 5100000605 (6x4 & 6x6)

## Operators Cab Seat, Undercarriage



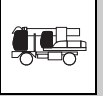
IF YOUR SEAT IS EQUIPPED WITH AN ORANGE SEAT BELT, USE ITEMS 101 & 102 FOR SERVICE.

IF YOUR SEAT IS EQUIPPED WITH A BLACK SEAT BELT, USE PAGE 6-40 FOR SERVICE PARTS IDENTIFICATION.

PAC8001

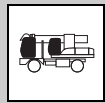
After (& including) S/N's  
 XL3100IV - 3120000309 (4x2); 3140000347 (4x4)  
 XL4100IV - 4100000621 (6x4); 4160000066 (6x6)  
 XL5100IV - 5100000605 (6x4 & 6x6)

**CAB**



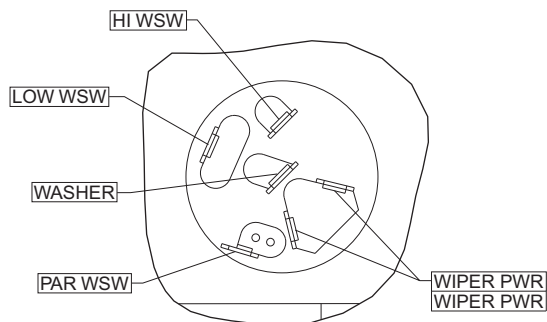
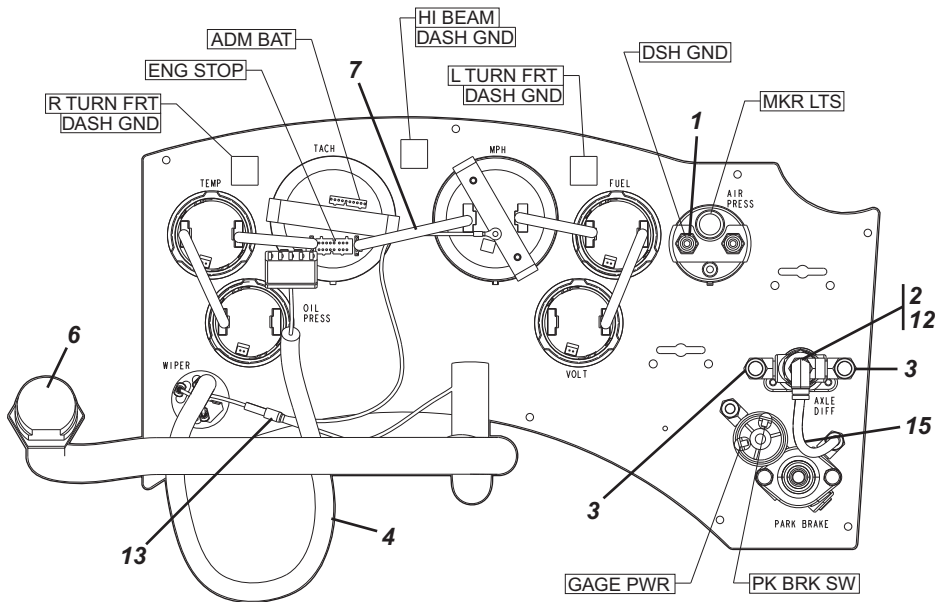
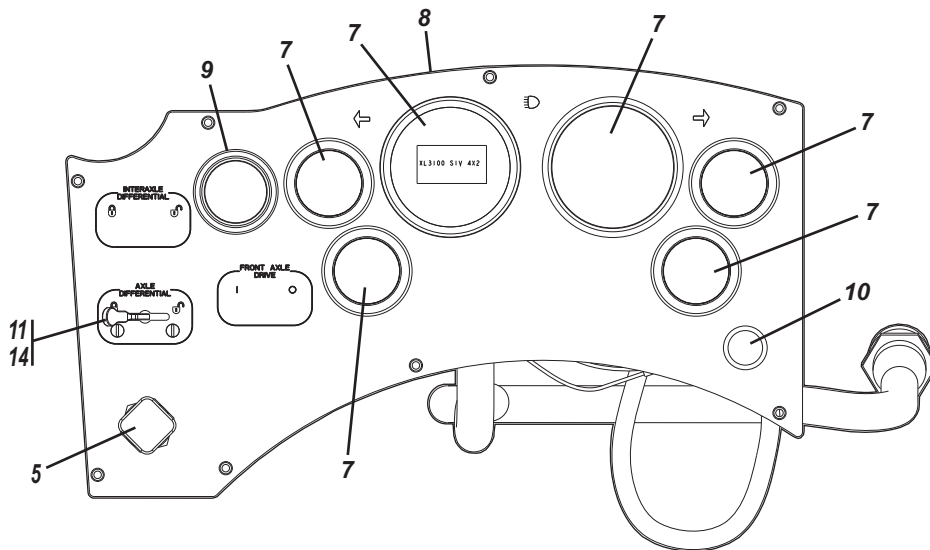
**Operators Cab Seat, Undercarriage**

Item	Part Number	Qty.	Description	Rev.
	80783281	1	CAB SEAT, (includes items 1 thru 14)	C
1	80784236	1	SEAT BACK	
2	80784237	1	SEAT BACK COVER	
3	80784238	1	SEAT CUSHION	
4	80784239	1	7" DOUBLE LOCKING TRACKS	
5	80784240	1	SHOCK ABSORBER, (not illustrated)	
6	80784241	1	LUMBAR ADJUSTMENT LEVER W/PIN	
7	80784242	1	PADDLE AIR VALVE W/HOSES	
8	80784243	1	RECLINER ADJUSTMENT KNOB W/HARDWARE	
9	80784244	1	PIVOT SUSPENSION	
10	80784245	1	AIR SPRING	
11	80784246	1	CAM SUSPENSION	
12	80784247	1	SHOULDER BOLT	
13	80784248	1	RUBBER BUMPER	
14	80784249	1	AIR COMPRESSOR W/MOUNTING BRACKET	
15	80783286	1	ARMREST KIT, (optional; includes mounting hardware)	-
101	80784283	1	ORANGE SEAT BELT KIT, (includes retractor, buckle & hardware)	
102	80784284	1	ORANGE SEAT BELT TETHER KIT, (includes tethers (both sides) & hardware)	

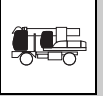


# CAB

## Dash Panel Assembly, XL3100IV (4X2)



BACK VIEW OF WIPER SWITCH

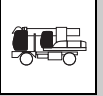


**Dash Panel Assembly, XL3100IV (4X2)**

Item	Part Number	Qty.	Description	Rev.
	80885035	1	DASH PANEL ASSY, XL3100IV (4X2), (includes all items)	-
1	80383145	2	TUBE FITTING, 1/8X1/4 TUBE	
2	80383151	1	TUBE FITTING, 90 DEGREES	
3	80383208	2	TUBE FITTING, 90 DEGREES, 1/8X3/8 TUBE	
4	80483092	1	WIPER HARNESS	
5		Ref	PARK BRAKE VALVE ASSY, (see page 6-84 for details)	
6	80783110	1	DASH HARNESS, 24V	
7	80783169	1	NGI GAUGE KIT, 24V, (includes following 7 items)	C
	80784008	1	TACHOMETER	
	80484127	1	COOLANT TEMPERATURE GAUGE	
	80784009	1	VOLTMETER	
	80784010	1	FUEL/DEF LEVEL GAUGE	
	80484128	1	OIL PSI GAUGE	
	80784011	1	SPEEDOMETER	
	80484130	5	JUMPER HARNESS	
8	80783170	1	DASH PANEL	
9	83481296	1	DUAL PRESSURE GAUGE	
10	83953038	1	WIPER/WASHER SWITCH	
11	86683302	1	LOCKOUT AIR VALVE	
12	86883467	1	STREET TEE, 1/8	
13	86983193	1	MALE BULLET TERMINAL	
14	88301093	2	ROUND HD MACHINE SCREW, #10-24X3/4, GR8	
15		A/R	NYLON TUBING, 1/4	



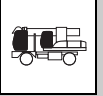




**Dash Panel Assembly, XL3100IV (4X4)**

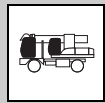
Item	Part Number	Qty.	Description	Rev.
	80885036	1	DASH PANEL ASSY, XL3100IV (4X4), (includes all items)	-
1	80383139	3	TUBE FITTING, 1/8X1/4 TUBE	
2	80383145	2	TUBE FITTING, 1/8X1/4 TUBE	
3	80383208	3	TUBE FITTING, 1/8X3/8 TUBE	
4	80483002	1	WIPER HARNESS	
5		Ref	PARK BRAKE VALVE ASSY, (see page 6-84 for details)	
6	80783110	1	DASH PANEL HARNESS, 24V	
7	80783169	1	NGI GAUGE KIT, 24V	C
	80783169	1	NGI GAUGE KIT, 24V, (includes following 7 items)	
	80784008	1	TACHOMETER	
	80484127	1	COOLANT TEMPERATURE GAUGE	
	80784009	1	VOLTMETER	
	80784010	1	FUEL/DEF LEVEL GAUGE	
	80484128	1	OIL PSI GAUGE	
	80784011	1	SPEEDOMETER	
	80484130	5	JUMPER HARNESS	
8	80783170	1	DASH PANEL	
9	83481296	1	DUAL PRESSURE GAUGE	
10	83953038	1	WIPER/WASHER SWITCH	
11	86683302	2	LOCKOUT AIR VALVE	
12	86883467	2	STREET TEE, 1/8-27	
13	86983193	1	MALE BULLET TERMINAL	
14	88301093	4	ROUND HD MACHINE SCREW. #10-24X3/4, GR8	
15		A/R	NYLON TUBING, 1/4	





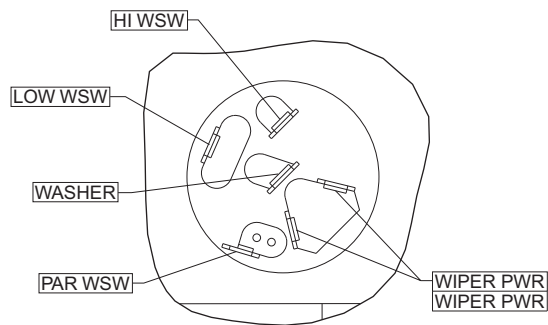
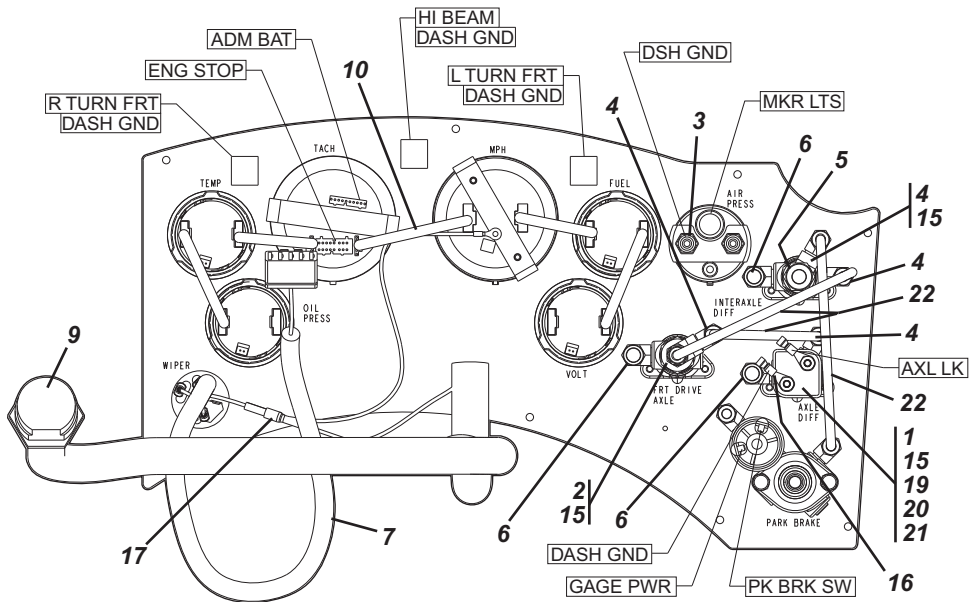
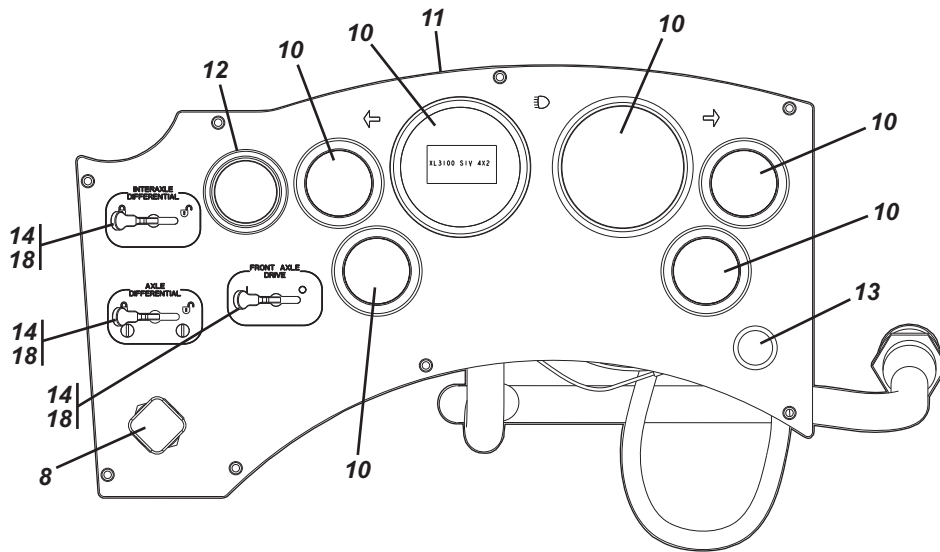
**Dash Panel Assembly, XL4100IV & XL5100IV (6X4)**

Item	Part Number	Qty.	Description	Rev.
	80785075	1	DASH PANEL ASSY, XL4100IV & XL5100IV (6X4), (includes all items)	-
1	77163231	1	STOP LIGHT SWITCH	
2	80383145	2	TUBE FITTING, 1/8X14 TUBE	
3	80383151	3	TUBE FITTING, 90 DEGREES	
4	80383206	1	TUBE FITTING, 1/8X3/8 TUBE	
5	80383208	2	TUBE FITTING, 90 DEGREES, 1/8X3/8 TUBE	
6	80483092	1	WIPER HARNESS	
7		Ref	PARK BRAKE VALVE ASSY, (see page 6-84 for details)	
8	80783110	1	DASH PANEL HARNESS, 24V	
9	80783169	1	NGI GAUGE KIT, 24V, (includes following 7 items)	C
	80784008	1	TACHOMETER	
	80484127	1	COOLANT TEMPERATURE GAUGE	
	80784009	1	VOLTMETER	
	80784010	1	FUEL/DEF LEVEL GAUGE	
	80484128	1	OIL PSI GAUGE	
	80784011	1	SPEEDOMETER	
	80484130	5	JUMPER HARNESS	
10	80783170	1	DASH PANEL	
11	83481296	1	DUAL PRESSURE GAUGE	
12	83953038	1	WIPER/WASHER SWITCH	
13	86683302	2	LOCKOUT AIR VALVE	
14	86883467	2	STREET TEE, 1/8	
15	86983188	2	#10 RING TERMINAL	
16	86983193	1	MALE BULLET TERMINAL	
17	88301093	4	ROUND HD MACHINE SCREW, #10-24X3/4, GR8	
18	88501613	2	HEX NUT, #10-32	
19	88551007	2	LOCKWASHER, #10	
20	88711571	1	REDUCING BUSHING, 1/4X1/8	
21		A/R	NYLON TUBING, 1/4	

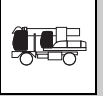


# CAB

## Dash Panel Assembly, XL4100IV & XL5100IV (6X6)



BACK VIEW OF WIPER SWITCH



**Dash Panel Assembly, XL4100IV & XL5100IV (6X6)**

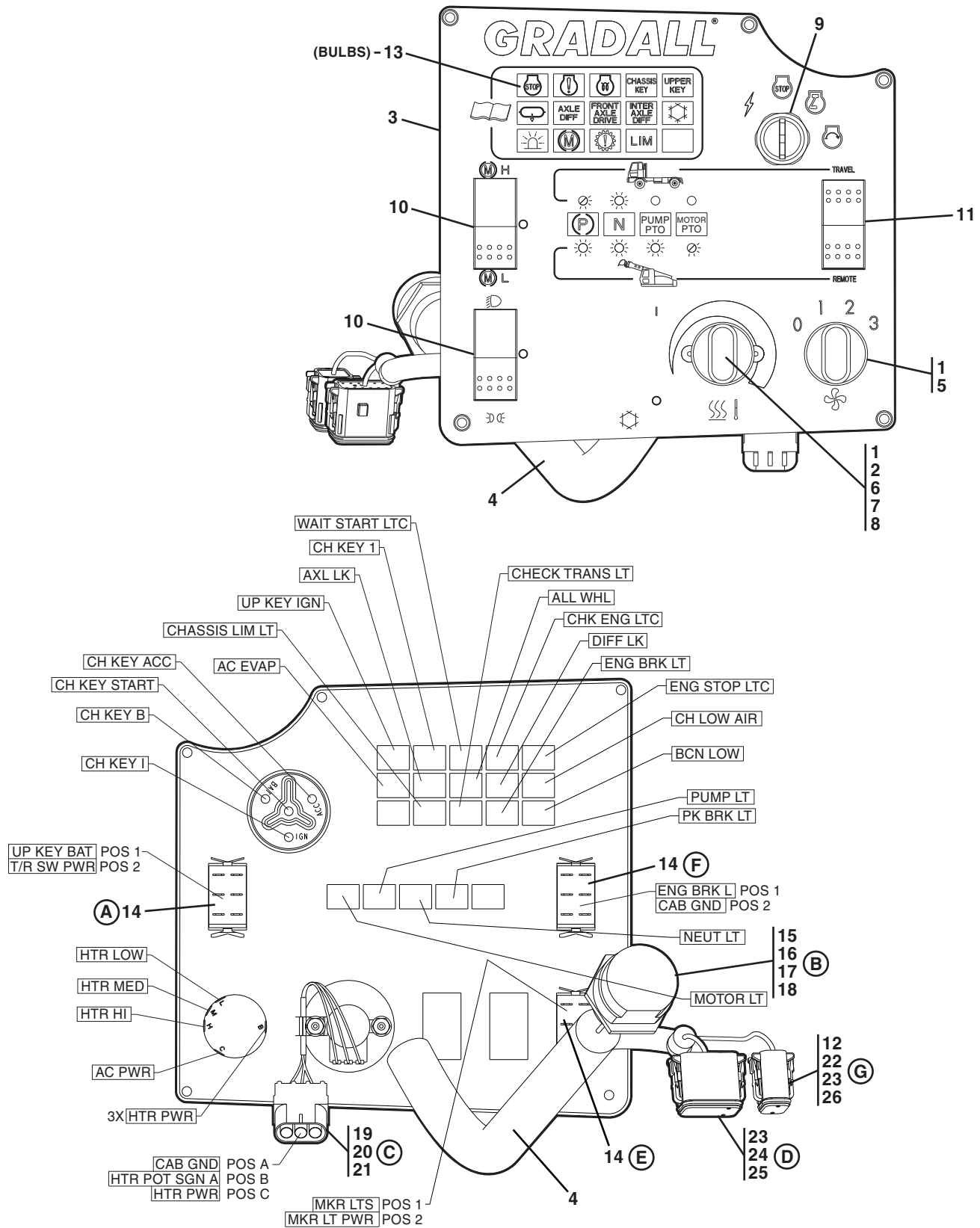
Item	Part Number	Qty.	Description	Rev.
	80785077	1	DASH PANEL ASSY, XL4100IV & XL5100IV, (6X6), (includes all items)	-
1	77163231	1	STOP LIGHT SWITCH	
2	80383139	1	TUBE FITTING, 1/8X1/4 TUBE	
3	80383145	2	TUBE FITTING, 1/8X1/4 TUBE	
4	80383151	4	TUBE FITTING, 90 DEGREES	
5	80383206	1	TUBE FITTING, 1/8X3/8 TUBE	
6	80383208	3	TUBE FITTING, 90 DEGREES, 1/8X3/8 TUBE	
7	80483092	1	WIPER HARNESS	
8		Ref	PARK BRAKE VALVE ASSY, (see page 6-84 for details)	
9	80783110	1	DASH PANEL HARNESS	
10	80783169	1	NGI GAUGE KIT, 24V, (includes following 7 items)	C
	80784008	1	TACHOMETER	
	80484127	1	COOLANT TEMPERATURE GAUGE	
	80784009	1	VOLTMETER	
	80784010	1	FUEL/DEF LEVEL GAUGE	
	80484128	1	OIL PSI GAUGE	
	80784011	1	SPEEDOMETER	
	80484130	5	JUMPER HARNESS	
11	80783170	1	DASH PANEL	
12	83481296	1	DUAL PRESSURE GAUGE	
13	83953038	1	WIPER/WASHER SWITCHH	
14	86683302	3	LOCKOUT AIR VALVE	
15	86883467	3	STREET TEE, 1/8	
16	86983188	2	#10 RING TERMINAL	
17	86983193	1	MALE BULLET TERMINAL	
18	88301093	6	ROUND HD MACHINE SCREW, #10-24X3/4, GR8	
19	88501613	2	HEX NUT, #10-32	
20	88551007	2	LOCKWASHER, #10	
21	88711571	1	REDUCING BUSHING, 1/4X1/8	
22		A/R	NYLON TUBING, 1/4	



# CAB

Before S/N's  
 XL3100IV - 3120000294 (4x2); 3140000340 (4x4)  
 XL4100IV - 4100000602 (6x4); 4160000061 (6x6)  
 XL5100IV - 5100000603 (6x4 & 6x6)

## Switch Panel Assembly



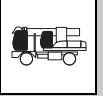
Before S/N's

XL3100IV - 3120000294 (4x2); 3140000340 (4x4)

XL4100IV - 4100000602 (6x4); 4160000061 (6x6)

XL5100IV - 5100000603 (6x4 & 6x6)

CAB



### Switch Panel Assembly

(A)

CONN POS	WIRE DESIGNATION	WIRE GAUGE
1	UP KEY BAT	16
2	T/R SW PWR	16
3	CH KEY B	16
4	RMT	16
5	T/R SW PWR	16
6	TRAV	16
7	EMPTY	-
8	EMPTY	-

(B)

CONN POS	WIRE DESIGNATION	WIRE GAUGE
1	T/R SW PWR	16
2	CH KEY STRT	16
3	CH KEY 1	16
4	CH KEY ACC	16
5	ENG STOP LTC	16
6	CHK ENG LTC	16
7	WAIT START LTC	16
8	PK BRK LT	16
9	NEUT LT	16
10	PUMP LT	16
11	MOTOR LT	16
12	PLUGGED	-
13	UP KEY IGN	16
14	PLUGGED	-
15	ALL WHL	16
16	DIFF LK	16
17	AXL LK	16
18	PLUGGED	16
19	MKR LT PWR	16
20	MKR LTS	16
21	HD LTS	16
22	HD LTS PWR	16
23	UP KEY BAT	16
24	T/R IGN PWR	16
25	TRAV	16
26	RMT	16
27	SW PNL GND	16
28	CH LOW AIR	16
29	BCN PWR	16
30	HTR PWR	16
31	HTR PWR	16

(C)

CONN POS	WIRE DESIGNATION	WIRE GAUGE
A	CAB GND	16
B	HTR POT SGN A	16
C	12V ACC	16

(G)

CONN POS	WIRE DESIGNATION	WIRE GAUGE
1	CHASS LIM LT	16
2	PLUGGED	-

(F)

(FOR MACHINES WITH POWER UNIT ASSEMBLIES EQUIPPED W/EXHAUST BRAKE ONLY)

CONN POS	WIRE DESIGNATION	WIRE GAUGE
1	ENG BRK L	16
2	CAB GND	16
3	ENG BRK H	16
4	ENG BRK LT	16
5	CAB GND	16
6	ENG BRK LT	16
7	EMPTY	-
8	EMPTY	-

(E)

CONN POS	WIRE DESIGNATION	WIRE GAUGE
1	MKR LTS	16
2	MKR LT PWR	16
3	MKR LTS	16
4	EMPTY	-
5	HD LTS PWR	16
6	HD LTS	16
7	EMPTY	-
8	EMPTY	-

(D)

CONN POS	WIRE DESIGNATION	WIRE GAUGE
1	BCN LOW	16
2	CAB GND	16
3	BCN HI	16
4	AC EVAP	16
5	ENG BRK L	16
6	ENG BRK H	16
7	HTR POT SGN B	16
8	HTR LOW	16
9	HTR MED	16
10	HTR HI	16
11	CHECK TRAN LT	16
12	12V ACC	16



**CAB**

Before S/N's

XL3100IV - 3120000294 (4x2); 3140000340 (4x4)

XL4100IV - 4100000602 (6x4); 4160000061 (6x6)

XL5100IV - 5100000603 (6x4 & 6x6)

**Switch Panel Assembly**

Item	Part Number	Qty.	Description	Rev.
	80785076	1	SWITCH PANEL ASSY, (includes all items) (no longer available; order 80785111 (located on page 6-74) for complete switch panel replacement)	C
	80785078	1	SWITCH PANEL ASSY, (includes all items; used with power unit assemblies equipped w/exhaust brake only) (no longer available; order 80785112 (located on page 6-74) for complete switch panel replacement)	C
1	80363069	2	KNOB	
2	80785113	1	POTENTIOMETER SERVICE KIT, (includes qty 1 of item 1 & item 2 on page 6-74)	-
3	80783114	1	SWITCH PANEL, 24V	
4	80783113	1	SWITCH PANEL HARNESS, 24V, (includes items 14 thru 28)	C
5	80964001	1	BLOWER SWITCH	
6	88241018	2	FLAT HD MACHINE SCREW, #8-32X5/16	
7	88501610	2	HEX NUT, #8-32	
8	88561104	2	FLAT WASHER, #8	
9	91033317	1	IGNITION SWITCH	
	77384578	1	IGNITION SWITCH KEY	
10	91403320	1	ROCKER SWITCH, (quantity of 2 for 80785078 switch panel assy)	
11	80383113	1	ROCKER SWITCH	
12	VA603089	1	LOCK	
13	80784082	18	BULB, 24V	
14	80363160	2	TERMINAL, (quantity of 3 for 80785078 switch panel assy)	
15	86984560	1	CONNECTOR	
16	83481286	1	NUT	
17	83481285	1	LOCKWASHER	
18	77363228	31	PIN CONTACT	
19	80963059	1	WEATHERPACK TOWER, (3-wire)	
20	80963066	1	CABLE SEAL, 16GA., (gray)	
21	80963068	3	FEMALE TERMINAL PIN	
22	77363230	1	PLUG	
23	77363229	13	PIN CONTACT	
24	80604016	1	LOCK	
25	91504046	1	CONNECTOR	
26	VA603084	1	CONNECTOR	

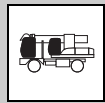


Before S/N's  
XL3100IV - 3120000294 (4x2); 3140000340 (4x4)  
XL4100IV - 4100000602 (6x4); 4160000061 (6x6)  
XL5100IV - 5100000603 (6x4 & 6x6)



**Switch Panel Assembly**

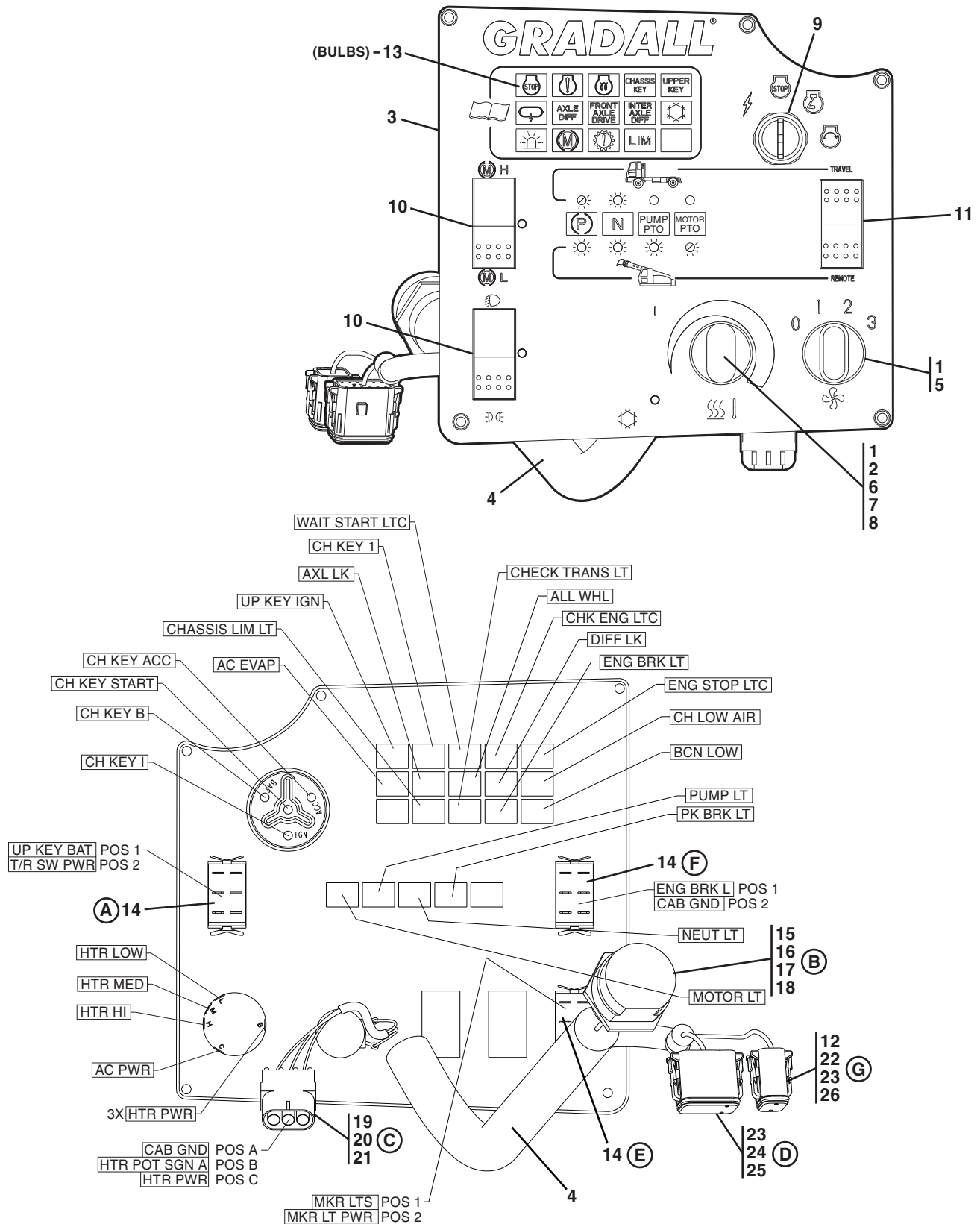
Item	Part Number	Qty.	Description	Rev.



# CAB

After (& including) S/N's  
 XL3100IV - 3120000294 (4x2); 3140000340 (4x4)  
 XL4100IV - 4100000602 (6x4); 4160000061 (6x6)  
 XL5100IV - 5100000603 (6x4 & 6x6)

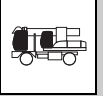
## Switch Panel Assembly



PAC13610

After (& including) S/N's  
 XL3100IV - 3120000294 (4x2); 3140000340 (4x4)  
 XL4100IV - 4100000602 (6x4); 4160000061 (6x6)  
 XL5100IV - 5100000603 (6x4 & 6x6)

CAB



Switch Panel Assembly

(A)

CONN POS	WIRE DESIGNATION	WIRE GAUGE
1	UP KEY BAT	16
2	T/R SW PWR	16
3	CH KEY B	16
4	RMT	16
5	T/R SW PWR	16
6	TRAV	16
7	EMPTY	-
8	EMPTY	-

(B)

CONN POS	WIRE DESIGNATION	WIRE GAUGE
1	T/R SW PWR	16
2	CH KEY STRT	16
3	CH KEY 1	16
4	CH KEY ACC	16
5	ENG STOP LTC	16
6	CHK ENG LTC	16
7	WAIT START LTC	16
8	PK BRK LT	16
9	NEUT LT	16
10	PUMP LT	16
11	MOTOR LT	16
12	PLUGGED	-
13	UP KEY IGN	16
14	PLUGGED	-
15	ALL WHL	16
16	DIFF LK	16
17	AXL LK	16
18	PLUGGED	16
19	MKR LT PWR	16
20	MKR LTS	16
21	HD LTS	16
22	HD LTS PWR	16
23	UP KEY BAT	16
24	T/R IGN PWR	16
25	TRAV	16
26	RMT	16
27	SW PNL GND	16
28	CH LOW AIR	16
29	BCN PWR	16
30	HTR PWR	16
31	HTR PWR	16

(C)

CONN POS	WIRE DESIGNATION	WIRE GAUGE
A	CAB GND	16
B	HTR POT SGN A	16
C	12V ACC	16

(G)

CONN POS	WIRE DESIGNATION	WIRE GAUGE
1	CHASS LIM LT	16
2	PLUGGED	-

(F)

(FOR MACHINES WITH  
 POWER UNIT ASSEMBLIES  
 EQUIPPED W/EXHAUST BRAKE ONLY)

CONN POS	WIRE DESIGNATION	WIRE GAUGE
1	ENG BRK L	16
2	CAB GND	16
3	ENG BRK H	16
4	ENG BRK LT	16
5	CAB GND	16
6	ENG BRK LT	16
7	EMPTY	-
8	EMPTY	-

(E)

CONN POS	WIRE DESIGNATION	WIRE GAUGE
1	MKR LTS	16
2	MKR LT PWR	16
3	MKR LTS	16
4	EMPTY	-
5	HD LTS PWR	16
6	HD LTS	16
7	EMPTY	-
8	EMPTY	-

(D)

CONN POS	WIRE DESIGNATION	WIRE GAUGE
1	BCN LOW	16
2	CAB GND	16
3	BCN HI	16
4	AC EVAP	16
5	ENG BRK L	16
6	ENG BRK H	16
7	HTR POT SGN B	16
8	HTR LOW	16
9	HTR MED	16
10	HTR HI	16
11	CHECK TRAN LT	16
12	12V ACC	16



# CAB

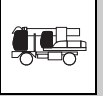
After (& including) S/N's  
 XL3100IV - 3120000294 (4x2); 3140000340 (4x4)  
 XL4100IV - 4100000602 (6x4); 4160000061 (6x6)  
 XL5100IV - 5100000603 (6x4 & 6x6)

## Switch Panel Assembly

Item	Part Number	Qty.	Description	Rev.
	80785111	1	SWITCH PANEL ASSY, (includes all items)	-
	80785112	1	SWITCH PANEL ASSY, (includes all items; used with power unit assemblies equipped w/exhaust brake only)	-
1	80363069	2	KNOB	
2	80785110	1	POTENTIOMETER ASSY, (10k ohms), (includes the following items)	-
	80563012	1	POTENTIOMETER, (10k, 27mm rotary)	
	80783278	1	POTENTIOMETER HARNESS	
3	80783279	1	SWITCH PANEL, 24V	
4	80783113	1	SWITCH PANEL HARNESS, 24V, (includes items 14 thru 28)	C
5	80964001	1	BLOWER SWITCH	
6	88241018	2	FLAT HD MACHINE SCREW, #8-32X5/16	
7	88501610	2	HEX NUT, #8-32	
8	88561104	2	FLAT WASHER, #8	
9	91033317	1	IGNITION SWITCH	
	77384578	1	IGNITION SWITCH KEY	
10	91403320	1	ROCKER SWITCH, (quantity of 2 for 80785112 switch panel assy)	
11	80383113	1	ROCKER SWITCH	
12	VA603089	1	LOCK	
13	80784082	18	BULB, 24V	
14	80363160	2	TERMINAL, (quantity of 3 for 80785112 switch panel assy)	
15	86984560	1	CONNECTOR	
16	83481286	1	NUT	
17	83481285	1	LOCKWASHER	
18	77363228	31	PIN CONTACT	
19	80963059	1	WEATHERPACK TOWER, (3-wire)	
20	80963066	1	CABLE SEAL, 16GA., (gray)	
21	80963068	3	FEMALE TERMINAL PIN	
22	77363230	1	PLUG	
23	77363229	13	PIN CONTACT	
24	80604016	1	LOCK	
25	91504046	1	CONNECTOR	
26	VA603084	1	CONNECTOR	

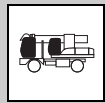
After (& including) S/N's  
XL3100IV - 3120000294 (4x2); 3140000340 (4x4)  
XL4100IV - 4100000602 (6x4); 4160000061 (6x6)  
XL5100IV - 5100000603 (6x4 & 6x6)

**CAB**

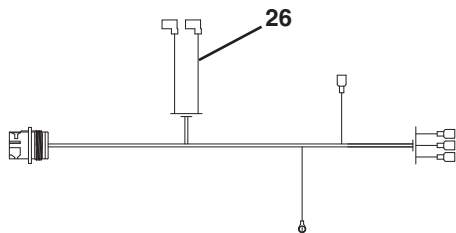
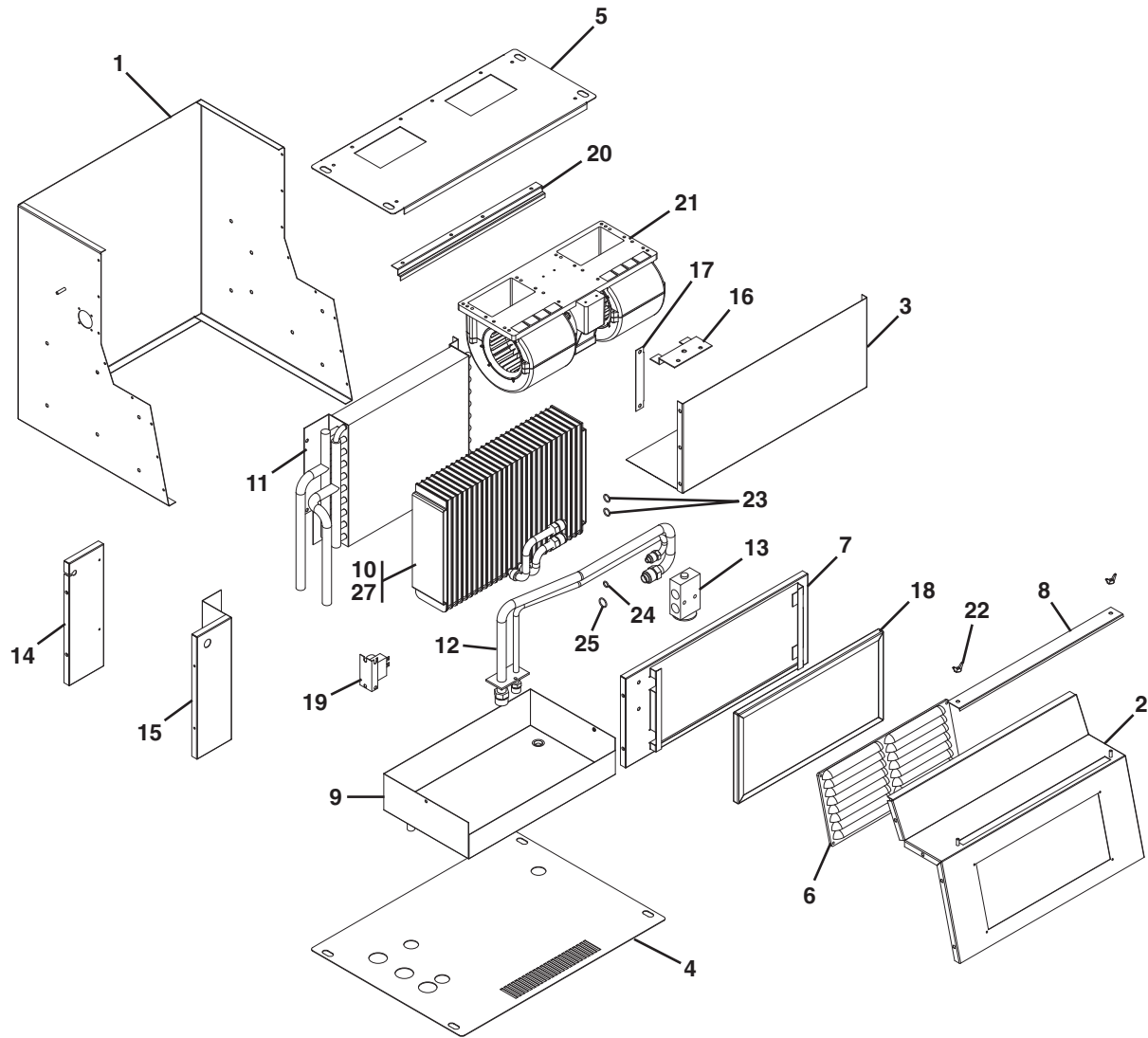


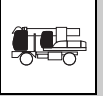
**Switch Panel Assembly**

Item	Part Number	Qty.	Description	Rev.



Evaporator & Heater Assembly, Undercarriage



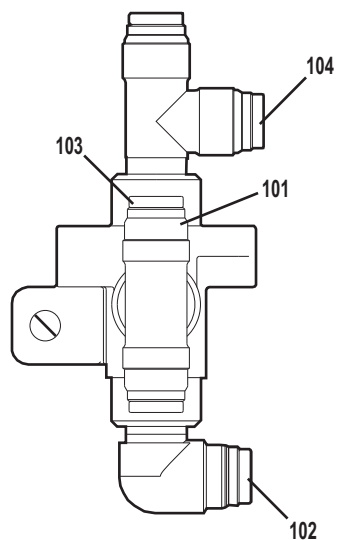
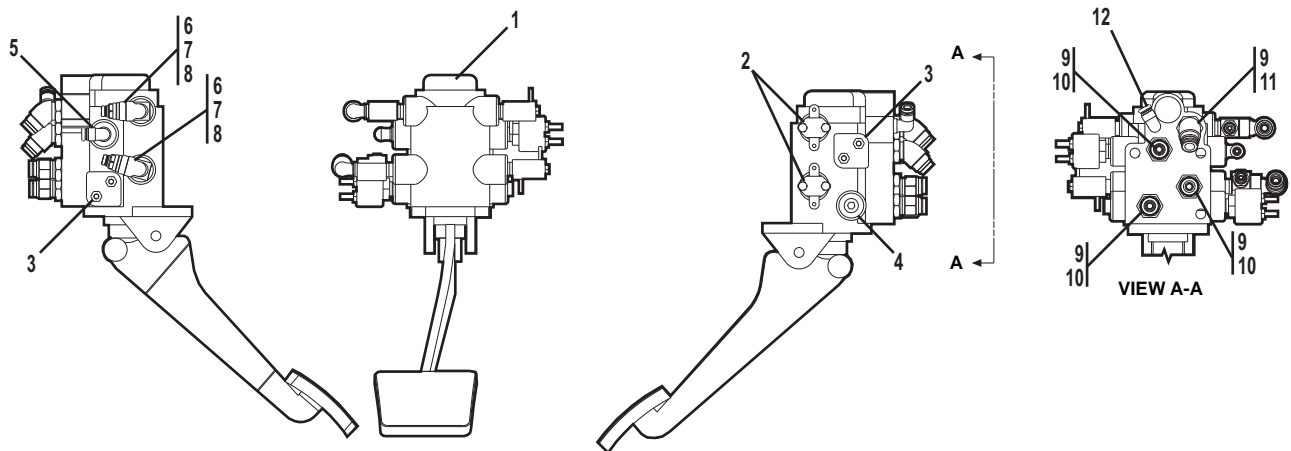


### Evaporator & Heater Assembly, Undercarriage

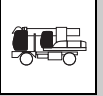
Item	Part Number	Qty.	Description	Rev.
	80783105	1	EVAPORATOR & HEATER ASSY	A
1	80784018	1	MAIN HOUSING	
2	80784019	1	FRONT HOUSING	
3	80784020	1	DIVIDER PLATE	
4	80784021	1	BOTTOM MOUNTING PLATE	
5	80784022	1	TOP/BLOWER HOUSING	
6	80784023	1	GRILLE	
7	80784024	1	FILTER PLATE	
8	80784025	1	FILTER COVER	
9	80784026	1	DRAIN PAN	
10	80784027	1	A/C EVAP COIL	
11	80784028	1	HEATER COIL	
12	80784029	1	TUBE ASSY	
13	80784030	1	EXPANSION BLOCK VALVE	
14	80784031	1	HEATER COIL PLATE	
15	80784032	1	BLOCK OFF PLATE	
16	80784033	1	BLOWER SUPPORT BRACKET	
17	80784034	1	COIL SUPPORT BRACKET	
18	80784035	1	FILTER	
19	80763057	1	THERMOSTAT	
20	80784037	1	LOWER BLOWER MOUNTING BRACKET	
21	80784038	1	BLOWER ASSY	
22	80784039	2	WING NUT	
23	80363103	2	O-RING	
24	80363102	1	O-RING	
25	80363104	1	O-RING	
26	80784043	1	BLOWER HARNESS	
27	80764202	2	FOAM, (trim to fit)	



Brake Pedal & Double Check Valve Assemblies





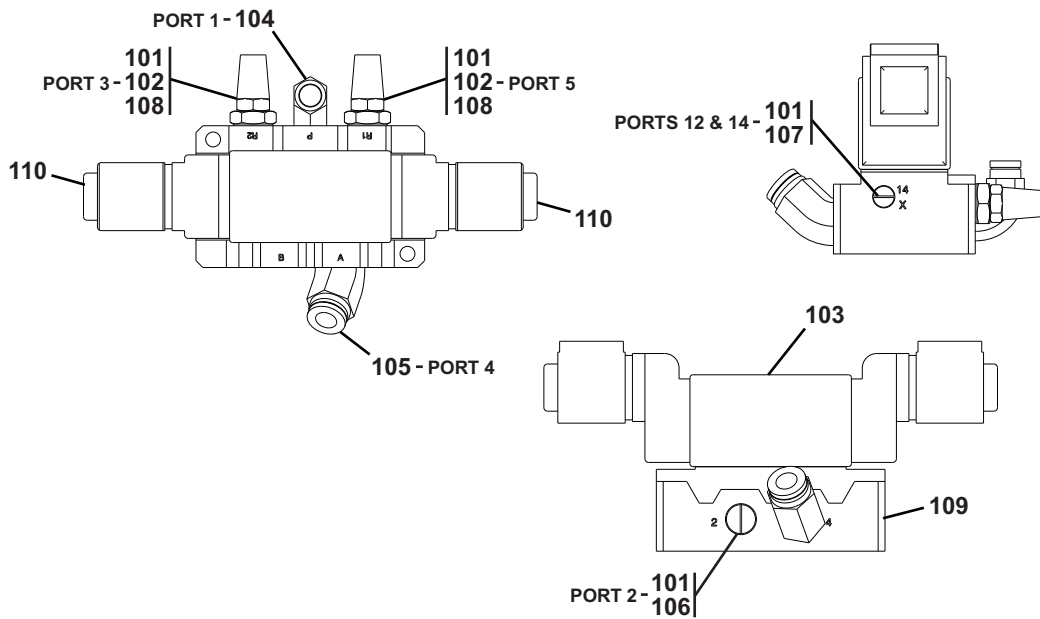
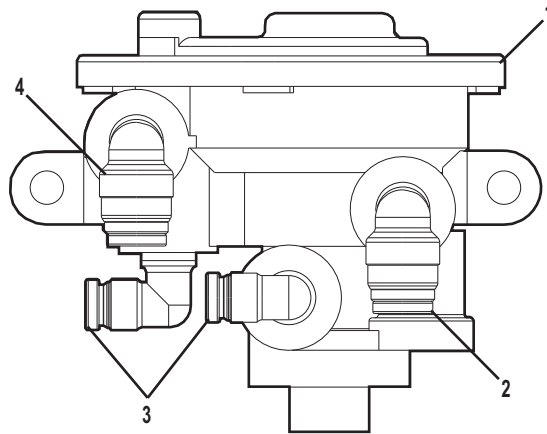


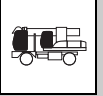
**Brake Pedal & Double Check Valve Assemblies**

Item	Part Number	Qty.	Description	Rev.
			FOOT PEDAL VALVE ASSY	
1	80383064	1	FOOT PEDAL VALVE	
2	86883033	2	LOW PRESSURE INDICATOR	
3	77163231	2	STOP LIGHT SWITCH	
4	88711281	1	HEX PLUG, 1/4	
5	80383152	1	TUBE FITTING, 90 DEGREES, 1/4X1/4 TUBE	
6	86883118	2	STREET TEE, 1/4	
7	80383153	2	TUBE FITTING, 90 DEGREES, 1/4X3/8 TUBE	
8	80383140	2	TUBE FITTING, STRAIGHT, 1/4X1/4	
9	80383215	4	REDUCING BUSHING, 1/2X3/8	
10	80383142	3	TUBE FITTING, STRAIGHT, 3/8X3/8 TUBE	
11	80383167	1	TUBE FITTING, 45 DEGREES, 3/8X3/8	
12	80383151	1	TUBE FITTING, 90 DEGREES, 1/8X1/4 TUBE	
			DOUBLE CHECK VALVE ASSY	
101	86683293	1	DOUBLE CHECK VALVE	
102	80383154	1	TUBE FITTING, 90 DEGREES, 3/8X3/8	
103	80383191	1	BRANCH TEE, 3/8X3/8	
104	80383179	1	RUN TEE, 3/8X3/8	



Swing Brake Control & 4-Way Air Valve Assemblies





**Swing Brake Control & 4-Way Air Valve Assemblies**

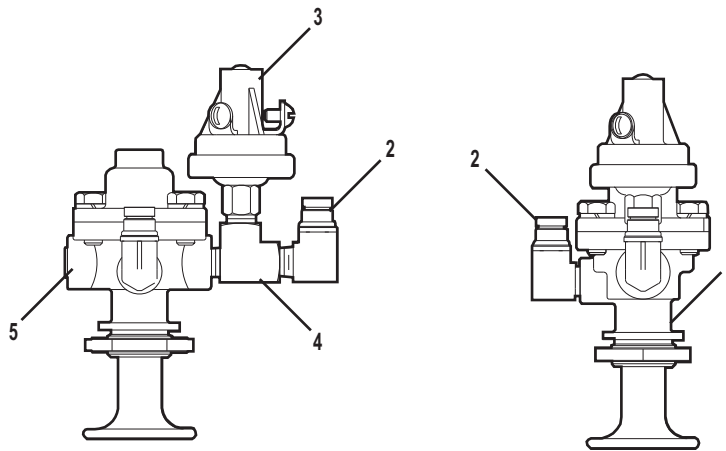
Item	Part Number	Qty.	Description	Rev.
			SPRING BRAKE CONTROL VALVE ASSY	
1	86883030	1	CONTROL VALVE	
2	80383153	1	TUBE FITTING, 90 DEGREES, 1/4X3/8 TUBE	
3	80383152	2	TUBE FITTING, 90 DEGREES, 1/4X1/4 TUBE	
4	80383160	1	TUBE FITTING, 90 DEGREES, 1/4X3/8 TUBE	
			4-WAY AIR VALVE ASSY	
101	14404082	A/R	LOCTITE, (#565 white)	
102	77383551	2	EXHAUST MUFFLER, 1/4	
103	80783210	1	4-WAY AIR VALVE, (includes item 110)	
104	80383153	1	TUBE FITTING, 90 DEGREES, 1/4X3/8 TUBE	
105	80383166	1	TUBE FITTING, 90 DEGREES, 1/4X3/8 TUBE	
106	80383221	1	SLOTTED PLUG FITTING, 1/4	
107	80383222	2	SLOTTED PLUG FITTING, 1/8	
108	80383301	2	BRASS BUSHING	
109	80783055	1	SUBBASE	
110	80784045	2	COIL, 24 VDC	

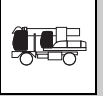


CAB

### Parking Brake Valve Assembly

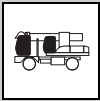
---





**Parking Brake Valve Assembly**

Item	Part Number	Qty.	Description	Rev.
1	86883028	1	PARKING BRAKE VALVE	
2	80383151	2	TUBE FITTING, 90 DEGREES, 1/8X1/4 TUBE	
3	80383366	1	PRESSURE SWITCH	
4	86883467	1	STREET TEE, 1/8X1/8	
5	88711280	1	PIPE PLUG, 1/4	



**CAB**

**This Page Intentionally Left Blank**