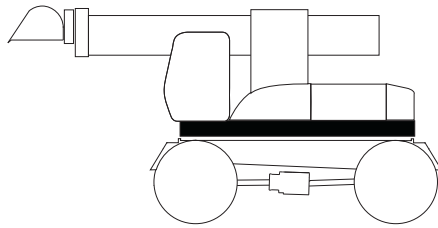


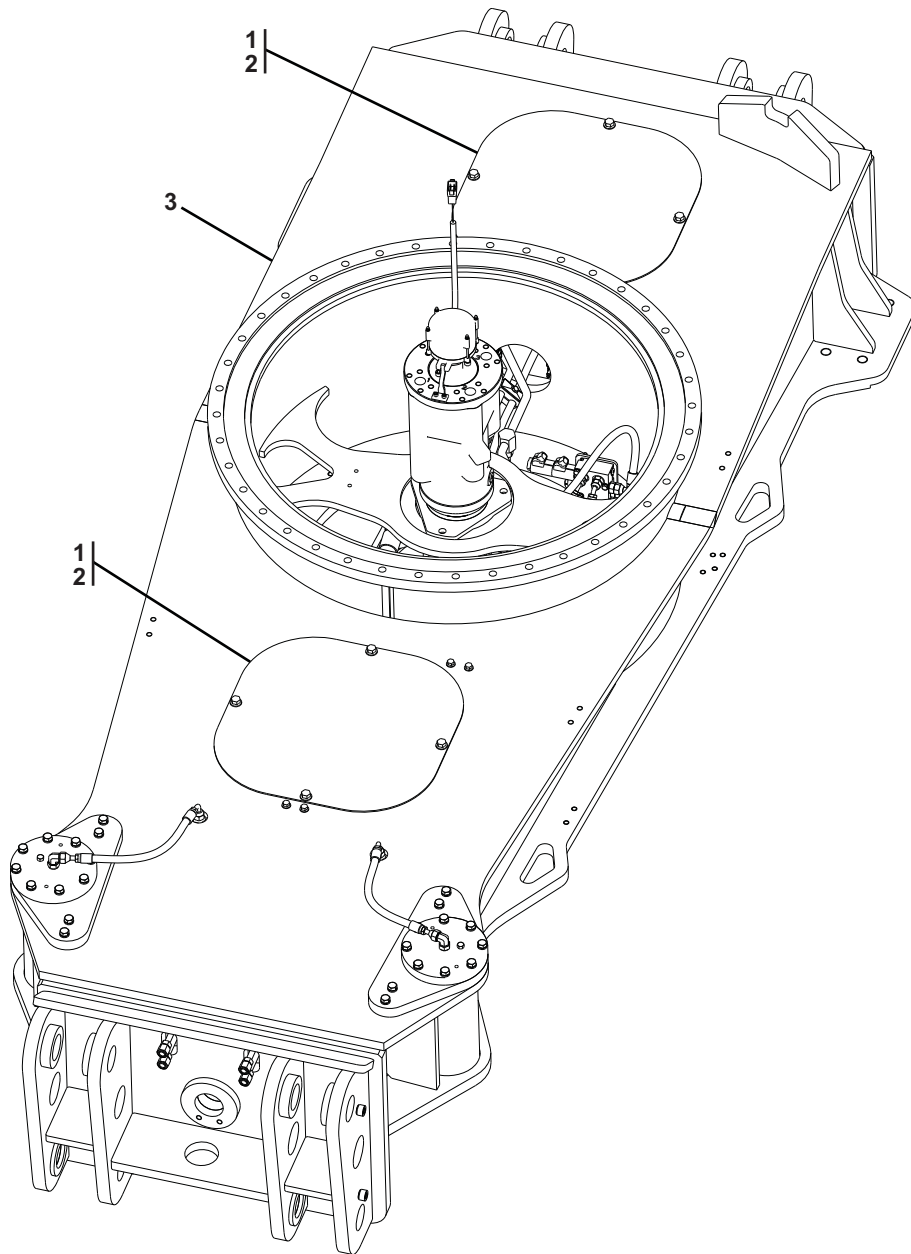
SECTION 1 - FRAME & ATTACHING PARTS



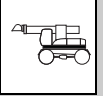


FRAME & ATTACHING PARTS

Frame & Cover Plate Installation



FRAME & ATTACHING PARTS



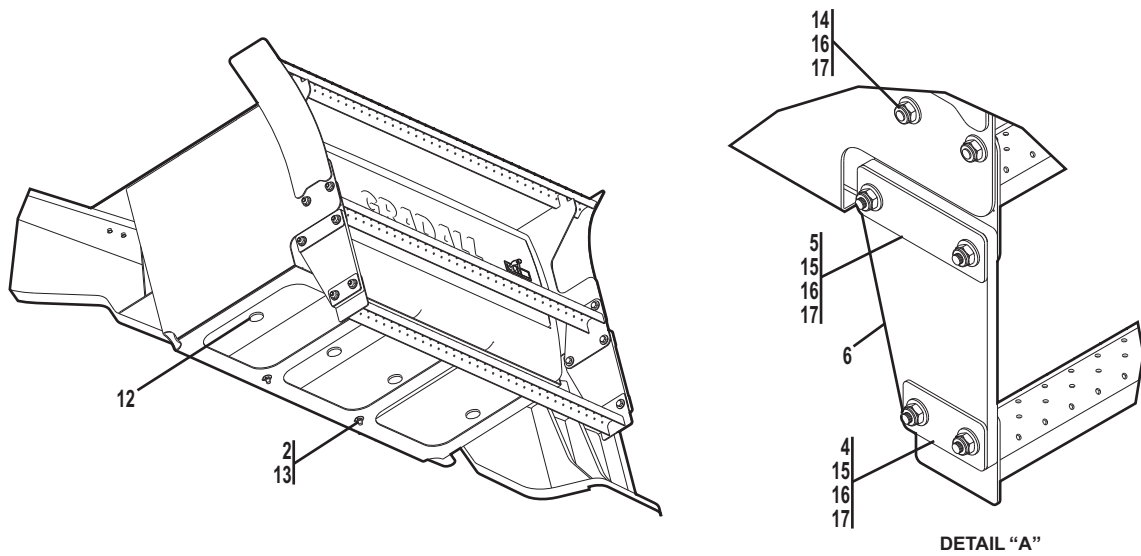
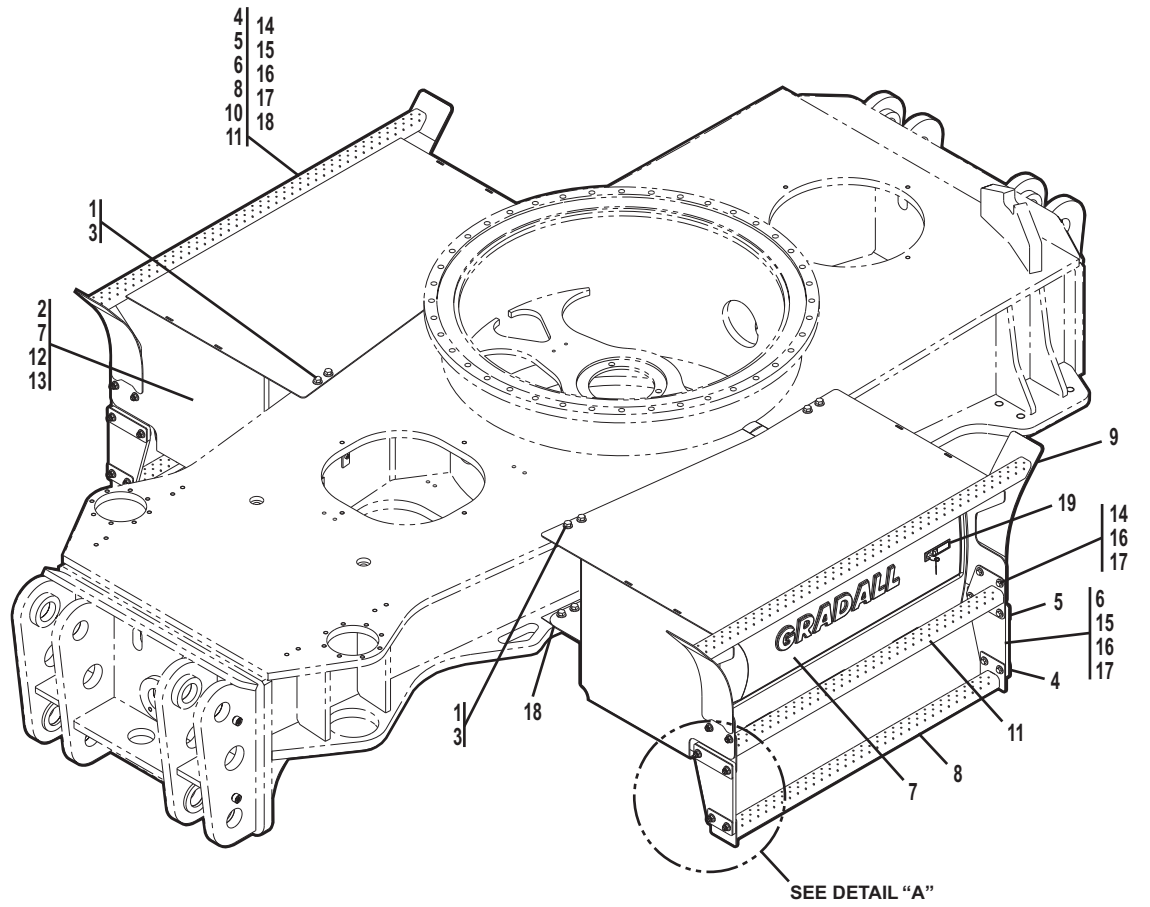
Frame & Cover Plate Installation

Item	Part Number	Qty.	Description	Rev.
1	80223034	8	WHIZ-LOK SCREW, 1/2-13X3/4	
2	80791011	2	COVER PLATE	
3	80796001	1	FRAME WELDMENT	

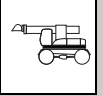


FRAME & ATTACHING PARTS

Tool Boxes & Steps Installation



FRAME & ATTACHING PARTS



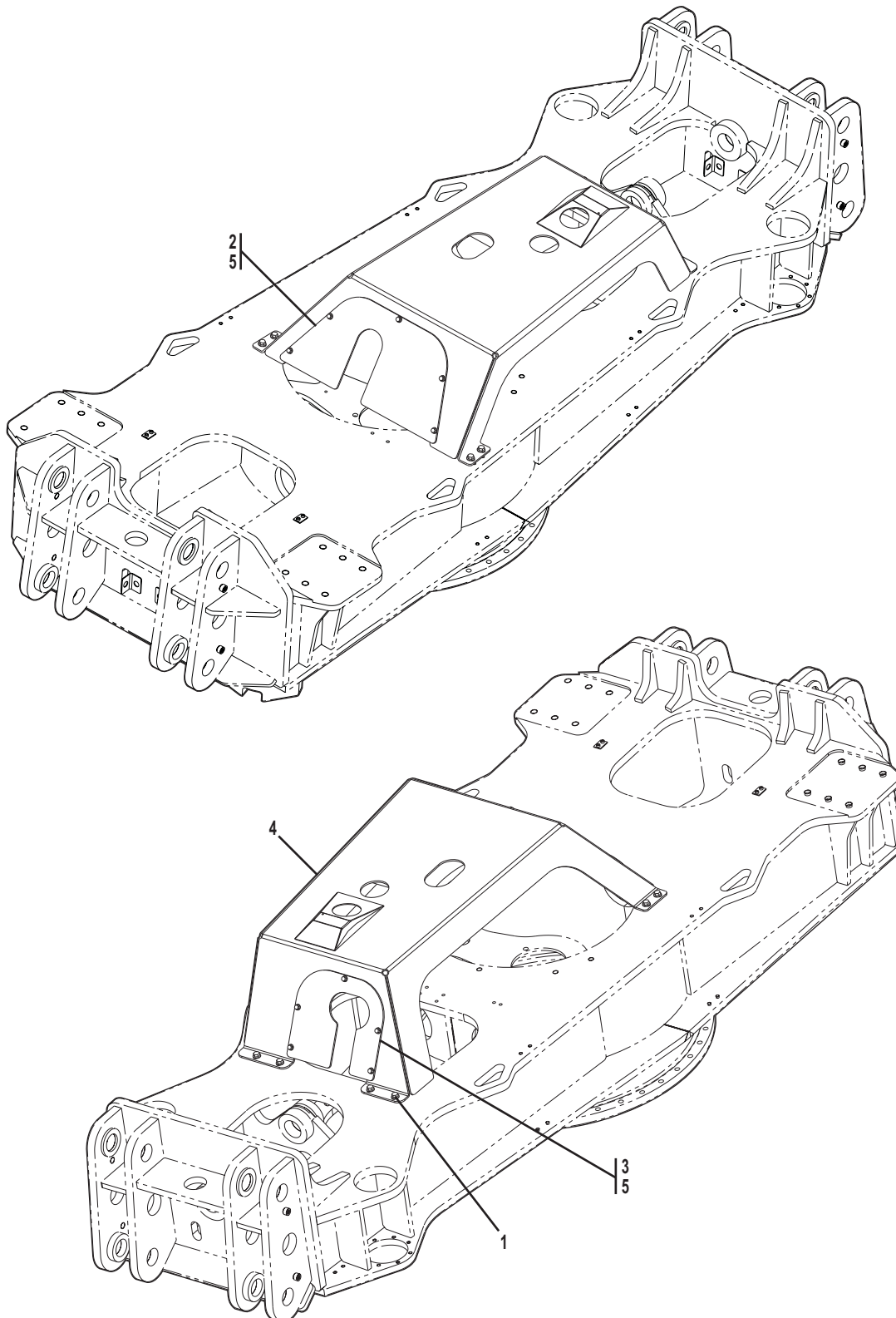
Tool Boxes & Steps Installation

Item	Part Number	Qty.	Description	Rev.
1	14403364	A/R	LOCTITE, (#242 blue)	
2	77143015	8	WHIZ-LOK NUT, 3/8-16	
3	80223034	16	WHIZ-LOK, 1/2-13X3/4, (loctite & torque 108-113 lb-ft)	
4	80271315	4	CAP PLATE	
5	80271316	4	CAP PLATE	
6	80273104	4	STEP SUPPORT	
7	80793024	2	TOOL BOX ASSY, (includes item 19)	
8	80306044	2	BOTTOM RUNG WELDMENT	
9	80796006	1	LEFT STEP WELDMENT	
10	80796007	1	RIGHT STEP WELDMENT	
11	80796010	2	MIDDLE STEP WELDMENT	
12	80963307	8	PRY-OUT PLUG	
13	80973025	8	WHIZ-LOK SCREW, 3/8-16X1	
14	88201035	8	HEX HD CAPSCREW, 3/8-16X1, GR5	
15	88201037	16	HEX HD CAPSCREW, 3/8-16X1-1/2, GR5	
16	88521306	24	HEX LOCKNUT, 3/8-16	
17	88561004	48	FLAT WASHER, 3/8	
18	91401453	A/R	SHIM, 2X8X16	
19	80794032	2	TOOL BOX LATCH w/KEY (751CH)	
	91144470	2	TOOL BOX LATCH KEY (751CH)	

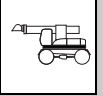


FRAME & ATTACHING PARTS

Skid Plate Installation

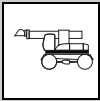


FRAME & ATTACHING PARTS



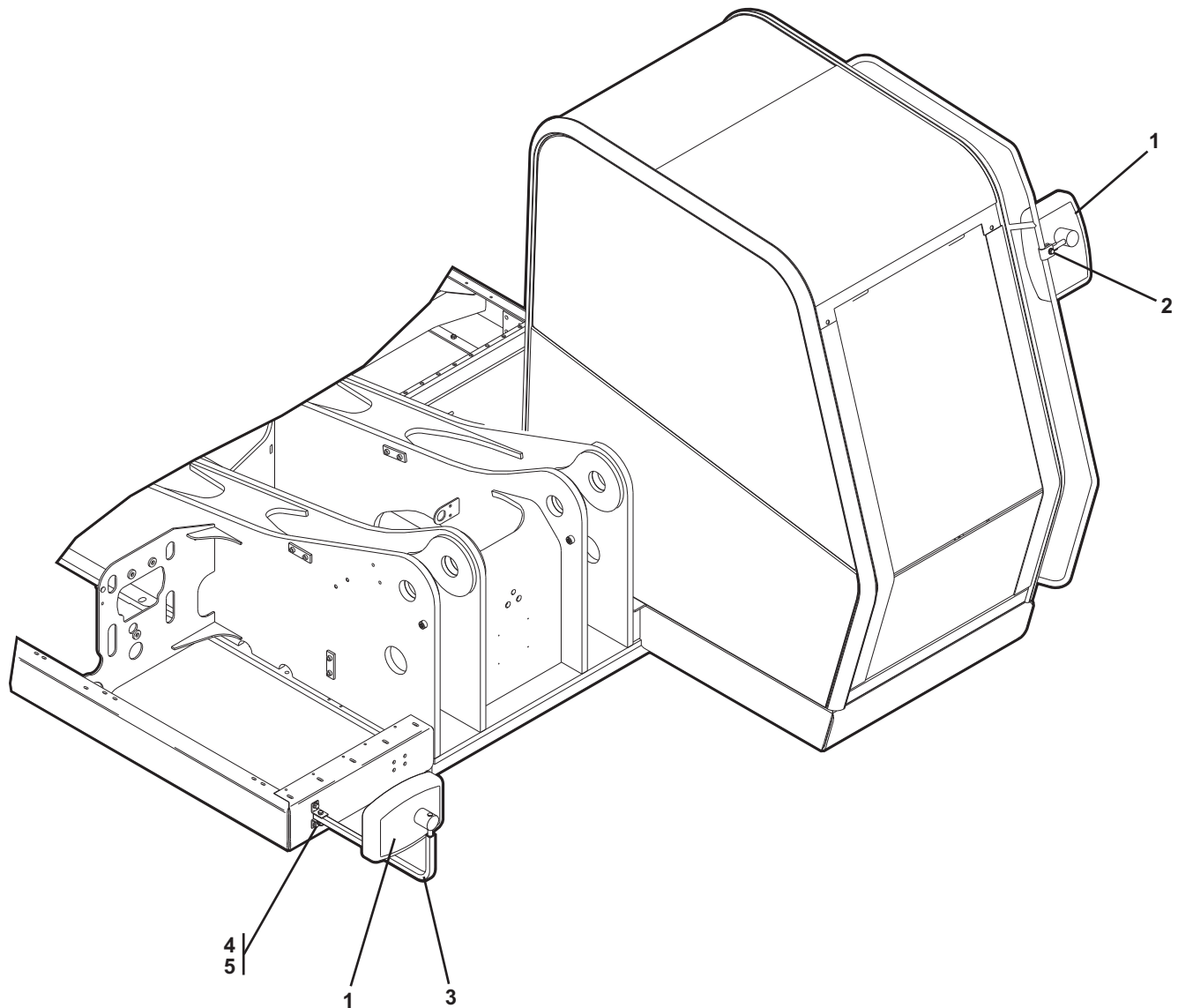
Skid Plate Installation

Item	Part Number	Qty.	Description	Rev.
1	80223034	8	WHIZ-LOK SCREW, 1/2-13X3/4	
2	80301160	1	REAR SKID PLATE COVER	
3	80791015	1	FRONT SKID PLATE COVER	
4	80796002	1	SKID PLATE WELDMENT	
5	80973025	10	WHIZ-LOK SCREW, 3/8-16X1	

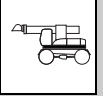


FRAME & ATTACHING PARTS

Upperstructure Mirror Installation (old-style)

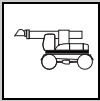


FRAME & ATTACHING PARTS



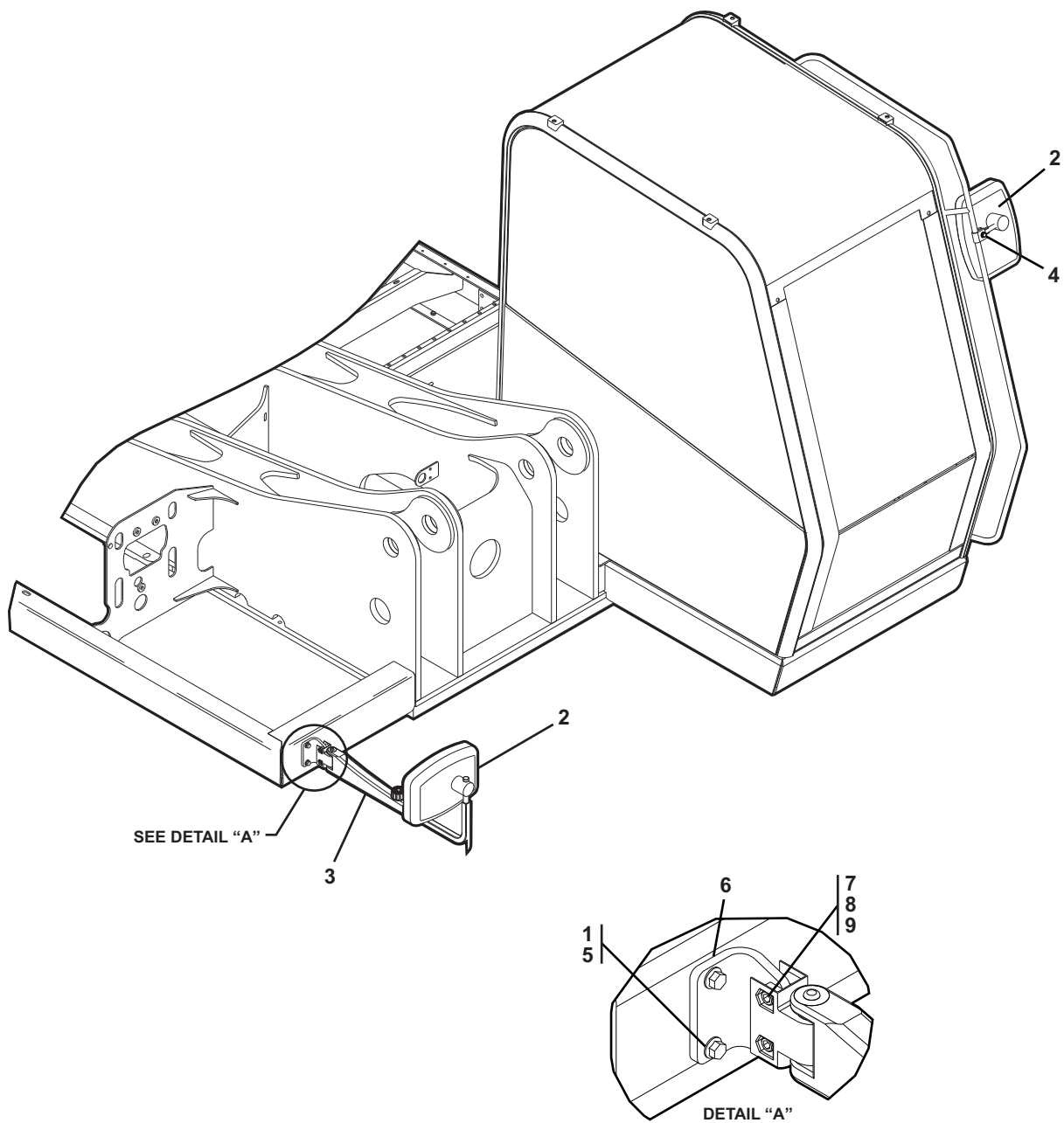
Upperstructure Mirror Installation (old-style)

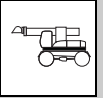
Item	Part Number	Qty.	Description	Rev.
1	80363195	2	SIDE VIEW MIRROR	
2	80363197	1	CAB MIRROR MOUNT	
3		1	MIRROR MOUNT, (no longer available; order 80364215 (located on page 1-10) for replacement)	
4	80973025	2	WHIZ-LOK SCREW, 3/8-16X1	
5	77143015	2	WHIZ-LOCK NUT, 3/8-16	



FRAME & ATTACHING PARTS

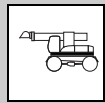
Upperstructure Mirror Installation (new-style)





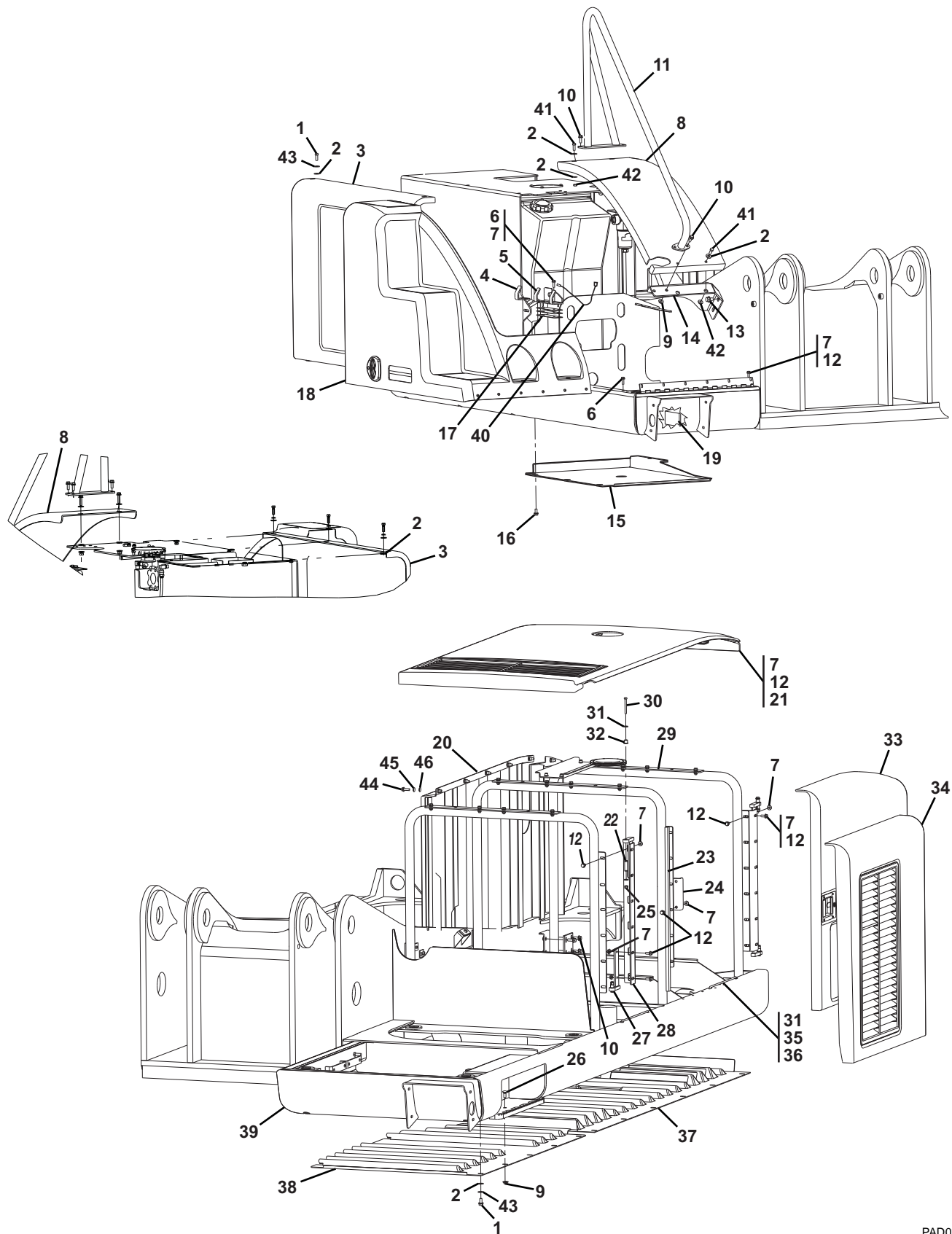
Upperstructure Mirror Installation (new-style)

Item	Part Number	Qty.	Description	Rev.
1	77143015	2	WHIZ-LOK NUT, 3/8-16	
2	80363195	2	SIDE VIEW MIRROR	
3	80763099	1	MIRROR MOUNT	
4	80363197	1	CAB MIRROR MOUNT	
5	80973096	2	WHIZ-LOK SCREW, 3/8-16X1-1/2	
6	80761038	1	UPPER MIRROR BRACKET	
7	88211072	2	SOCKET HD CAPSCREW, 3/8-16X1-1/4	
8	88501620	2	HEX NUT, 3/8-16	
9	88551107	2	LOCKWASHER, 3/8	
	80364215	A/R	MIRROR MOUNT KIT, (includes items 1, 3 & 5 thru 9)	



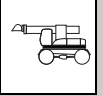
FRAME & ATTACHING PARTS

Upperstructure Covers Installation



PAD0273

FRAME & ATTACHING PARTS



Upperstructure Covers Installation

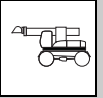
Item	Part Number	Qty.	Description	Rev.
1	88201036	13	HEX HD CAPSCREW, 3/8-16X1-1/4, GR5	
2	88561004	30	FLAT WASHER, 3/8	
3	1671321G	1	OIL COOLER COVER, (grey)	
	1671321	1	OIL COOLER COVER, (yellow)	
4	80541016	1	COVER GUIDE	
5	4341240	1	STRIKER PLATE, (Before S/N's XL3300III - 3300000710; XL3310III - 3310000002 XL4300III - 4300000063; XL4310III - 4310000005)	
	80771097	1	STRIKER PLATE, (After & including S/N's XL3300III - 3300000710; XL3310III - 3310000002 XL4300III - 4300000063; XL4310III - 4310000005 XL5300III - 5300000001; XL5310III - 5310000001)	
6	91363018	7	WHIZ-LOK SCREW, 5/16-18X1	
7	77143006	44	WHIZ-LOK NUT, 5/16-18	
8	1671267G	1	INSIDE VALVE COVER, (grey)	
	1671267	1	INSIDE VALVE COVER, (yellow)	
9	77143015	3	WHIZ-LOK NUT, 3/8-16	
10	80973025	30	WHIZ-LOK SCREW, 3/8-16X1	
11	3641644	1	HAND RAIL	
12	0791506	39	WHIZ-LOK SCREW, 5/16-18X3/4	
13	80223034	2	WHIZ-LOK SCREW, 1/2-13X3/4	
14	80471048	1	COVER SUPPORT BRACKET	
15	3380682	1	VALVE SIDE BELLYPAN	
16	80303094	5	WHIZ-LOK SCREW, 3/8-16X3/4	
17	80771022	3	LATCH BRACKET SHIM	
18		Ref	VALVE COVER, (see page 1-20 for details)	
19	80571003	1	STRUT BRACKET	
20	80773035	1	INSIDE ENGINE COVER	
21	1671294G	1	TOP COVER, (grey)	
	1671294	1	TOP COVER, (yellow)	
22	88631542	4	SPRING PIN, 1/2X1-3/4	
23	80383368	28"	GASKET	
24	3576535	1	STRIKER PLATE	
25	88521204	2	HEAVY HEX JAM NUT, 1/4-20	
26	88411062	1	ROUND HD CARRIAGE BOLT, 3/8-16X1	
27	2600301	4	HINGE COVER WELDMENT	
28	0182086	2	COVER SUPPORT ANGLE	
29	4341202	3	LEFT COVER SUPPORT	
30	88201011	2	HEX HD CAPSCREW, 1/4-20X2-1/2, GR5	
31	88561002	6	FLAT WASHER, 1/4	
32	4100114	4	NYLON SLEEVE	
33		Ref	LEFT REAR DOOR, (see page 1-26 for details)	
34		Ref	LEFT FRONT DOOR, (see page 1-24 for details)	
35	80771008	2	DOOR PROP	
36	88631303	2	COTTER PIN. 1/16X1	
37	80773029	1	ENGINE BELLYPAN	
38	1671310	1	CAB BELLYPAN	
39	80846003G	1	UPPERSTRUCTURE FRAME WELDMENT, (XL3300III), (grey)	
	80846003	1	UPPERSTRUCTURE FRAME WELDMENT, (XL3300III), (yellow)	



FRAME & ATTACHING PARTS

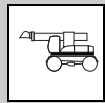
Upperstructure Covers Installation (Continued)

Item	Part Number	Qty.	Description	Rev.
	80746001G	1	UPPERSTRUCTURE FRAME WELDMENT, (XL4300III & XL5300III), (grey)	
	80746001	1	UPPERSTRUCTURE FRAME WELDMENT, (XL4300III & XL5300III), (yellow)	
	80846010G	1	UPPERSTRUCTURE FRAME WELDMENT, (XL3310III), (grey)	
	80846010	1	UPPERSTRUCTURE FRAME WELDMENT, (XL3310III), (yellow)	
	80746007G	1	UPPERSTRUCTURE FRAME WELDMENT, (XL4310III & XL5310III), (grey)	
	80746007	1	UPPERSTRUCTURE FRAME WELDMENT, (XL4310III & XL5310III), (yellow)	
40	77383144	1	HOOD STOP CABLE, (After & including S/N's XL3300III - 3300000710; XL3310III - 3310000000 XL4300III - 4300000063; XL4310III - 4310000005 XL5300III - 5300000001; XL5310III - 5310000001)	
41	80973096	4	WHIZ-LOK SCREW, 3/8-16X1-1/2	
42	88521306	4	HEX LOCKNUT, 3/8-16	
43	88551011	13	LOCKWASHER, 3/8	
44	88201020	7	HEX HD CAPSCREW, 5/16-18X1, GR5	
45	88551010	7	LOCKWASHER, 5/16	
46	88561003	7	FLAT WASHER, 5/16	



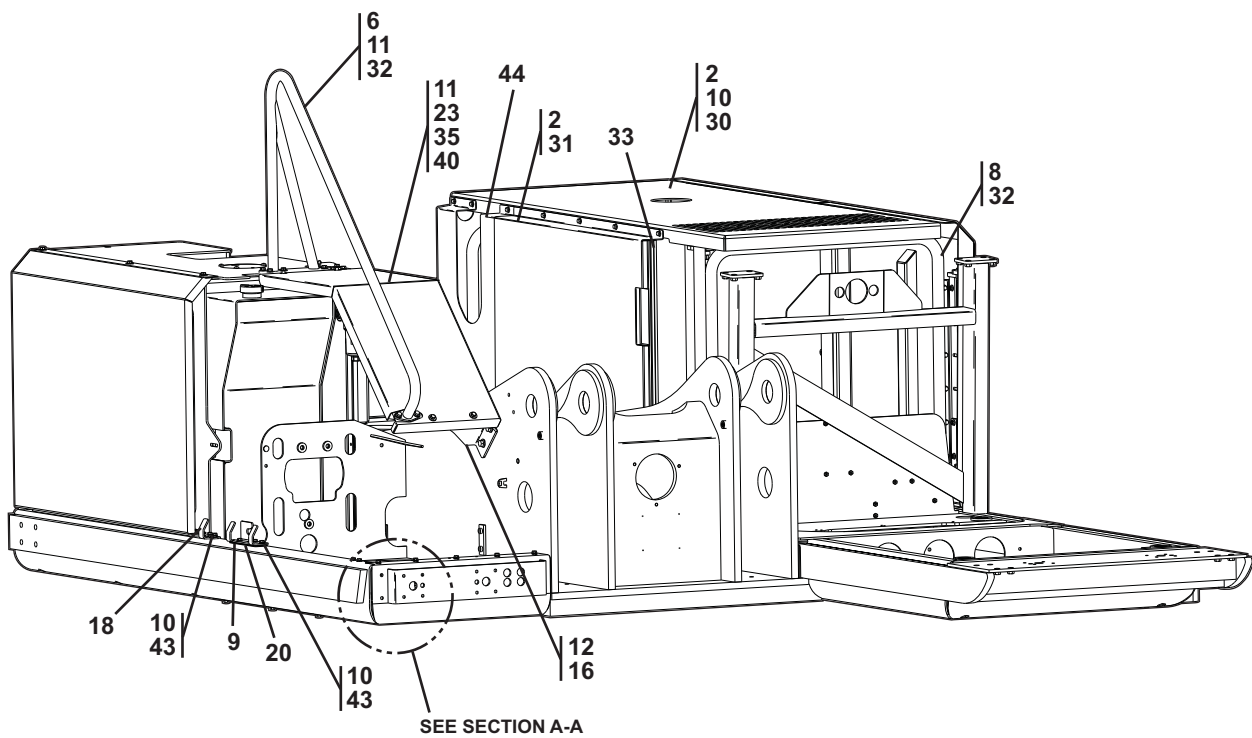
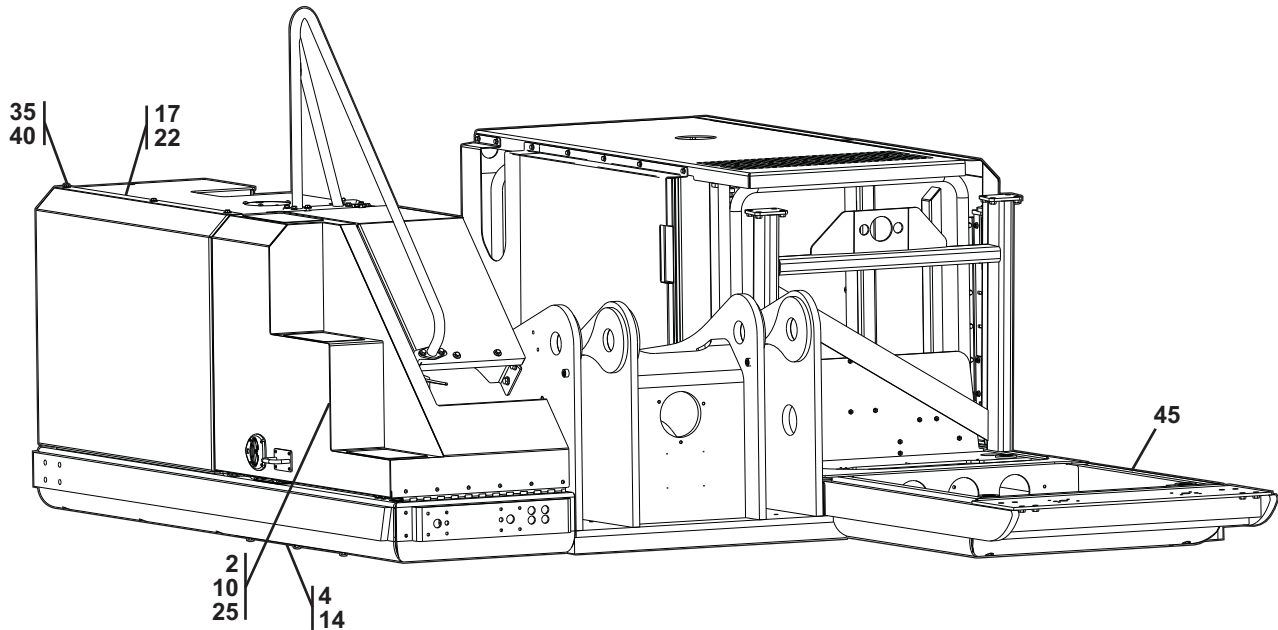
Upperstructure Covers Installation (Continued)

Item	Part Number	Qty.	Description	Rev.

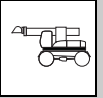


FRAME & ATTACHING PARTS

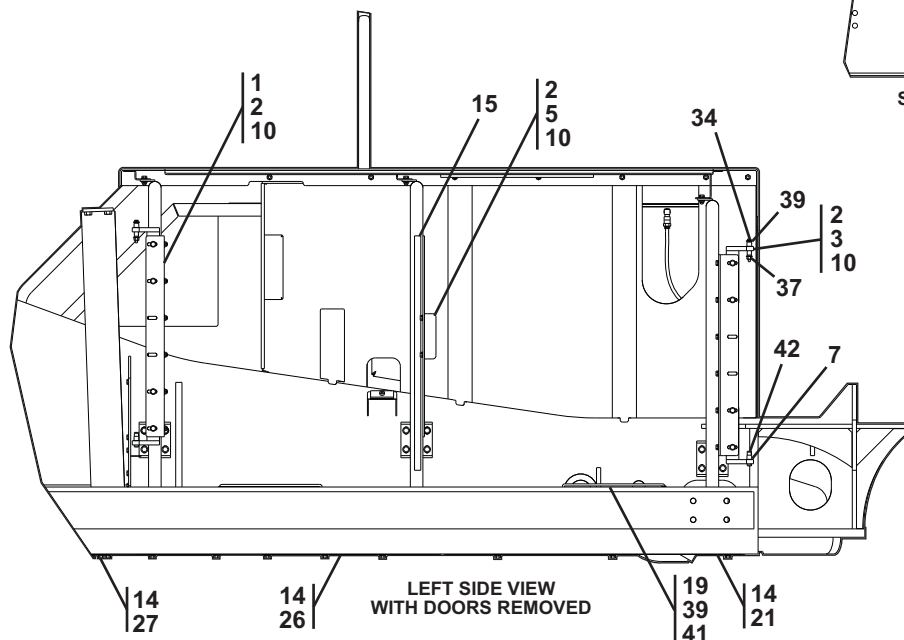
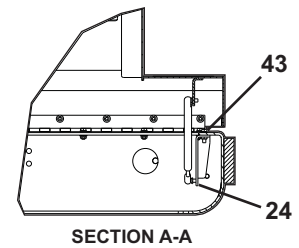
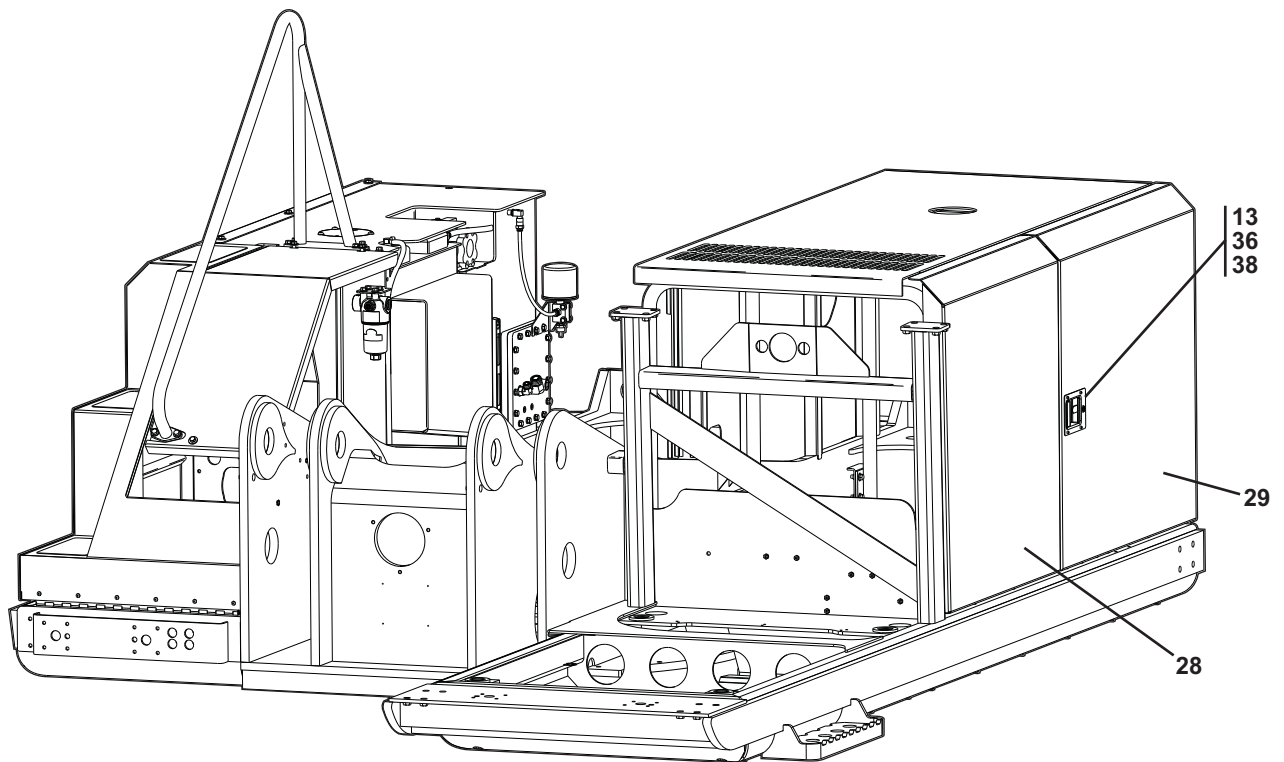
Covers Installation, XL3310III, XL3320III, XL4310III, XL4320III, XL5310III & XL5320III (optional steel covers)



FRAME & ATTACHING PARTS



Covers Installation, XL3310III, XL3320III, XL4310III, XL4320III, XL5310III & XL5320III (optional steel covers)



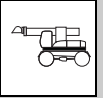


FRAME & ATTACHING PARTS

Covers Installation, XL3310III, XL3320III, XL4310III, XL4320III, XL5310III & XL5320III (optional steel covers)

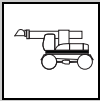
Item	Part Number	Qty.	Description	Rev.
1	0182086	2	COVER SUPPORT ANGLE	
2	0791506	46	WHIZ-LOK SCREW, 5/16-18X3/4	
3	2600301	4	HINGE COVER WELDMENT	
4	3380682	1	BELLYPAN VALVE COVER	
5	3576535	1	STRIKER PLATE	
6	3641644	1	HAND RAIL	
7	4100114	4	NYLON SLEEVE	
8	4341202	3	LEFT COVER SUPPORT	
9	4341240	1	STRIKER PLATE, (Before S/N's XL3310III - 3310000002 XL4310III - 4310000004)	
	80771097	1	STRIKER PLATE, (After & including S/N's XL3310III - 3310000002 XL3320III - 3320000001 XL4310III - 4310000004 XL4320III - 4320000001 XL5310III - 5310000001 XL5320III - 5320000001)	
10	77143006	44	WHIZ LOK NUT, 5/16-18	
11	77143015	6	WHIL LOK NUT, 3/8-16	
12	80223034	2	WHIZ-LOK SCREW, 1/2-13X3/4	
13	80273004	1	LATCH ASSY, (Before S/N's XL3310III - 3310000002, XL4310III - 4310000004, (uses key 91404275)	
	80514166	1	LATCH ASSY, (After & including S/N's XL3310III - 3310000002, XL3320III - 3320000001, XL4310III - 4310000004, XL4320III - 4320000001, XL5310III - 5310000001, XL5320III - 5320000001), (uses key 91144470)	
14	80303094	17	WHIZ LOK SCREW, 3/8-16X3/4	
15	80383368	1	FOAM GASKET	
16	80471048	1	COVER SUPPORT BRACKET	
17	83673124	3	GROMMET	
18	80541016	1	COVER GUIDE	
19	80771008	2	DOOR PROP	
20	80771022	3	LATCH BRACKET SHIM	
21	80771025	1	REAR BELLYPAN	
22	80771046G	1	RESERVOIR COVER, (grey)	
	80771046	1	RESERVOIR COVER, (yellow)	
23	80771054G	1	INSIDE VALVE COVER, (grey)	
	80771054	1	INSIDE VALVE COVER, (yellow)	
24	80771057	1	STRUT BRACKET	
25		Ref	VALVE COVER, (see page 1-22 for details)	
26	80776005	1	MIDDLE BELLY PAN WELDMENT	
27	80776006	1	CAB BELLY PAN WELDMENT	
28	80776007G	1	FRONT DOOR WELDMENT, (grey)	
	80776007	1	FRONT DOOR WELDMENT, (yellow)	
29	80776008G	1	REAR DOOR, (grey)	
	80776008	1	REAR DOOR, (yellow)	

FRAME & ATTACHING PARTS



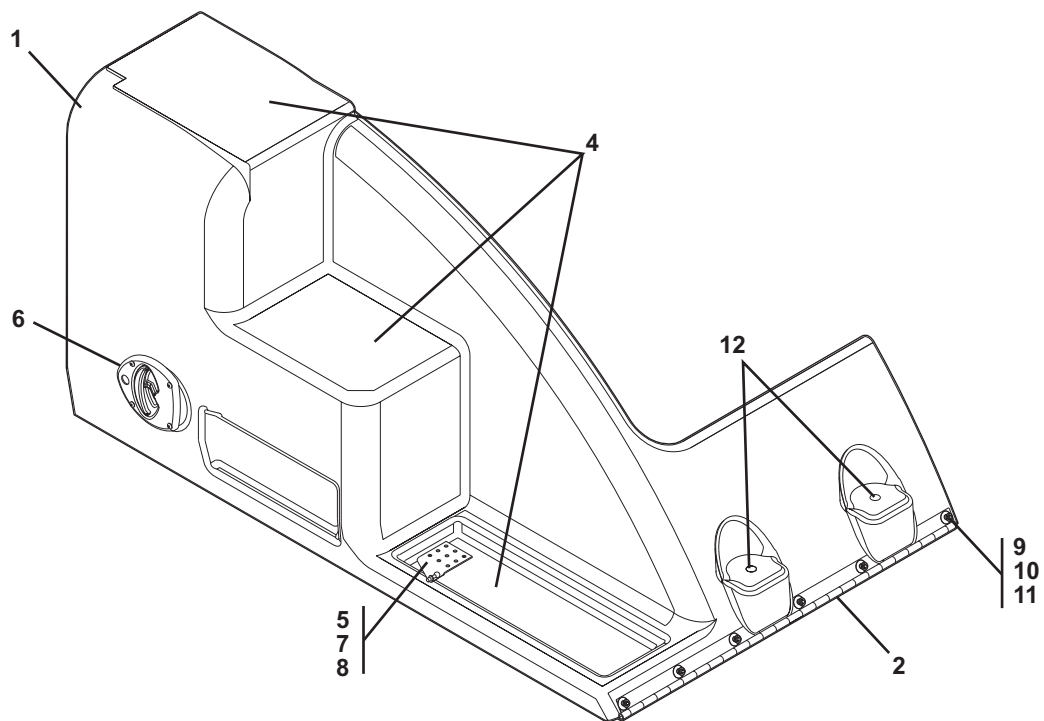
Covers Installation, XL3310III, XL3320III, XL4310III, XL4320III, XL5310III & XL5320III (optional steel covers)

Item	Part Number	Qty.	Description	Rev.
30	80776010G	1	TOP ENGINE COVER, (grey)	
	80776010	1	TOP ENGINE COVER, (yellow)	
31	80776011	1	INSIDE ENGINE COVER WELDMENT	
32	80973025	30	WHIZ LOK SCREW, 3/8-16X1	
33	83673124	75"	TRIM SEAL	
34	88201011	2	HEX HD CAPSCREW, 1/4-20X2-1/2, GR5	
35	88201035	7	HEX HD CAPSCREW, 3/8-16X1, GR5	
36	88212215	4	SOCKET HD CAPSCREW, #8-32X1/2	
37	88521204	2	HEX NUT, 1/4-20	
38	88521604	4	HEX NUT, #8-32	
39	88561002	6	FLAT WASHER, 1/4	
40	88561004	7	FLAT WASHER, 3/8	
41	88631303	2	COTTER PIN, 1/16X1	
42	88631542	4	SPRING PIN, 1/2X1-3/4	
43	91363018	7	WHIZ LOK SCREW, 5/16-18X1	
44	80776015	1	INSIDE ENGINE REAR COVER WELDMENT	
45	80846010G	1	UPPERSTRUCTURE FRAME WELDMENT, (XL3310III), (grey)	
	80846010	1	UPPERSTRUCTURE FRAME WELDMENT, (XL3310III & XL3320III), (yellow)	
	80746007G	1	UPPERSTRUCTURE FRAME WELDMENT, (XL4310III & XL5310III), (grey)	
	80746007	1	UPPERSTRUCTURE FRAME WELDMENT, (XL4310III, XL4320III, XL5310III & XL5320III), (yellow)	
	80746059	1	UPPERSTRUCTURE FRAME WELDMENT, (3-piece), (S/N 5320000002 only)	

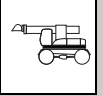


FRAME & ATTACHING PARTS

Valve Cover

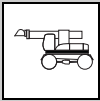


FRAME & ATTACHING PARTS



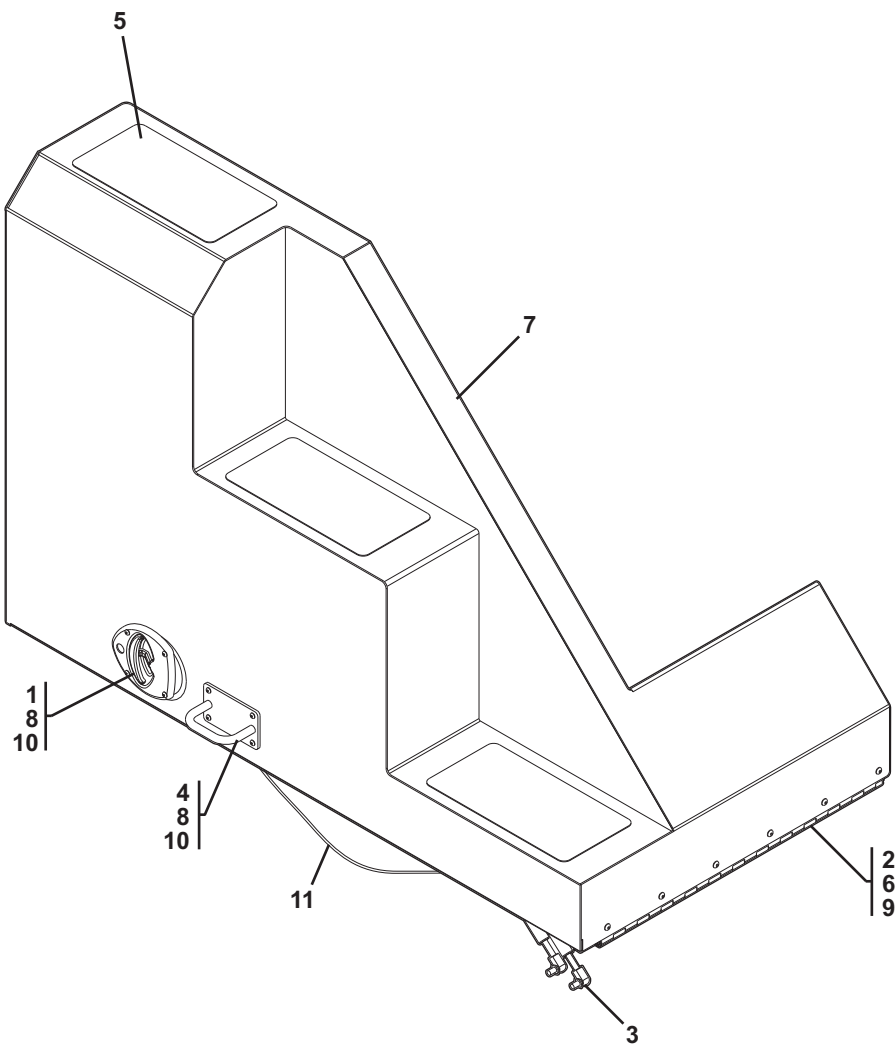
Valve Cover

Item	Part Number	Qty.	Description	Rev.
	1671264G	1	VALVE COVER, (includes all items), (grey)	C1
	1671264	1	VALVE COVER, (includes all items), (yellow)	C1
1		1	VALVE COVER SHELL, (not available for service)	
2	80773050	1	HINGE	
3	80363153	1	GAS PROP, 130#, (not illustrated)	
4	80514162	3	NON-SKID STAIR TREAD	
5	80374105	1	BALL STUD, 10MM	
6	7300364	1	LATCH ASSY	
	91144470	1	LATCH KEY	
7	80374095	1	GAS PROP BRACKET	
8	80484162	9	HEX SHEET METAL SCREW, #1X3/4	
9	88261018	6	SOCKET BUTTON HD CAPSCREW, 1/4-20X1	
10	88561107	12	FLAT WASHER, 1/4	
11	88521004	6	HEX LOCKNUT, 1/4-20	
12	80484161	2	PLASTIC PLUG, 1/2	

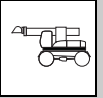


FRAME & ATTACHING PARTS

Valve Cover, XL3310III, XL3320III, XL4310III, XL4320III, XL5310III & XL5320III, (optional steel covers)

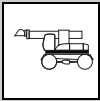


FRAME & ATTACHING PARTS



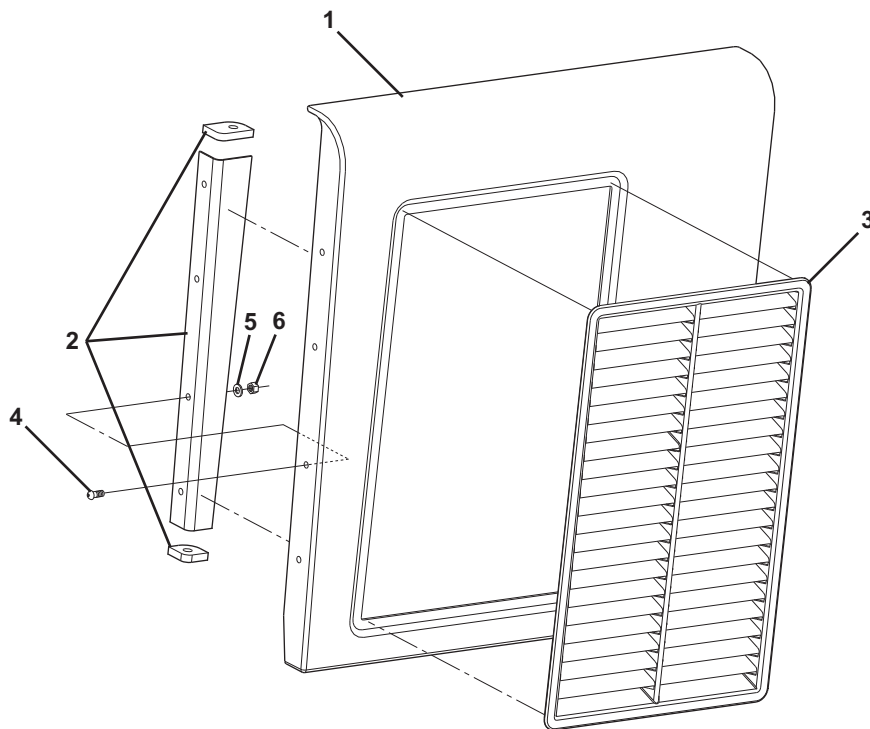
Valve Cover, XL3310III, XL3320III, XL4310III, XL4320III, XL5310III & XL5320III, (optional steel covers)

Item	Part Number	Qty.	Description	Rev.
	80775013	1	VALVE COVER, (includes all items)	B
1	7300364	1	LATCH ASSY	
	91144470	1	LATCH KEY	
2	77143013	6	WHIZ LOK NUT, 1/4-20	
3	80363153	2	GAS STRUT, 130#	
4	80466006	1	BRACKET HANDLE	
5	80514162	3	NON-SKID STAIR TREAD	
6	80773050	1	VALVE COVER HINGE	
7	80776012G	1	VALVE COVER, (grey)	
	80776012	1	VALVE COVER, (yellow)	
8	88261010	8	BUTTON HD SCREW, #10-24X3/4	
9	88261014	6	BUTTON HD SCREW, 1/4-20X1/2	
10	88521605	8	HEX NUT, #10-24	
11	77383144	1	HOOD STOP CABLE, (After & including S/N's XL3310III - 3310000002 XL3320III - 3320000001 XL4310III - 4310000004 XL4320III - 4320000001 XL5310III - 5310000001 XL5320III - 5320000001)	

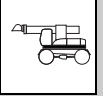


FRAME & ATTACHING PARTS

Left Front Door

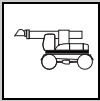


FRAME & ATTACHING PARTS



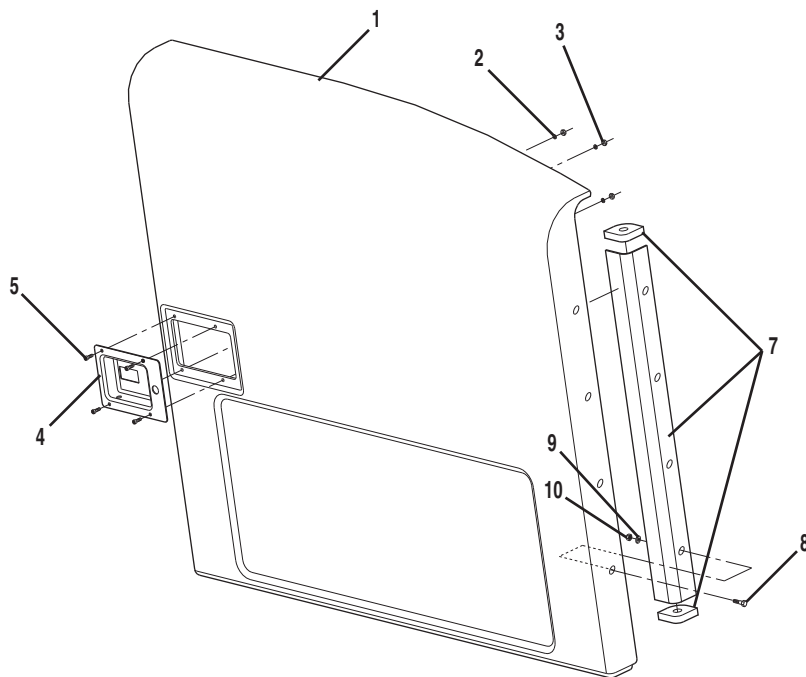
Left Front Door

Item	Part Number	Qty.	Description	Rev.
	1671296G	1	LEFT FRONT DOOR ASSY, (includes all items), (grey)	G
	1671296	1	LEFT FRONT DOOR ASSY, (includes all items), (yellow)	G
1	80514172	1	DOOR	
2	80514224	1	HINGE ASSY (tapered)	
3	80514174	1	LOUVER	
4	88261018	4	SOCKET BUTTON HD CAPSCREW, 1/4-20X1	
5	88561107	4	FLAT WASHER, 1/4	
6	88521004	4	HEX LOCKNUT, 1/4-20	
7	80514173	1	RUBBER STRIP, (not illustrated)	

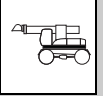


FRAME & ATTACHING PARTS

Left Rear Door

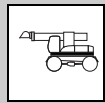


FRAME & ATTACHING PARTS



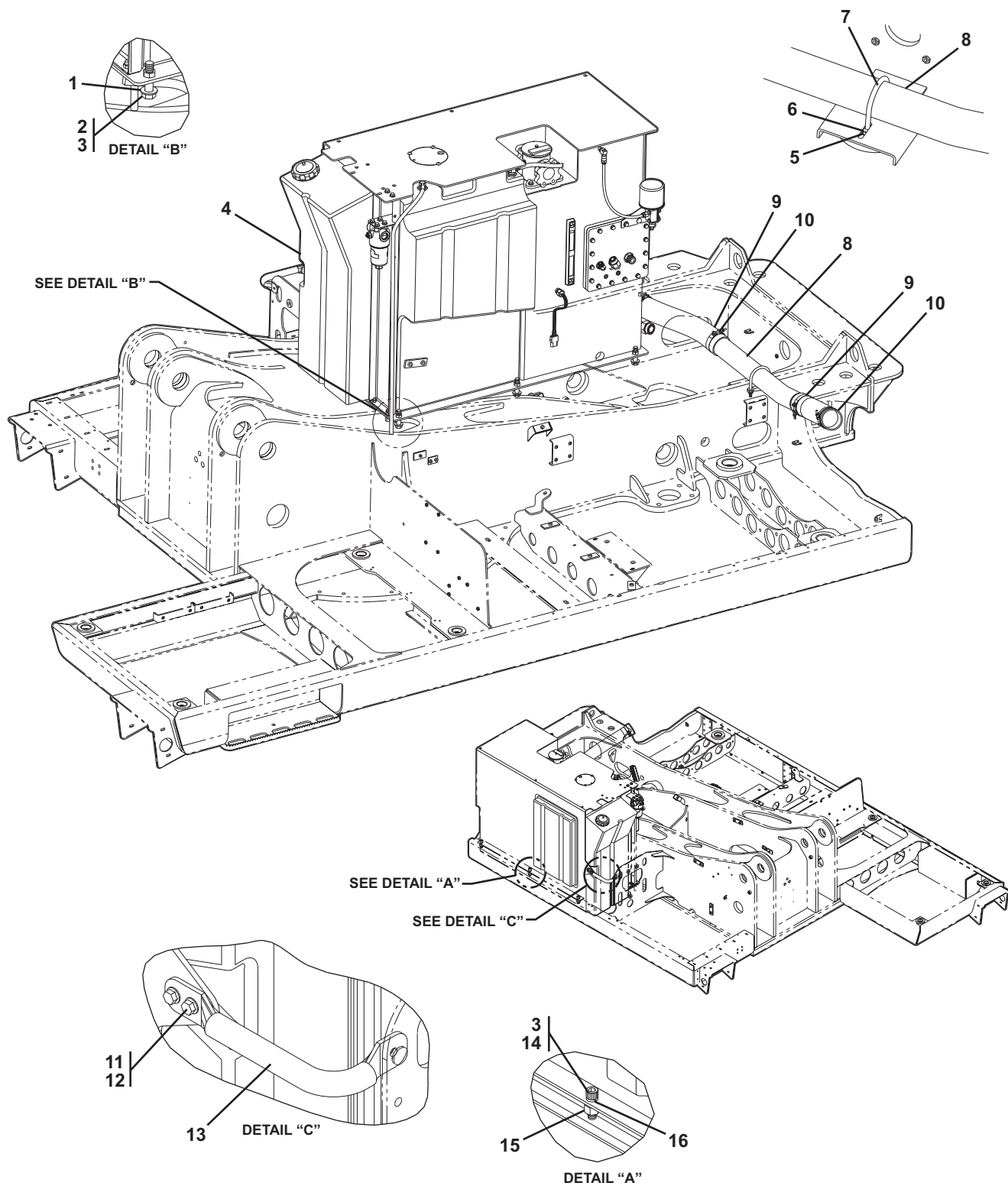
Left Rear Door

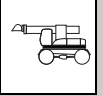
Item	Part Number	Qty.	Description	Rev.
	1671309G	1	LEFT REAR DOOR ASSY, (includes all items), (gray)	C
	1671309	1	LEFT REAR DOOR ASSY, (includes all items), (yellow)	C
1	80514163	1	DOOR	
2	88561105	4	FLAT WASHER, #8	
3	80484160	4	HEX LOCKNUT, #8-32	
4	88261005	4	SOCKET BUTTON HD CAPSCREW, #8-32X3/4	
5	80514166	1	LATCH ASSY	
	91144470	1	LATCH KEY	
6	<i>Not Used</i>			
7	80514164	1	HINGE	
8	88261018	4	SOCKET BUTTON HD CAPSCREW, 1/4-20X1	
9	88561107	4	FLAT WASHER, 1/4	
10	88521104	4	HEX LOCKNUT, 1/4-20	



FRAME & ATTACHING PARTS

Fuel Tank & Reservoir Installation



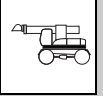


Fuel Tank & Reservoir Installation

Item	Part Number	Qty.	Description	Rev.
1	90027472	3	HARDENED WASHER	
2	88201099	3	HEX HD CAPSCREW, 3/8-16X4-1/2, GR5	
3	14403364	AR	LOCTITE, (242 blue)	
4		Ref	FUEL TANK & RESERVOIR ASSY, (see page 1-30 for details)	
5	88521206	2	HEX LOCKNUT, 3/8-16	
6	88561004	2	FLAT WASHER, 3/8	
7	86961096	1	U-BOLT	
8	80733008	1	SUCTION TUBE	
9	80433109	2	SUCTION HOSE	
10	91163129	4	HEAVY DUTY BAND CLAMP	
11	91363018	2	WHIZ-LOK SCREW, 5/16-18X1	
12	77143006	3	WHIZ-LOK NUT, 5/16-18	
13	80443015	1	GRAB HANDLE	
14	88212258	3	HEX SOCKET HD CAPSCREW, 5/8-11X2, GR8	
15	88521010	3	HEX LOCKNUT, 5/8-11	
16	88551153	3	LOCKWASHER, 5/8	

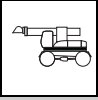
Before S/N's
 XL3300III - 3300000723
 XL4300III - 4300000073
 XL5300III - 5300000002

FRAME & ATTACHING PARTS



Fuel Tank & Reservoir Assembly, XL3300III, XL3320III, XL4300III, XL4320III & XL5300III

Item	Part Number	Qty.	Description	Rev.
1	2120220	1	PILOT FILTER, (includes element, sight glass, indicator & o-ring)	
	80533001	1	PILOT FILTER ELEMENT	
	80514206	1	SIGHT GLASS	
	80514207	1	INDICATOR	
	80534053	1	O-RING, (between filter bowl and head of housing)	
2	88681306	4	WHIZ-LOK SCREW, 3/8-16X1/2	
3	77143015	4	WHIZ-LOK NUT, 3/8-16	
4	80773004	1	FUEL TANK, (includes item 44)	
5	84717192	2	PUSH-LOK FITTING	
6		AR	FUEL HOSE, 3/8" I.D.	
7	83483497	2	CLAMP ASSY	
8	80773005	1	FUEL LEVEL SENDER, (see following page for available kit)	
9	80373051	1	VENT	
10	86883106	1	CLAMP ASSY	
11	80973025	4	WHIZ-LOK SCREW, 3/8-16X1	
12	88261029	3	SOCKET BUTTON HD CAPSCREW, 3/8-16X1	
13	80371012	1	COVER	
14	80773003	1	IN-TANK FILTER ASSY, (includes element & cover & seal assy)	
	80773038	1	IN-TANK FILTER ELEMENT	
	80774020	1	COVER & SEAL ASSY	
15	90027470	6	HARDENED WASHER, 3/8	
16	88201035	4	HEX HD CAPSCREW, 1/4-2-X1, GR5	
17	86983649	1	TUBE FITTING, 90 DEGREES	
18	80383147	1	PUSH-LOK FITTING, 1/4X3/8	
19		AR	HOSE, 3/8	
20	80373052	1	SITE GAUGE	
21	80471060	1	BREATHER BRACKET	
22	80933068	1	RESERVOIR BREATHER	
23	80473049	1	BREATHER MANIFOLD	
24	88201008	2	HEX HD CAPSCREW, 1/4-20X1-3/4, GR5	
25	77143013	2	WHIZ-LOK NUT, 1/4-20	
26	80383142	1	TUBE FITTING, STRAIGHT, 1/8	
27	88561002	2	FLAT WASHER, 1/4	
28	80973044	1	DRAIN VALVE	
29	80433047	1	ELBOW, 90 DEGREES	
30	88662304	1	CONNECTOR, (includes item 41)	
31	88662330	1	ELBOW, 90 DEGREES, (includes item 42)	
32	88711282	1	HEX SOCKET PIPE PLUG, 3/8	
33	88201036	16	HEX HD CAPSCREW, 3/8-16X1-1/4, GR5	
34	88551011	14	LOCKWASHER, 3/8	
35	80781226	1	COVER PLATE	
36	80933061	1	HYDRAULIC LEVEL PROBE SWITCH	
37	80776001	1	RESERVOIR WELDMENT	
38	88662180	1	HEX SOCKET PIPE PLUG, 1-1/4, (includes item 43), (torque to 150-170 lb-ft)	
39		AR	FUEL HOSE, 5/16	
40	80776003	1	CORNER SUPPORT	
41	88591204	1	O-RING	
42	88591205	1	O-RING	
43	88591210	1	O-RING	



FRAME & ATTACHING PARTS

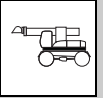
Before S/N's
XL3300III - 3300000723
XL4300III - 4300000073
XL5300III - 5300000002

Fuel Tank & Reservoir Assembly, XL3300III, XL3320III, XL4300III, XL4320III & XL5300III

Item	Part Number	Qty.	Description	Rev.
44	80374075	1	FUEL CAP	
45	88691345	1	ELBOW CONNECTOR	
46	80774021	1	PRESSURE GUAGE	
101	80471104	1	COVER PLATE	
102	88711282	2	HEX SOCKET PIPE PLUG, 3/8	
	80774019	1	SEAL KIT, (includes installation seals for item 14)	
	80774038	1	FUEL LEVEL SENDER HARDWARE KIT (includes gasket)	

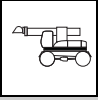
Before S/N's
XL3300III - 3300000723
XL4300III - 4300000073
XL5300III - 5300000002

FRAME & ATTACHING PARTS



Fuel Tank & Reservoir Assembly, XL3300III, XL3320III, XL4300III, XL4320III & XL5300III

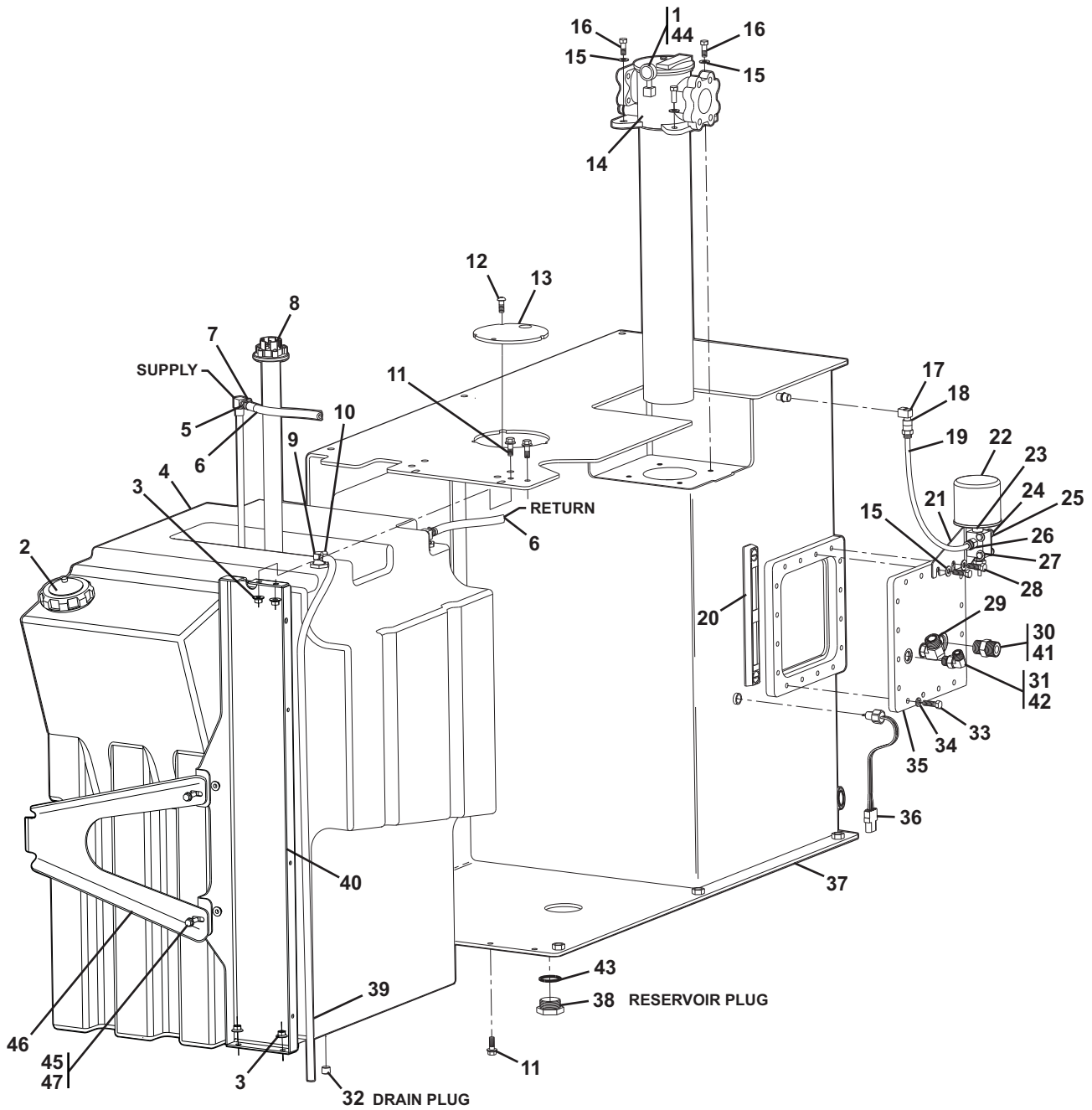
Item	Part Number	Qty.	Description	Rev.



FRAME & ATTACHING PARTS

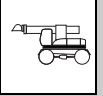
After (& including) S/N's
XL3300III - 3300000723; XL3320III - 3320000001 ONLY
XL4300III - 4300000073; XL4320III - 4320000002 ONLY
XL5300III - 5300000002

Fuel Tank & Reservoir Assembly, XL3300III, XL3320III, XL4300III, XL4320III & XL5300III



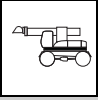
After (& including) S/N's
 XL3300III - 3300000723; XL3320III - 3320000001 ONLY
 XL4300III - 4300000073; XL4320III - 4320000002 ONLY
 XL5300III - 5300000002

FRAME & ATTACHING PARTS



Fuel Tank & Reservoir Assembly, XL3300III, XL3320III, XL4300III, XL4320III & XL5300III

Item	Part Number	Qty.	Description	Rev.
1	88691345	1	ELBOW CONNECTOR	
2	80374075	1	FUEL CAP	
3	77143015	4	WHIZ-LOK NUT, 3/8-16	
4	80773004	1	FUEL TANK, (includes item 2)	
5	84717192	2	PUSH-LOK FITTING	
6		AR	FUEL HOSE, 3/8" I.D.	
7	83483497	2	CLAMP ASSY	
8	80773005	1	FUEL LEVEL SENDER	
9	80373051	1	VENT	
10	86883106	1	CLAMP ASSY	
11	80973025	4	WHIZ-LOK SCREW, 3/8-16X1	
12	88261029	3	SOCKET BUTTON HD CAPSCREW, 3/8-16X1	
13	80371012	1	COVER	
14	80773003	1	IN-TANK FILTER ASSY, (includes element & cover & seal assy)	
	80773038	1	IN-TANK FILTER ELEMENT	
	80774020	1	COVER & SEAL ASSY	
15	90027470	6	HARDENED WASHER, 3/8	
16	88201035	4	HEX HD CAPSCREW, 1/4-2-X1, GR5	
17	86983649	1	TUBE FITTING, 90 DEGREES	
18	80383147	1	PUSH-LOK FITTING, 1/4X3/8	
19		AR	HOSE, 3/8	
20	80373052	1	SITE GAUGE	
21	80471060	1	BREATHER BRACKET	
22	80933068	1	RESERVOIR BREATHER	
23	80473049	1	BREATHER MANIFOLD	
24	88201008	2	HEX HD CAPSCREW, 1/4-20X1-3/4, GR5	
25	77143013	2	WHIZ-LOK NUT, 1/4-20	
26	80383142	1	TUBE FITTING, STRAIGHT, 1/8	
27	88561002	2	FLAT WASHER, 1/4	
28	80973044	1	DRAIN VALVE	
29	80433047	1	ELBOW, 90 DEGREES	
30	88662304	1	CONNECTOR, (includes item 41)	
31	88662330	1	ELBOW, 90 DEGREES, (includes item 42)	
32	88711282	1	HEX SOCKET PIPE PLUG, 3/8	
33	88201036	16	HEX HD CAPSCREW, 3/8-16X1-1/4, GR5	
34	88551011	14	LOCKWASHER, 3/8	
35	80781226	1	COVER PLATE	
36	80933061	1	HYDRAULIC LEVEL PROBE SWITCH	
37	80776001	1	RESERVOIR WELDMENT	
38	88662180	1	HEX SOCKET PIPE PLUG, 1-1/4, (includes item 43), (torque to 150-170 lb-ft)	
39		AR	FUEL HOSE, 5/16	
40	80771212	1	CORNER SUPPORT	
41	88591204	1	O-RING	
42	88591205	1	O-RING	
43	88591210	1	O-RING	
44	80774021	1	PRESSURE GAUGE	
45	77143006	2	WHIZ LOK NUT, 5/16-18	
46	80771211	1	FUEL TANK SUPPORT PLATE	
47	91363018	2	WHIZ-LOK SCREW, 5/16-18X1	



FRAME & ATTACHING PARTS

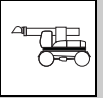
After (& including) S/N's
XL3300III - 3300000723; XL3320III - 3320000001 ONLY
XL4300III - 4300000073; XL4320III - 4320000002 ONLY
XL5300III - 5300000002

Fuel Tank & Reservoir Assembly, XL3300III, XL3320III, XL4300III, XL4320III & XL5300III

Item	Part Number	Qty.	Description	Rev.
	80774019	1	SEAL KIT, (includes installation seals for item 14)	
	80774038	1	FUEL LEVEL SENDER HARDWARE KIT (includes gasket)	

After (& including) S/N's
XL3300III - 3300000723; XL3320III - 3320000001 ONLY
XL4300III - 4300000073; XL4320III - 4320000002 ONLY
XL5300III - 5300000002

FRAME & ATTACHING PARTS

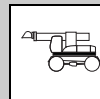


Fuel Tank & Reservoir Assembly, XL3300III, XL3320III, XL4300III, XL4320III & XL5300III

Item	Part Number	Qty.	Description	Rev.

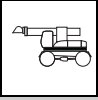
Before S/N's
 XL3310III - 3310000002
 XL4310III - 4310000008
 XL5310III - 5310000003

FRAME & ATTACHING PARTS



Fuel Tank & Reservoir Assembly, XL3310III, XL4310III, XL4320III, XL5310III & XL5320III

Item	Part Number	Qty.	Description	Rev.
1	2120220	1	PILOT FILTER, (includes element, sight glass, indicator & o-ring)	
	80533001	1	PILOT FILTER ELEMENT	
	80514206	1	SIGHT GLASS	
	80514207	1	INDICATOR	
	80534053	1	O-RING, (between filter bowl and head of housing)	
2	88681306	4	WHIZ-LOK SCREW, 3/8-16X1/2	
3	77143015	4	WHIZ-LOK NUT, 3/8-16	
4	80776013	1	FUEL TANK, (includes item 44)	
5	84717192	2	PUSH-LOK FITTING	
6		AR	FUEL HOSE, 3/8" I.D.	
7	83483497	2	CLAMP ASSY	
8	80773005	1	FUEL LEVEL SENDER, (see following page for available kit)	
9	80373051	1	VENT	
10	86883106	1	CLAMP ASSY	
11	80973025	4	WHIZ-LOK SCREW, 3/8-16X1	
12	88261029	3	SOCKET BUTTON HD CAPSCREW, 3/8-16X1	
13	80371012	1	COVER	
14	80773003	1	IN-TANK FILTER ASSY, (includes element & cover & seal assy)	
	80773038	1	IN-TANK FILTER ELEMENT	
	80774020	1	COVER & SEAL ASSY	
15	90027470	6	HARDENED WASHER, 3/8	
16	88201035	4	HEX HD CAPSCREW, 1/4-2-X1, GR5	
17	86983649	1	TUBE FITTING, 90 DEGREES	
18	80383147	1	PUSH-LOK FITTING, 1/4X3/8	
19		AR	HOSE, 3/8	
20	80373052	1	SITE GAUGE	
21	80471060	1	BREATHER BRACKET	
22	80933068	1	RESERVOIR BREATHER	
23	80473049	1	BREATHER MANIFOLD	
24	88201008	2	HEX HD CAPSCREW, 1/4-20X1-3/4, GR5	
25	77143013	2	WHIZ-LOK NUT, 1/4-20	
26	80383142	1	TUBE FITTING, STRAIGHT, 1/8	
27	88561002	2	FLAT WASHER, 1/4	
28	80973044	1	DRAIN VALVE	
29	80433047	1	ELBOW, 90 DEGREES	
30	88662304	1	CONNECTOR, (includes item 41)	
31	88662330	1	ELBOW, 90 DEGREES, (includes item 42)	
32	88711282	1	HEX SOCKET PIPE PLUG, 3/8	
33	88201036	16	HEX HD CAPSCREW, 3/8-16X1-1/4, GR5	
34	88551011	14	LOCKWASHER, 3/8	
35	80781226	1	COVER PLATE	
36	80933061	1	HYDRAULIC LEVEL PROBE SWITCH	
37	80776001	1	RESERVOIR WELDMENT	
38	88662180	1	HEX SOCKET PIPE PLUG, 1-1/4, (includes item 43), (torque to 150-170 lb-ft)	
39		AR	FUEL HOSE, 5/16	
40	80776003	1	CORNER SUPPORT	
41	88591204	1	O-RING	
42	88591205	1	O-RING	
43	88591210	1	O-RING	



FRAME & ATTACHING PARTS

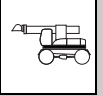
Before S/N's
XL3310III - 3310000002
XL4310III - 4310000008
XL5310III - 5310000003

Fuel Tank & Reservoir Assembly, XL3310III, XL4310III, XL4320III, XL5310III & XL5320III

Item	Part Number	Qty.	Description	Rev.
44	83074638	1	FUEL TANK CAP, (non-vented)	
45	80773051	2	FUEL TANK DROP TUBE	
46	88691345	1	ELBOW CONNECTOR	
47	80774021	1	PRESSURE GAUGE	
101	80471104	1	COVER PLATE	
102	88711282	2	HEX SOCKET PIPE PLUG, 3/8	
	80774019	1	SEAL KIT, (includes installation seals for item 14)	
	80774038	1	FUEL LEVEL SENDER HARDWARE KIT (includes gasket)	

Before S/N's
XL3310III - 3310000002
XL4310III - 4310000008
XL5310III - 5310000003

FRAME & ATTACHING PARTS



Fuel Tank & Reservoir Assembly, XL3310III, XL4310III, XL4320III, XL5310III & XL5320III

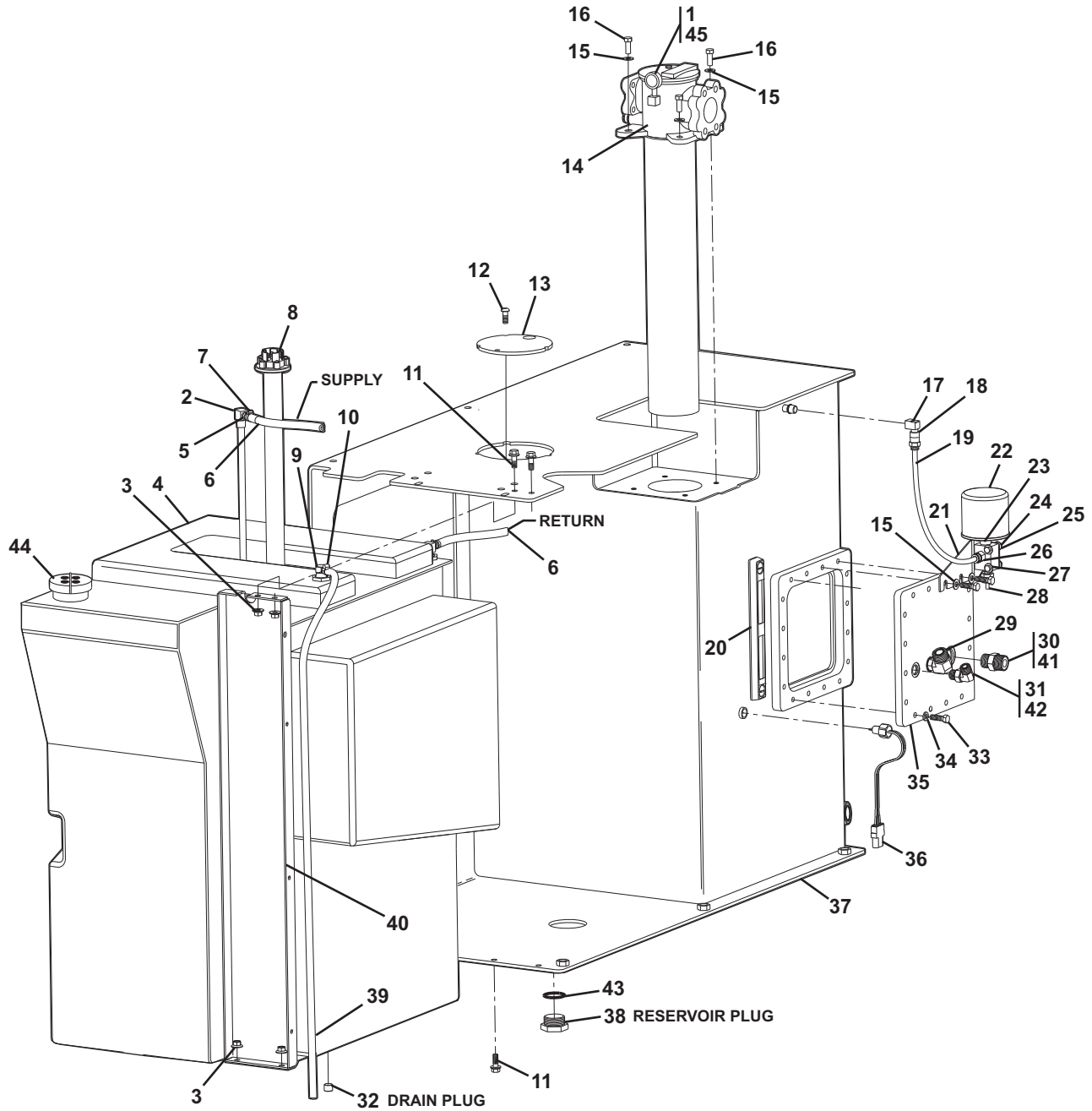
Item	Part Number	Qty.	Description	Rev.



FRAME & ATTACHING PARTS

After (& including) S/N's
XL3310III - 3310000002
XL4310III - 4310000008; XL4320III - 4320000001 ONLY
XL5310III - 5310000003; XL5320III - 5320000001

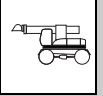
Fuel Tank & Reservoir Assembly, XL3310III, XL4310III, XL4320III, XL5310III & XL5320III



PAD9682

After (& including) S/N's
 XL3310III - 3310000002
 XL4310III - 4310000008; XL4320III - 4320000001 ONLY
 XL5310III - 5310000003; XL5320III - 5320000001

FRAME & ATTACHING PARTS



Fuel Tank & Reservoir Assembly, XL3310III, XL4310III, XL4320III, XL5310III & XL5320III

Item	Part Number	Qty.	Description	Rev.
1	88691345	1	ELBOW CONNECTOR	
2	80773051	2	FUEL TANK DROP TUBE	
3	77143015	4	WHIZ-LOK NUT, 3/8-16	
4	80776013	1	FUEL TANK, (includes item 44)	
5	84717192	2	PUSH-LOK FITTING	
6		AR	FUEL HOSE, 3/8" I.D.	
7	83483497	2	CLAMP ASSY	
8	80773005	1	FUEL LEVEL SENDER	
9	80373051	1	VENT	
10	86883106	1	CLAMP ASSY	
11	80973025	4	WHIZ-LOK SCREW, 3/8-16X1	
12	88261029	3	SOCKET BUTTON HD CAPSCREW, 3/8-16X1	
13	80371012	1	COVER	
14	80773003	1	IN-TANK FILTER ASSY, (includes element & cover & seal assy)	
	80773038	1	IN-TANK FILTER ELEMENT	
	80774020	1	COVER & SEAL ASSY	
15	90027470	6	HARDENED WASHER, 3/8	
16	88201035	4	HEX HD CAPSCREW, 1/4-2-X1, GR5	
17	86983649	1	TUBE FITTING, 90 DEGREES	
18	80383147	1	PUSH-LOK FITTING, 1/4X3/8	
19		AR	HOSE, 3/8	
20	80373052	1	SITE GAUGE	
21	80471060	1	BREATHER BRACKET	
22	80933068	1	RESERVOIR BREATHER	
23	80473049	1	BREATHER MANIFOLD	
24	88201008	2	HEX HD CAPSCREW, 1/4-20X1-3/4, GR5	
25	77143013	2	WHIZ-LOK NUT, 1/4-20	
26	80383142	1	TUBE FITTING, STRAIGHT, 1/8	
27	88561002	2	FLAT WASHER, 1/4	
28	80973044	1	DRAIN VALVE	
29	80433047	1	ELBOW, 90 DEGREES	
30	88662304	1	CONNECTOR, (includes item 41)	
31	88662330	1	ELBOW, 90 DEGREES, (includes item 42)	
32	88711282	1	HEX SOCKET PIPE PLUG, 3/8	
33	88201036	16	HEX HD CAPSCREW, 3/8-16X1-1/4, GR5	
34	88551011	14	LOCKWASHER, 3/8	
35	80781226	1	COVER PLATE	
36	80933061	1	HYDRAULIC LEVEL PROBE SWITCH	
37	80776001	1	RESERVOIR WELDMENT	
38	88662180	1	HEX SOCKET PIPE PLUG, 1-1/4, (includes item 43), (torque to 150-170 lb-ft)	
39		AR	FUEL HOSE, 5/16	
40	80771158	1	CORNER SUPPORT	
41	88591204	1	O-RING	
42	88591205	1	O-RING	
43	88591210	1	O-RING	
44	83074638	1	FUEL TANK CAP, (non-vented)	
45	80774021	1	PRESSURE GAUGE	
	80774019	1	SEAL KIT, (includes installation seals for item 14)	



FRAME & ATTACHING PARTS

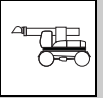
After (& including) S/N's
XL3310III - 3310000002
XL4310III - 4310000008; XL4320III - 4320000001 ONLY
XL5310III - 5310000003; XL5320III - 5320000001

Fuel Tank & Reservoir Assembly, XL3310III, XL4310III, XL4320III, XL5310III & XL5320III

Item	Part Number	Qty.	Description	Rev.
	80774038	1	FUEL LEVEL SENDER HARDWARE KIT (includes gasket)	

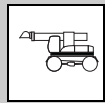
After (& including) S/N's
XL3310III - 3310000002
XL4310III - 4310000008; XL4320III - 4320000001 ONLY
XL5310III - 5310000003; XL5320III - 5320000001

FRAME & ATTACHING PARTS



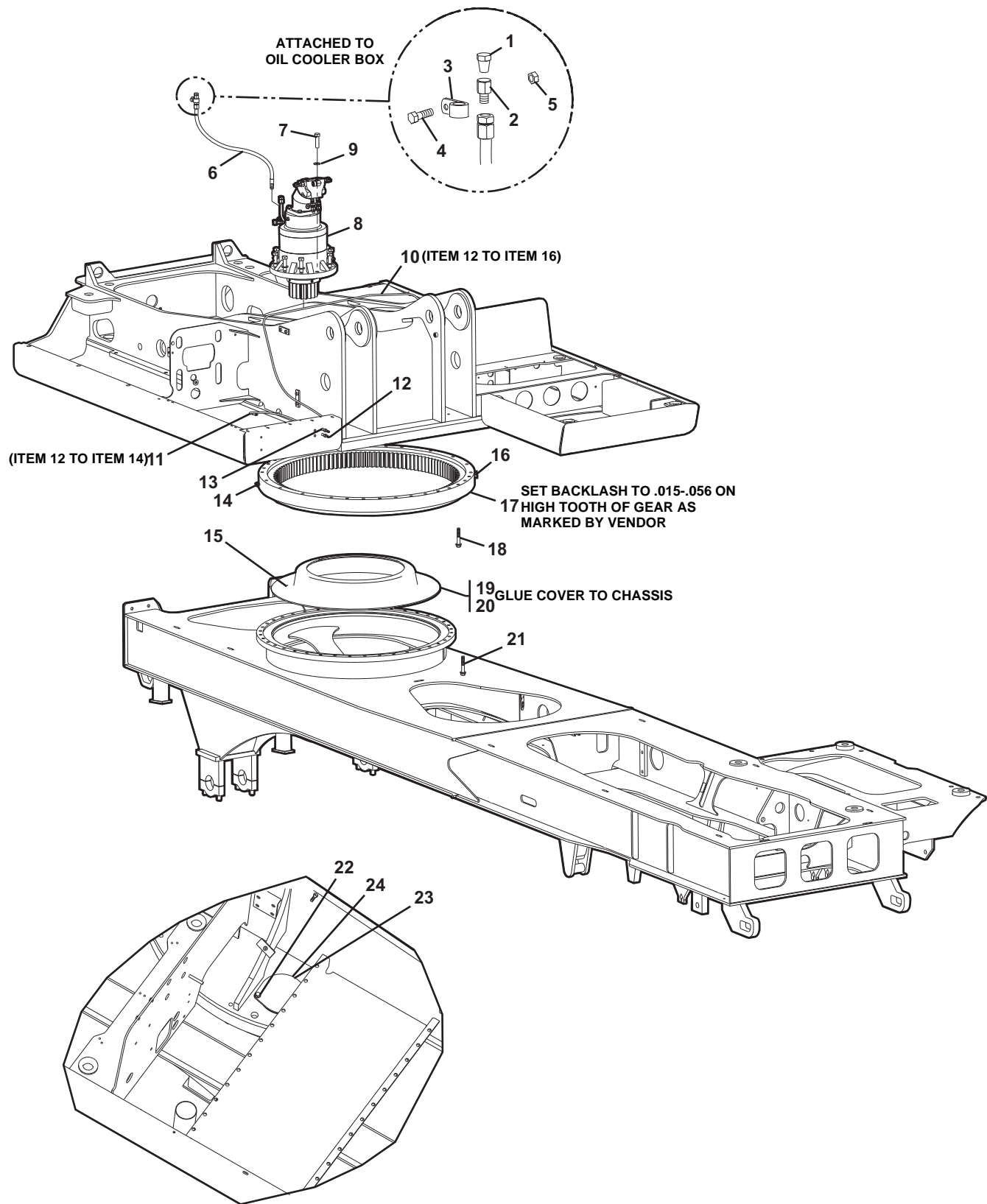
Fuel Tank & Reservoir Assembly, XL3310III, XL4310III, XL4320III, XL5310III & XL5320III

Item	Part Number	Qty.	Description	Rev.



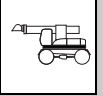
FRAME & ATTACHING PARTS

Swing Bearing Installation Components



PAC1851

FRAME & ATTACHING PARTS



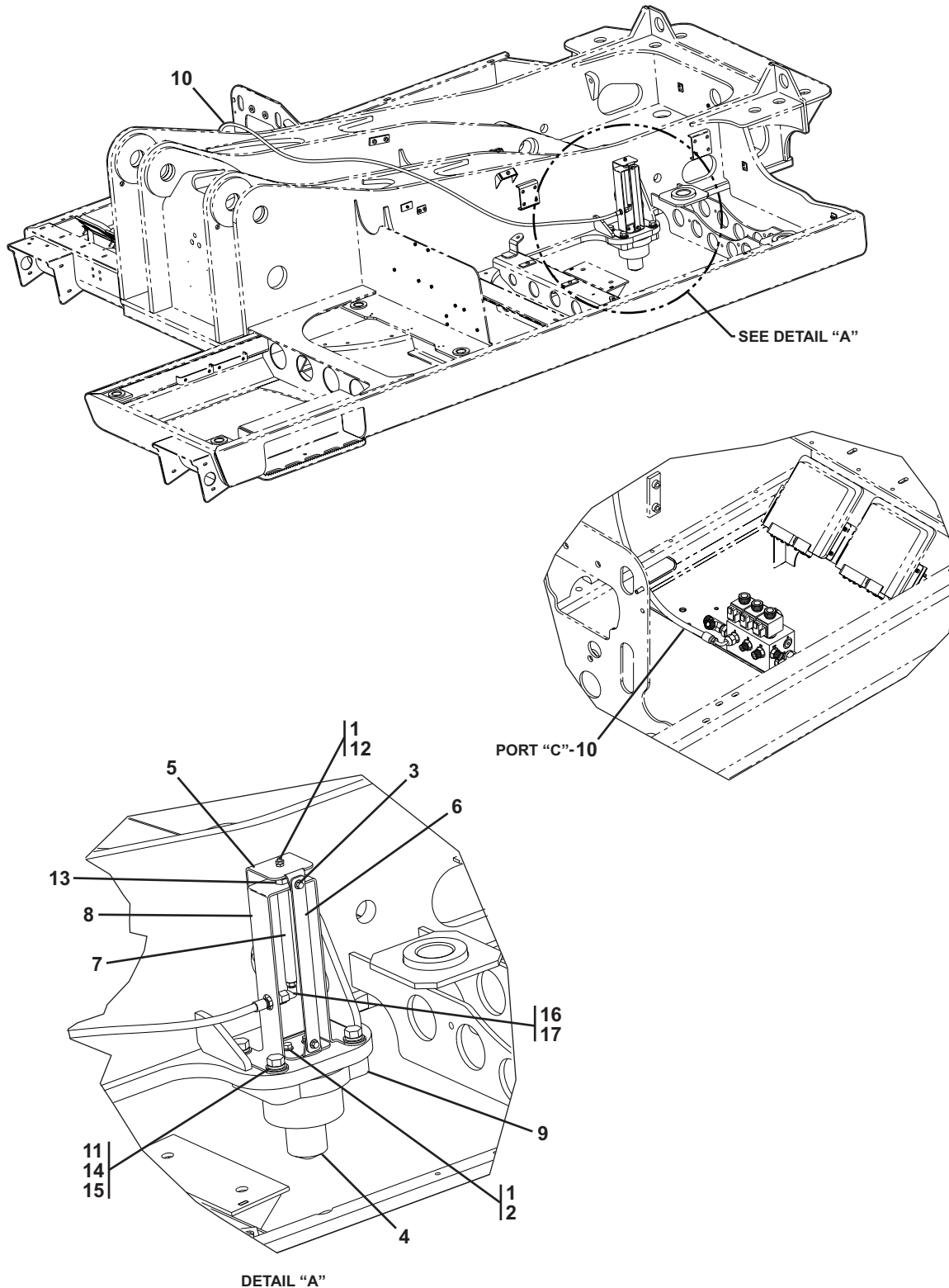
Swing Bearing Installation Components

Item	Part Number	Qty.	Description	Rev.
1	77343070	1	VENT	
2	80243019	1	ADAPTER	
3	91043147	1	SUPPORT CLAMP	
4	80303094	1	WHIZ-LOCK SCREW, 3/8-16X3/4	
5	77143015	1	WHIZ-LOCK NUT, 3/8-16	
6	84716547	1	HOSE ASSY	
7	83201017	10	HEX HD CAPSCREW, 3/4-10X3/4, GR5, (loctite & torque to 340-365 lb-ft)	
8		Ref	SWING TRANSMISSION ASSY, (see page 9-62 for details)	
9	90027473	10	HARDENED WASHER	
10	2754860	1	GREASE HOSE	
11	84719896	1	HOSE ASSY	
12	80623016	2	BULKHEAD ADAPTER	
13	88671001	2	LUBE FITTING, STRAIGHT, 1/8	
14	88743021	1	MALE ELBOW, 45 DEGREES, 1/8X1/4 TUBE	
15	85041302	18	GREASE CARTRIDGE, #2, (14.5 oz.)	
16	88743041	1	MALE ELBOW, 90 DEGREES, 1/8X1/4 TUBE	
17	80443001	1	SWING BEARING	
18	80323011	32	FLAT HD CAPSCREW, 5/8-11X3-3/4, (loctite & torque to 200-215 lb-ft)	
19	80413010	1	BEARING COVER	
20	14404579	AR	BETASEAL PRIMERLESS ADHESIVE	
21	80433131	40	FLAT HD CAPSCREW, 5/8-11X2-1/2, (loctite & torque to 200-215 lb-ft)	
22	80973025	2	WHIZ-LOK SCREW, 3/8-16X1	
23	80471053	1	COVER	
24	80473060	1	GASKET	

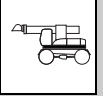


FRAME & ATTACHING PARTS

Swing Lock Installation

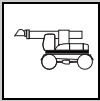


FRAME & ATTACHING PARTS



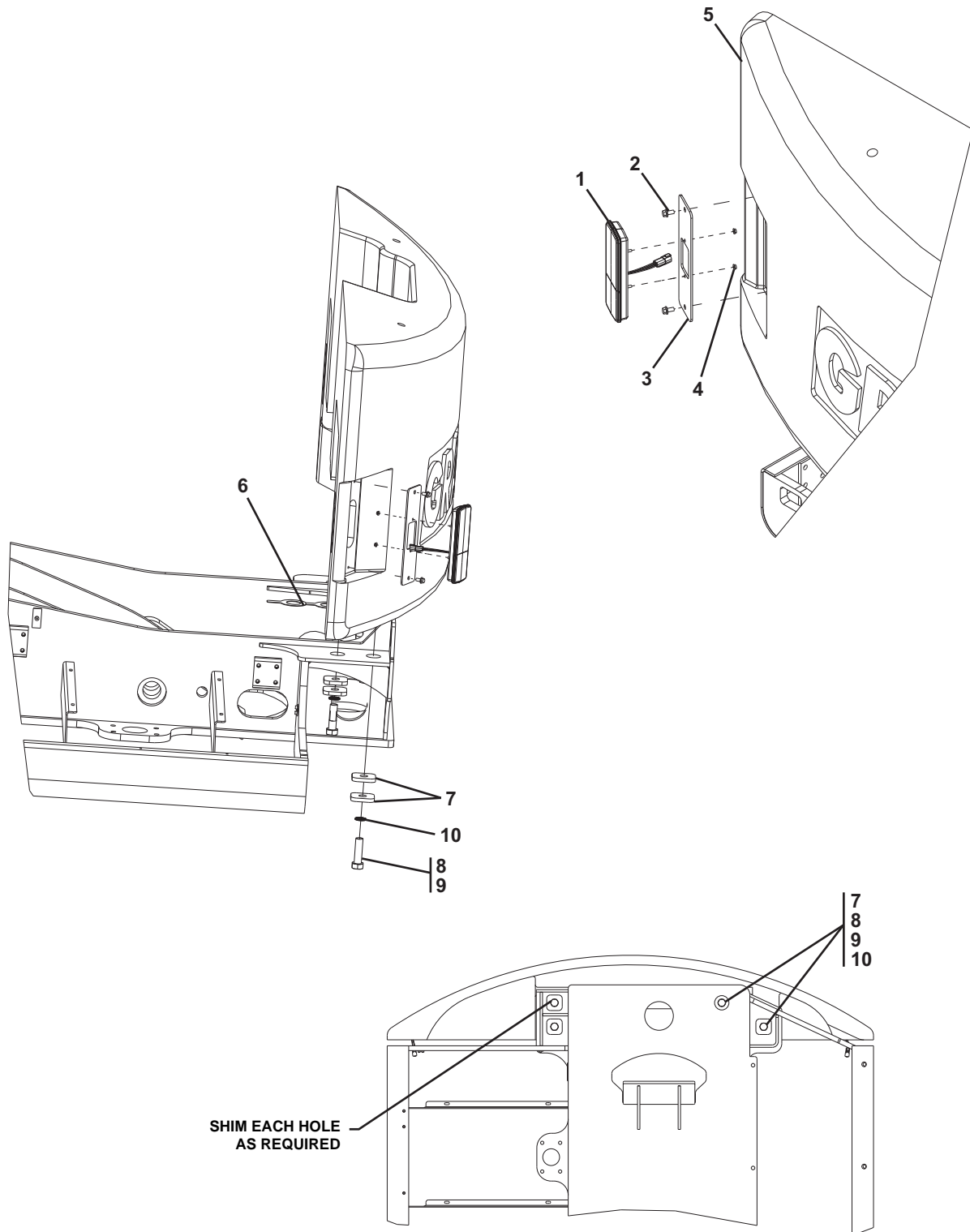
Swing Lock Installation

Item	Part Number	Qty.	Description	Rev.
1	14403364	A/R	LOCTITE, #242 (blue)	
2	77143003	2	WHIZ-LOK SCREW, 5/16-18X5/8	
3	80263012	2	WHIZ-LOK SCREW, 1/4-20X1/2	
4	80371128	1	LOCK PIN	
5	80371131	1	LOCK PIN MOUNTING BRACKET	
6	80371132	1	BRACE	
7	80373101	1	LOCK PIN CYLINDER, (includes following 3 items)	B
	80374077	1	PISTON SEAL	
	80374078	1	ROD SEAL	
	80374079	1	PISTON ROD ASSY	
8	80441058	1	CYLINDER MOUNT BRACKET	
9	80446009	1	LOCK PIN BRACKET	
10	84721199	1	HOSE ASSY	
11	88201099	4	HEX HD CAPSCREW, 5/8-11X2-1/2, GR5	
12	88501404	3	HEX JAM NUT, 1/4-28	
13	88501408	1	HEX JAM NUT, 1/2-20	
14	88551015	4	LOCKWASHER, 5/8	
15	88561113	4	FLAT WASHER, 5/8	
16	88662328	1	ELBOW, 90 DEGREES, (includes item 17)	
17	88591202	1	O-RING	

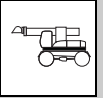


FRAME & ATTACHING PARTS

Counterweight & Swing Light Installation, XL3300III, XL3310III & XL3320III



FRAME & ATTACHING PARTS



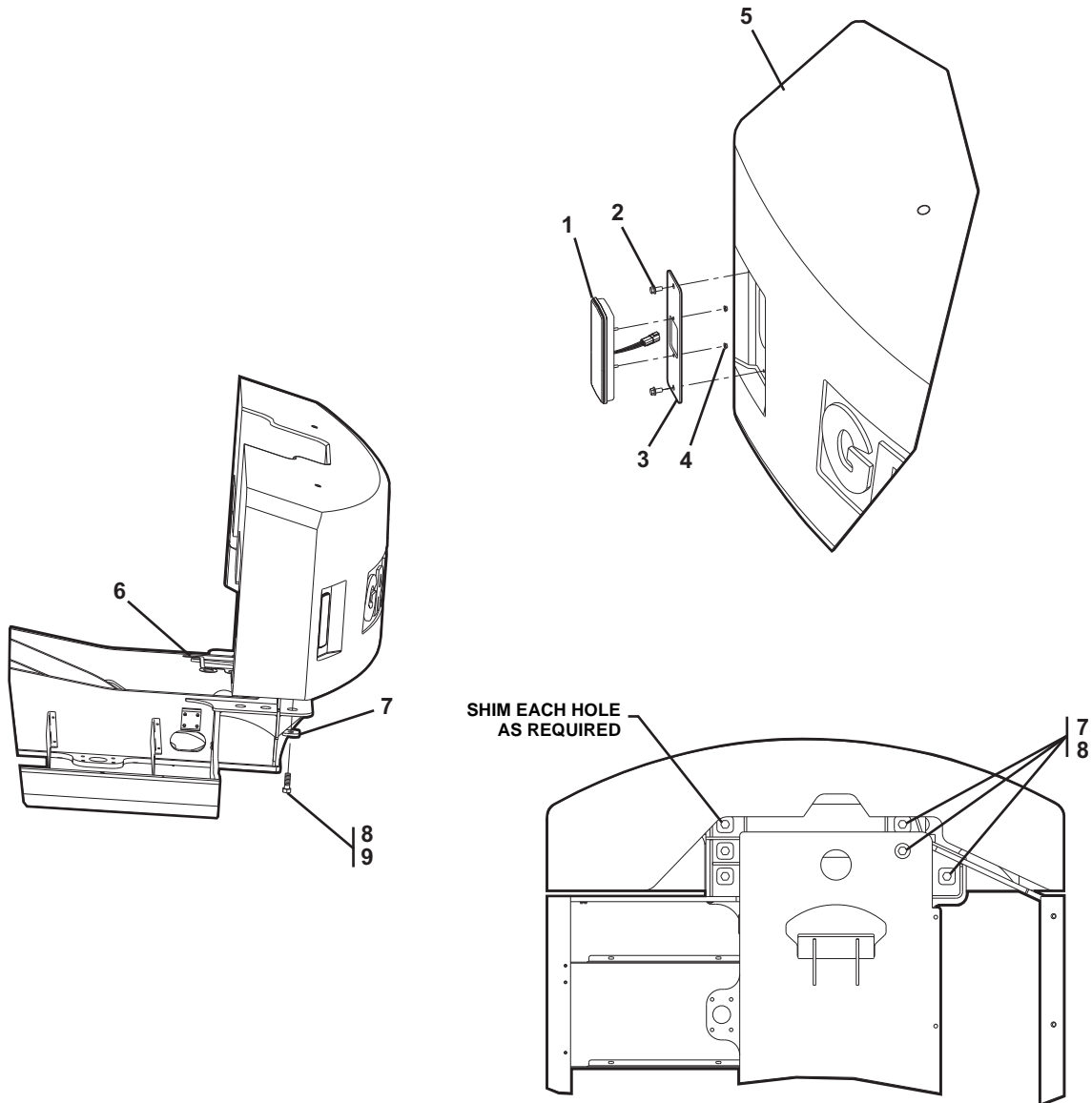
Counterweight & Swing Light Installation, XL3300III, XL3310III & XL3320III

Item	Part Number	Qty.	Description	Rev.
1	2920194	2	SWING LIGHT ASSY	
2	80303094	4	WHIZ-LOCK SCREW, 3/8-16X3/4	
3	4341111	2	SWING LIGHT MOUNT PLATE	
4	5220600	4	NUT, #10	
5	4821468G	1	COUNTERWEIGHT, 6000#, (grey)	
	4821468	1	COUNTERWEIGHT, 6000#, (yellow)	
6	80341133	A/R	COUNTERWEIGHT SHIM	
7	<i>Order Kit</i>	8	SPECIAL WASHER, (square)	
8	<i>Order Kit</i>	4	HEX HD CAPSCREW, 1-8X3-1/2, GR5, (loctite & torque to 625-675 lb-ft)	
9	14404102	A/R	LOCTITE, (#277 red)	
10	<i>Order Kit</i>	4	LOCKWASHER, 1", (wedge-style)	
	80804015	1	COUNTERWEIGHT MOUNTING KIT, (includes items 6 (qty. 8), 7, 8 & 10)	

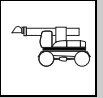


FRAME & ATTACHING PARTS

Counterweight & Swing Light Installation, XL4300III, XL4310III, XL4320III, XL5300III, XL5310III & XL5320III

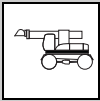


FRAME & ATTACHING PARTS



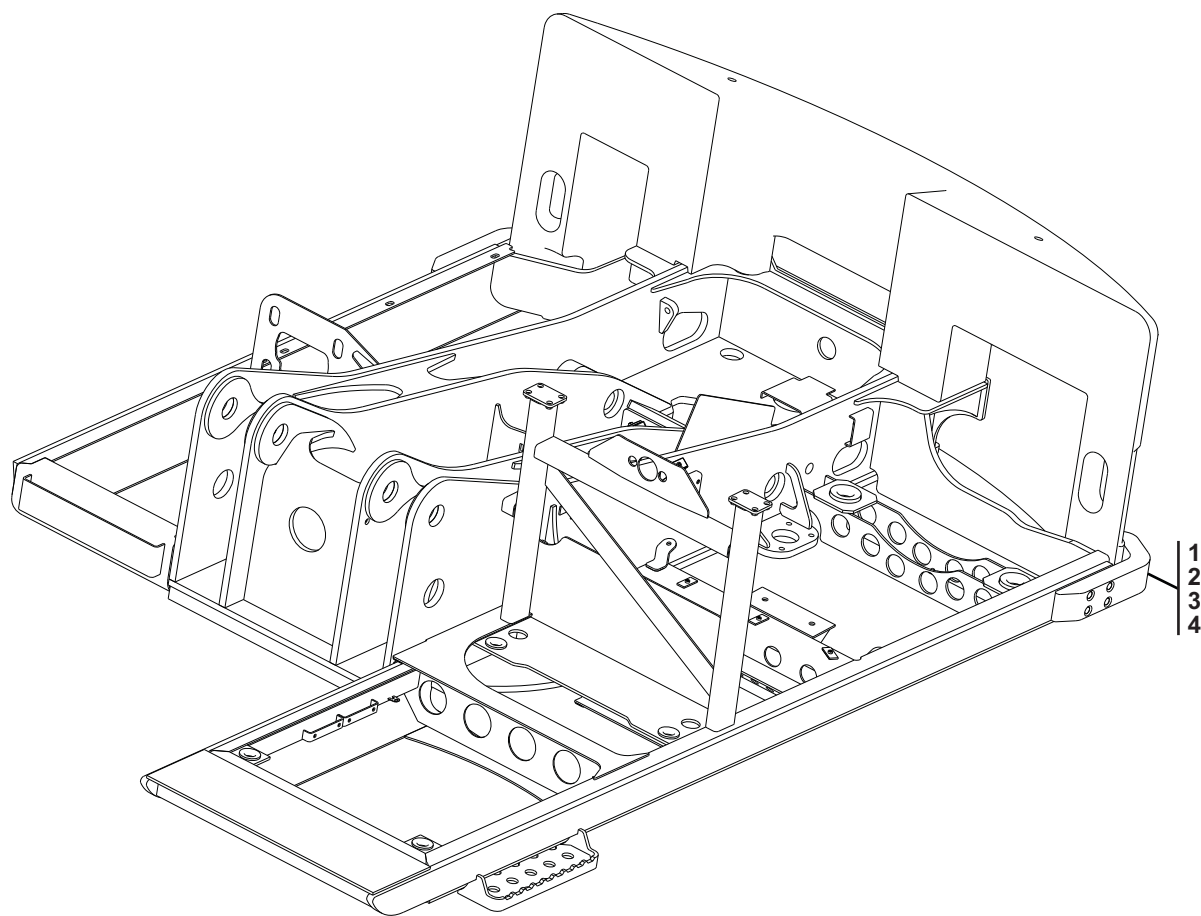
Counterweight & Swing Light Installation, XL4300III, XL4310III, XL4320III, XL5300III, XL5310III & XL5320III

Item	Part Number	Qty.	Description	Rev.
1	2920194	2	SWING LIGHT ASSY	
2	80303094	4	WHIZ-LOCK SCREW, 3/8-16X3/4	
3	4341111	2	SWING LIGHT MOUNT PLATE	
4	5220600	4	NUT, #10	
5	4821467G	1	COUNTERWEIGHT, 8850# XL4300III & XL4310III, (grey)	
	4821467	1	COUNTERWEIGHT, 8850# XL4300III, XL4310III, XL4320III & XL5320III, (yellow)	
	4821466G	1	COUNTERWEIGHT, 15500#, XL5300III & XL5310III, (grey)	
	4821466	1	COUNTERWEIGHT, 15500#, XL5300III & XL5310III, (yellow)	
6	80341133	AR	COUNTERWEIGHT SHIM	
7	4740569	6	SPECIAL WASHER, (square)	
8	88201137	6	HEX HD CAPSCREW, 1-8X3, GR5, (loctite & torque to 545-595 lb-ft)	
9	14404102	A/R	LOCTITE, (#277 red)	



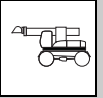
FRAME & ATTACHING PARTS

Counterweight Bumpers Installation, XL3310III, XL3320III, XL4310III, XL4320III, XL5310III & XL5320III



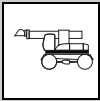
PAE1200

FRAME & ATTACHING PARTS



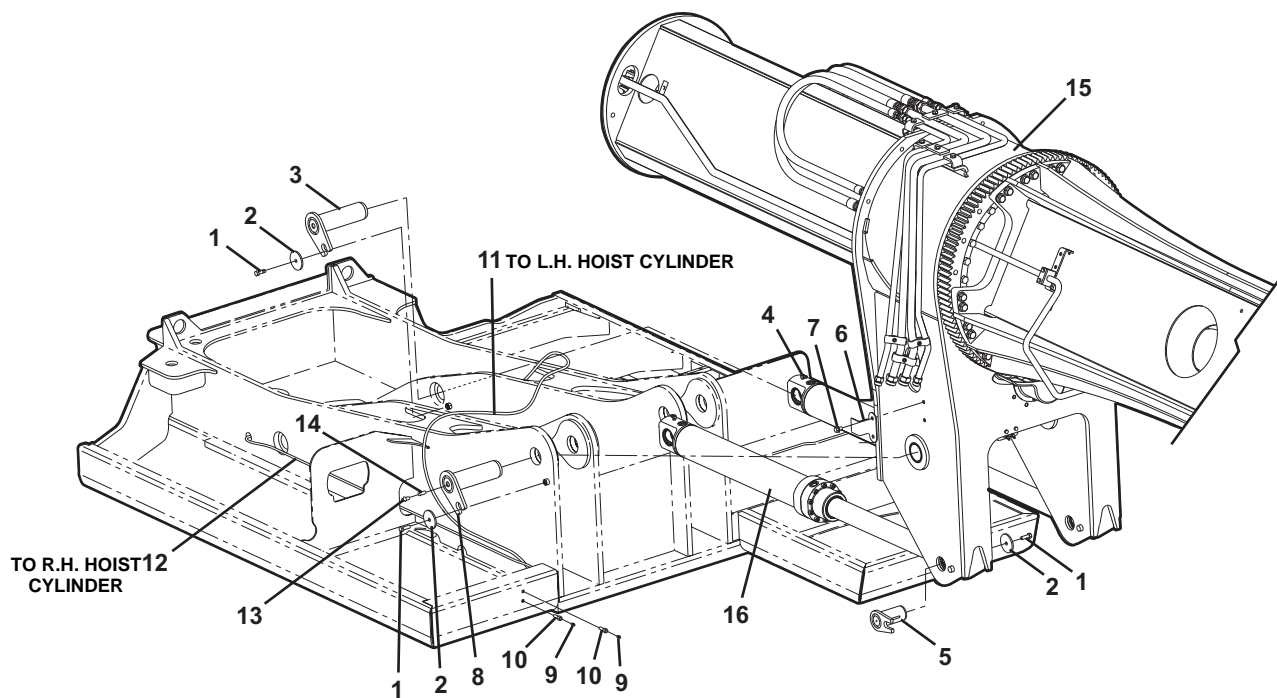
Counterweight Bumpers Installation, XL3310III, XL3320III, XL4310III, XL4320III, XL5310III & XL5320III

Item	Part Number	Qty.	Description	Rev.
1	80841025	2	COUNTERWEIGHT CORNER BUMPER, XL3310III & XL3320III	
	80741071	2	COUNTERWEIGHT CORNER BUMPER, XL4310III, XL4320III & XL5320III	
	80541017	2	COUNTERWEIGHT CORNER BUMPER, XL5310III	
2	83201044	8	HEX HD CAPSCREW, 5/8-11X4, GR8, (torque to 200-215 lb-ft)	
3	88551015	8	LOCKWASHER, 5/8	
4	90027472	8	HARDENED WASHER, 5/8	

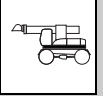


FRAME & ATTACHING PARTS

Boom Installation Components

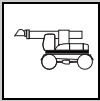


FRAME & ATTACHING PARTS



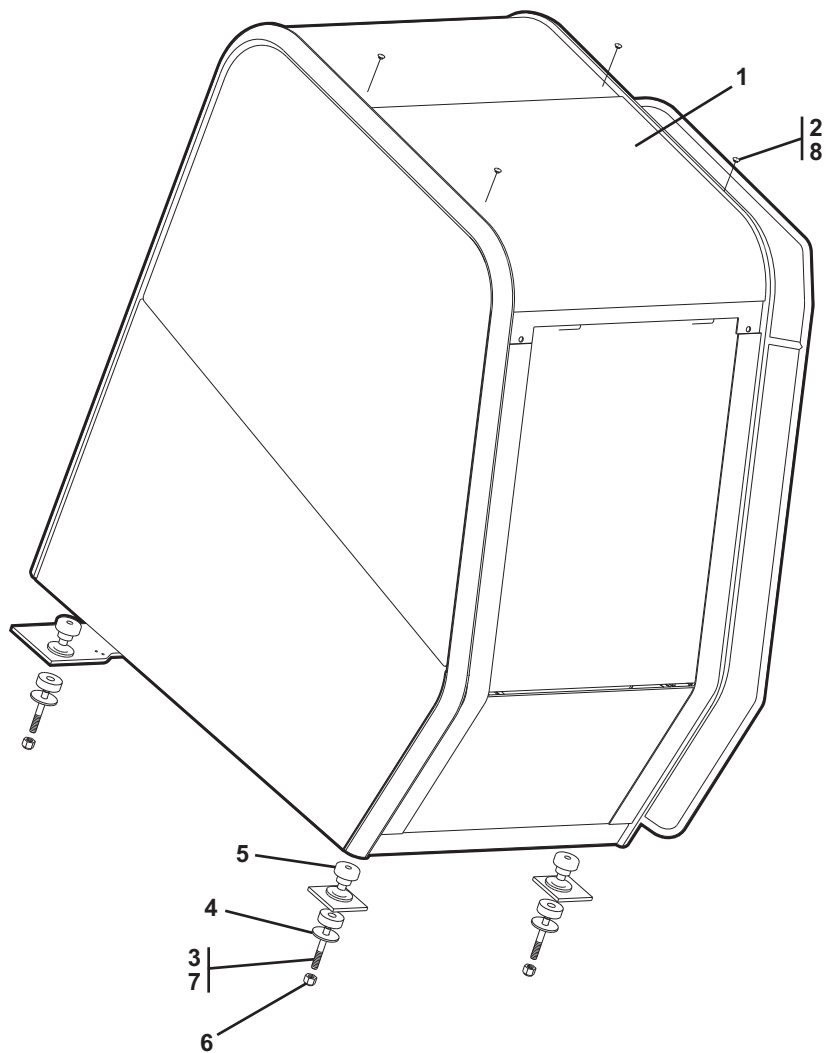
Boom Installation Components

Item	Part Number	Qty.	Description	Rev.
1	88201067	6	HEX HD CAPSCREW, 1/2-13X1-1/2, GR5, (torque to 68-73 lb-ft)	
2	80321089	6	SPECIAL WASHER	
3	80526006	2	PIN WELDMENT	
4	88743041	2	MALE ELBOW, 90 DEGREES, 1/8X1/4 TUBE	
5	80326011	2	PIN WELDMENT	
6	3576490	1	LOCATOR PLATE	
7	80223034	2	WHIZ-LOK SCREW, 1/2-13X3/4	
8	80626014	2	PIN WELDMENT	
9	88671001	2	LUBE FITTING, STRAIGHT, 1/8	
10	80623016	2	BULKHEAD ADAPTER	
11	2754860	1	GREASE HOSE	
12	84719898	1	GREASE HOSE	
13	88671018	2	LUBE FITTING, 45 DEGREES, 1/8	
14	88691302	2	CONNECTOR	
15		Ref	BOOM CRADLE WELDMENT, (see page 2-2 for details)	
16		Ref	HOIST CYLINDER ASSY, (see page 9-2 for details)	

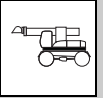


FRAME & ATTACHING PARTS

Cab Installation Components, XL3300III, XL4300III & XL5300III

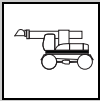


FRAME & ATTACHING PARTS



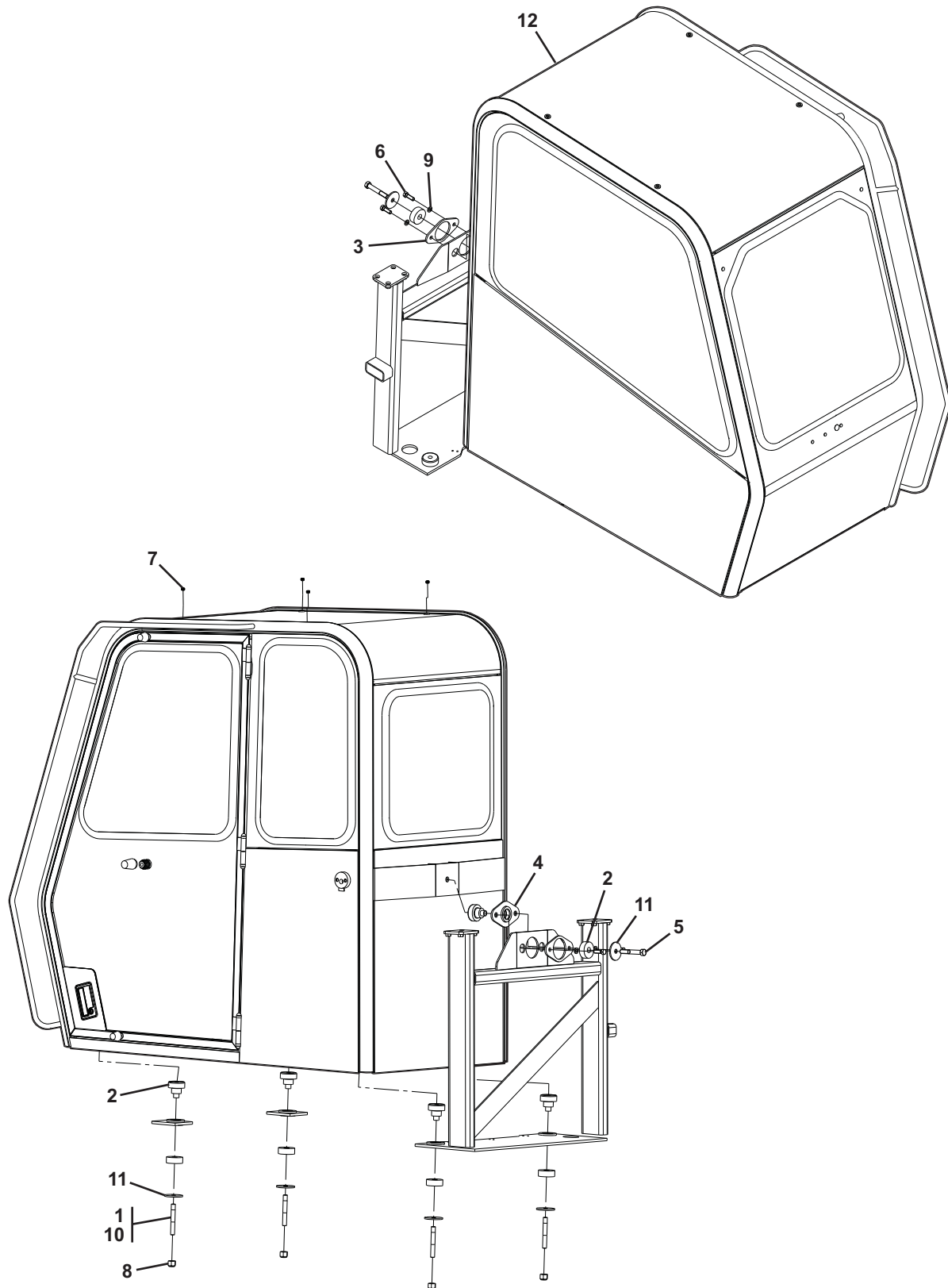
Cab Installation Components, XL3300III, XL4300III & XL5300III

Item	Part Number	Qty.	Description	Rev.
1		Ref	OPERATORS CAB, (see page 6-2 for details)	
2	88991024	4	PUSH PLUG, 1/2	
3	88681394	4	STUD, 5/8-11X4-3/4, GR5	
4	77381205	4	SPECIAL WASHER	
5	80383060	4	SHOCK MOUNT	
6	88521010	4	HEX LOCKNUT, 5/8-11, (loctite & torque to 140-155 lb-ft)	
7	14403364	A/R	LOCTITE, (#242 blue)	
8	14404173	A/R	CAULK	



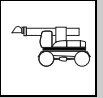
FRAME & ATTACHING PARTS

Cab Installation Components, XL3310III, XL3320III, XL4310III, XL4320III, XL5310III & XL5320III



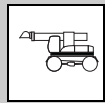
PAD2131

FRAME & ATTACHING PARTS



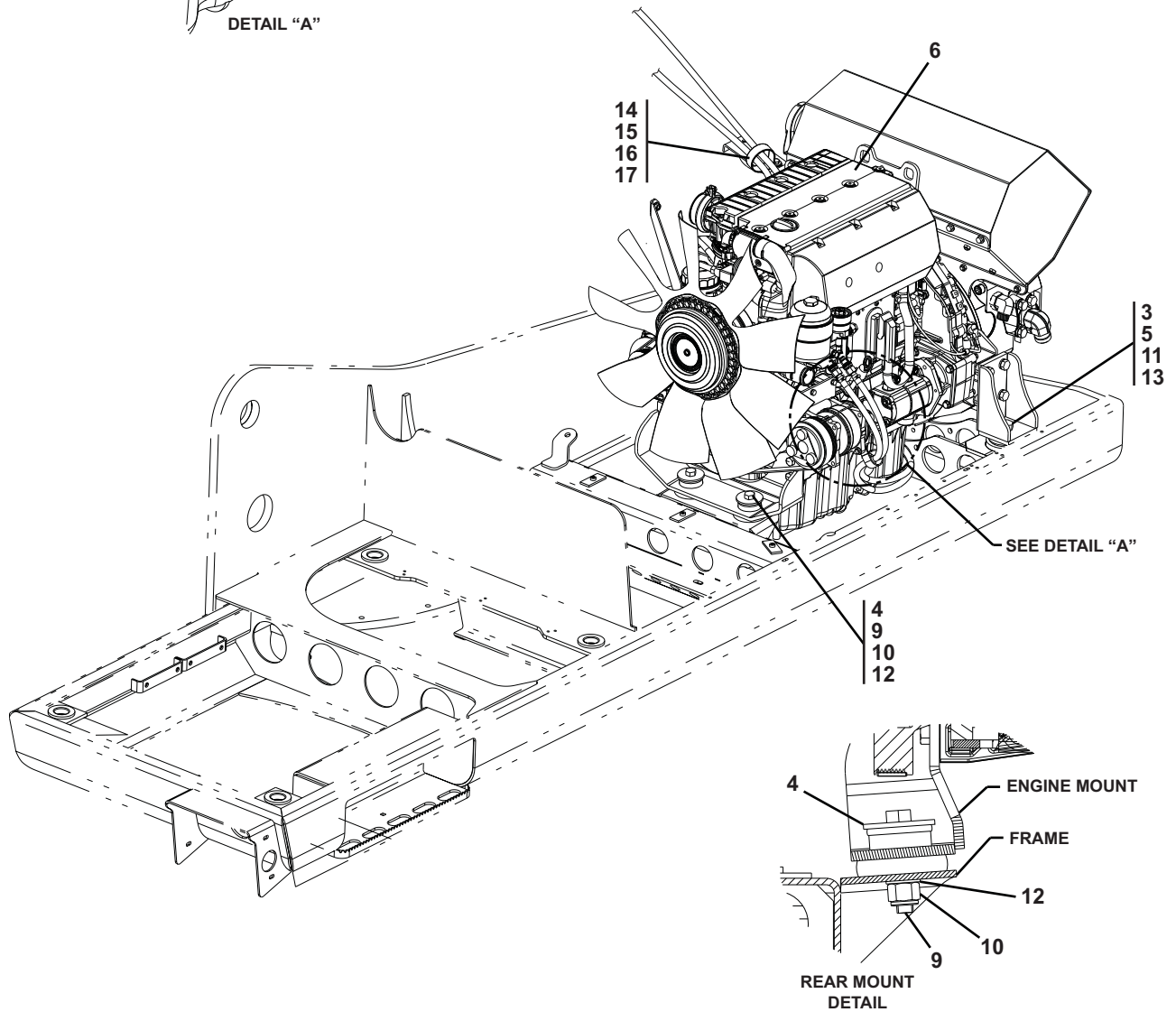
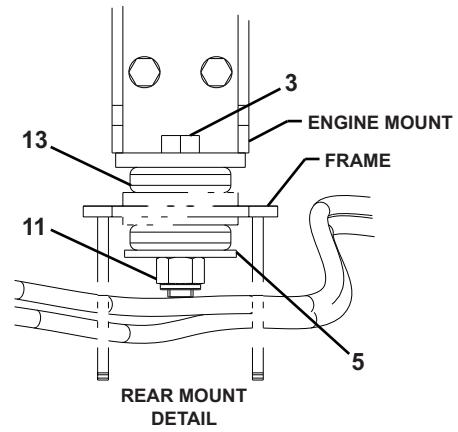
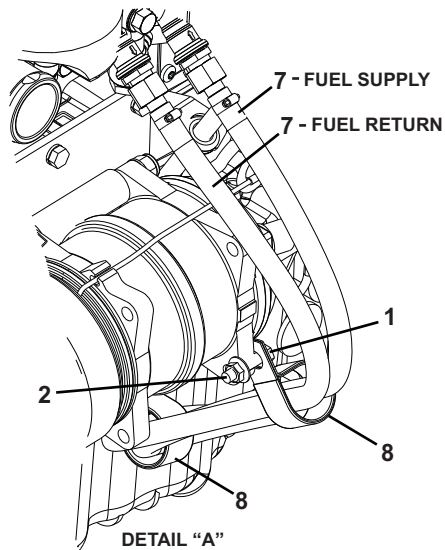
Cab Installation Components, XL3310III, XL3320III, XL4310III, XL4320III, XL5310III & XL5320III

Item	Part Number	Qty.	Description	Rev.
1	14403364	AR	LOCTITE, (#242 blue)	
2	80383060	5	SHOCK MOUNT	
3	80741032	1	CAB MOUNT FLANGE PLATE	
4	80746009	1	CAB MOUNT FLANGE WELDMENT	
5	83201044	1	HEX HD CAPSCREW, 5/8-11X4, GR8, (torque to 200-215 lb-ft)	
6	83201160	2	HEX HD CAPSCREW, 1/2-13X1-1/2, GR8, (torque to 100-110 lb-ft)	
7	88221104	4	SOCKET HD SET SCREW, 1/2-13X3/8, (cup point)	
8	88521010	4	HEX NUT, 5/8-11	
9	88551013	2	LOCKWASHER, 1/2	
10	88681394	4	STUD, 5/8-11X4-3/4, GR5	
11	77381205	5	SPECIAL WASHER	
12		Ref	OPERATORS CAB, (see page 6-4 for details)	

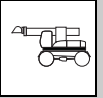


FRAME & ATTACHING PARTS

Power Unit Installation

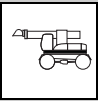


FRAME & ATTACHING PARTS



Power Unit Installation

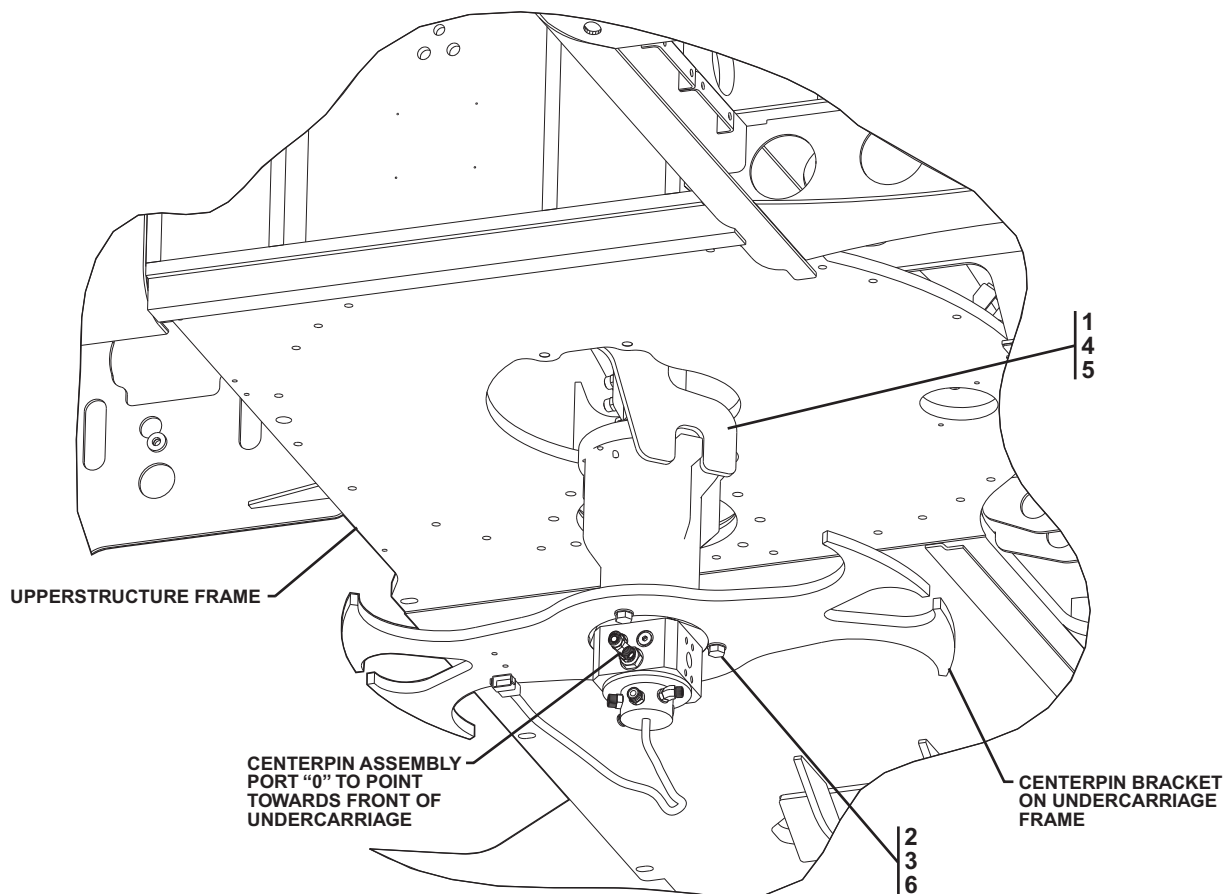
Item	Part Number	Qty.	Description	Rev.
1	77143004	1	WHIZ-LOK SCREW, 5/16-18X1-1/4	
2	77143006	1	WHIZ-LOK NUT, 5/16-18	
3	77321274	2	HEX HD CAPSCREW, 7/8-9X5, GR8	
4	77381205	2	SPECIAL WASHER	
5	80373049	2	REBOUND WASHER	
6		Ref	POWER UNIT ASSY, (see page 4-2 for details)	
7	83483497	2	WORM CLAMP	
8	85841150	1	SUPPORT CLAMP, 1-1/2	
9	88201103	2	HEX HD CAPSCREW, 5/8-11X3-1/2, GR5	
10	88521210	2	HEX LOCKNUT, 5/8-11	
11	88521214	2	HEX LOCKNUT, 7/8-11	
12	88561113	2	FLAT WASHER, 5/8	
13	91333003	2	SHOCK MOUNT	
14	80973050	1	SUPPORT CLAMP, 2-5/8	
15	88201034	1	HEX HD CAPSCREW, 3/8-16X7/8, GR5	
16	88561004	1	FLAT WASHER, 3/8	
17	77143015	1	WHIZ-LOK NUT, 3/8-16	



FRAME & ATTACHING PARTS

Before S/N's
XL3300III - 3300000706
XL4300III - 4300000065; XL4310III - 4310000004

Center Pin Installation



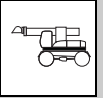
USE CENTER PIN INSTALLATION LOCATED ON PAGE 1-66
FOR THE FOLLOWING MACHINES:

S/N 3300000689
S/N 3300000690
S/N 3300000691
S/N 3300000692
S/N 3300000693
S/N 4300000048
S/N 4300000049
S/N 4300000050
S/N 4300000051

PAD1190

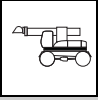
Before S/N's
 XL3300III - 3300000706
 XL4300III - 4300000065; XL4310III - 4310000004

FRAME & ATTACHING PARTS



Center Pin Installation

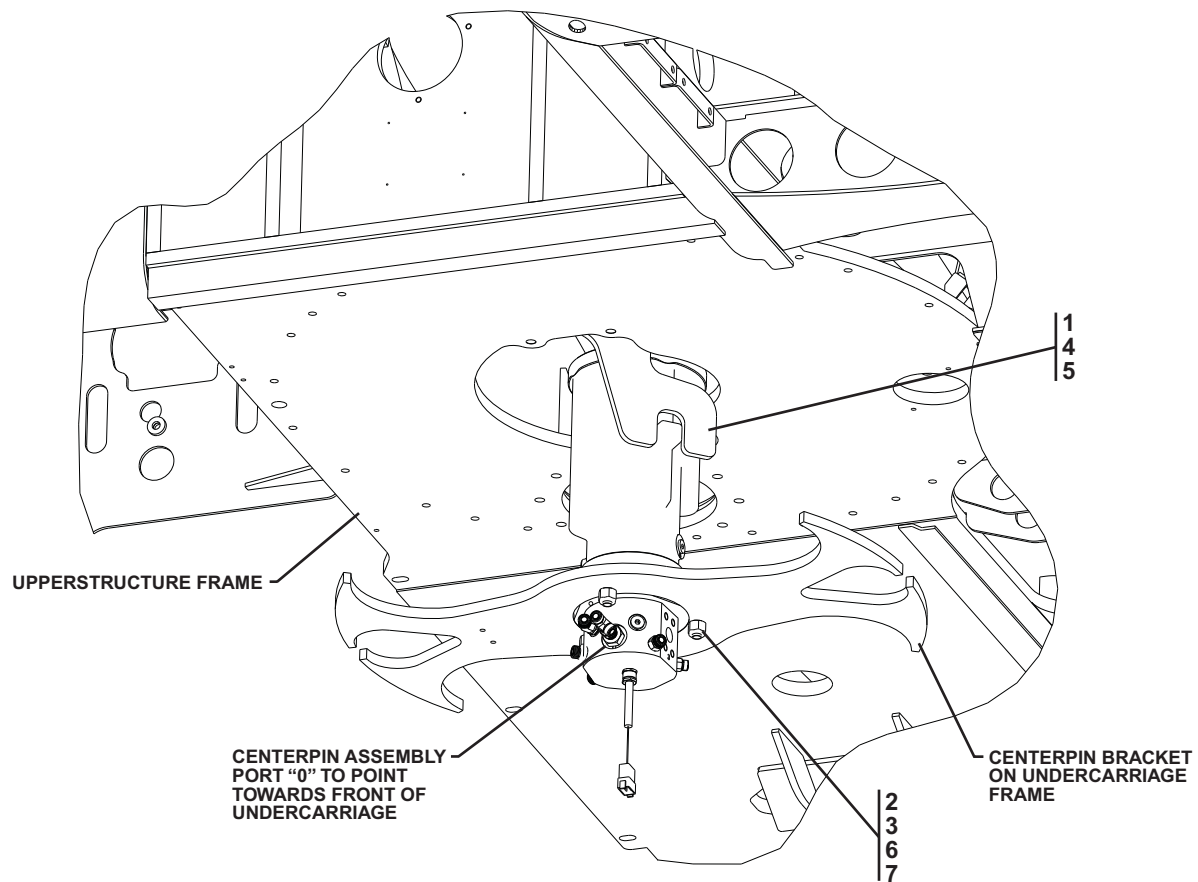
Item	Part Number	Qty.	Description	Rev.
1	80436007	1	STABILIZER WELDMENT	
2	83191043	3	HEX HD CAPSCREW, 16-2X30, GR8.8	
3	80333125	3	FLAT WASHER, M16	
4	88201110	2	HEX HD CAPSCREW, 3/4-10X1-3/4, GR5	
5	90027473	2	HARD WASHER, .813X1.50X.134	
6	14403364	A/R	LOCTITE, #242, (blue)	



FRAME & ATTACHING PARTS

After (& including) S/N's
XL3300III - 3300000706; XL3310III - 3310000001;
XL3320III - 3320000001; XL4300III - 4300000065;
XL4310III - 4310000004; XL4320III - 4320000001;
XL5300III - 5300000001; XL5310III - 5310000001;
XL5320III - 5320000001

Center Pin Installation



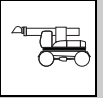
**THIS CENTER PIN INSTALLATION ALSO APPLIES
TO THE FOLLOWING MACHINES:**

S/N 3300000689
S/N 3300000690
S/N 3300000691
S/N 3300000692
S/N 3300000693
S/N 4300000048
S/N 4300000049
S/N 4300000050
S/N 4300000051

PAD3140

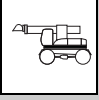
After (& including) S/N's
 XL3300III - 3300000706; XL3310III - 3310000001;
 XL3320III - 3320000001; XL4300III - 4300000065;
 XL4310III - 4310000004; XL4320III - 4320000001;
 XL5300III - 5300000001; XL5310III - 5310000001;
 XL5320III - 5320000001

FRAME & ATTACHING PARTS



Center Pin Installation

Item	Part Number	Qty.	Description	Rev.
1	80436007	1	STABILIZER WELDMENT	
2	83201062	3	HEX HD CAPSCREW, 5/8-11X2-1/4, GR8	
3	90027472	3	HARDENED WASHER	
4	88201110	2	HEX HD CAPSCREW, 3/4-10X1-3/4, GR5	
5	90027473	2	HARD WASHER, .813X1.50X.134	
6	14403364	A/R	LOCTITE, #242, (blue)	
7	88521210	3	HEX LOCKNUT, 5/8-11	



FRAME & ATTACHING PARTS

This Page Intentionally Left Blank